

## 7. Parts catalog

### How to use this parts catalog

The following legend is used in the parts catalog:

Asm-index	Part number	Units/mach - OR - Units/option	Units/ FRU	Description
-----------	-------------	--------------------------------------	---------------	-------------

- **Asm-index:** Identifies the assembly and the item in the diagram. For example, 3-1 indicates Assembly 3 and item number 1 in the table.
- **Part number:** Refers to the unique number that identifies the FRU.
- **Units/mach:** Refers to the number of units actually used in the base machine or product.
- **Units/option:** Refers to the number of units in a particular option. It does not include the rest of the base machine.
- **Units/FRU:** Refers to the number of units packaged together and identified by the part number.
- **NS:** (Not shown) in the Asm-Index column indicates that the part is procurable but is not pictured in the illustration.
- **PP:** (Parts Packet) in the parts description column indicates the part is contained in a parts packet.
- Model information used in the parts catalog:

Model name	Machine type and model	Description
Lexmark C950	5058-030	Network/duplex A3 color laser printer

Previous



Next



Go Back

## Assembly 1: Operator panel covers (SFP)

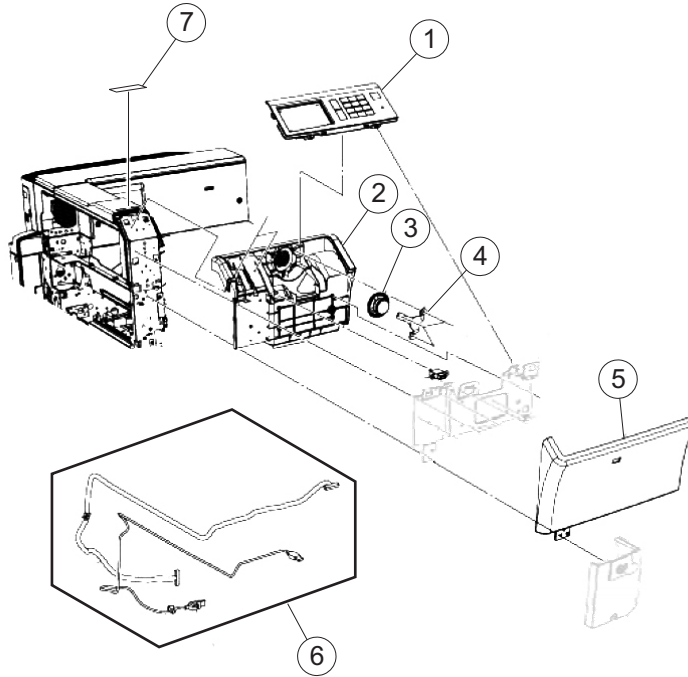
Previous



Next

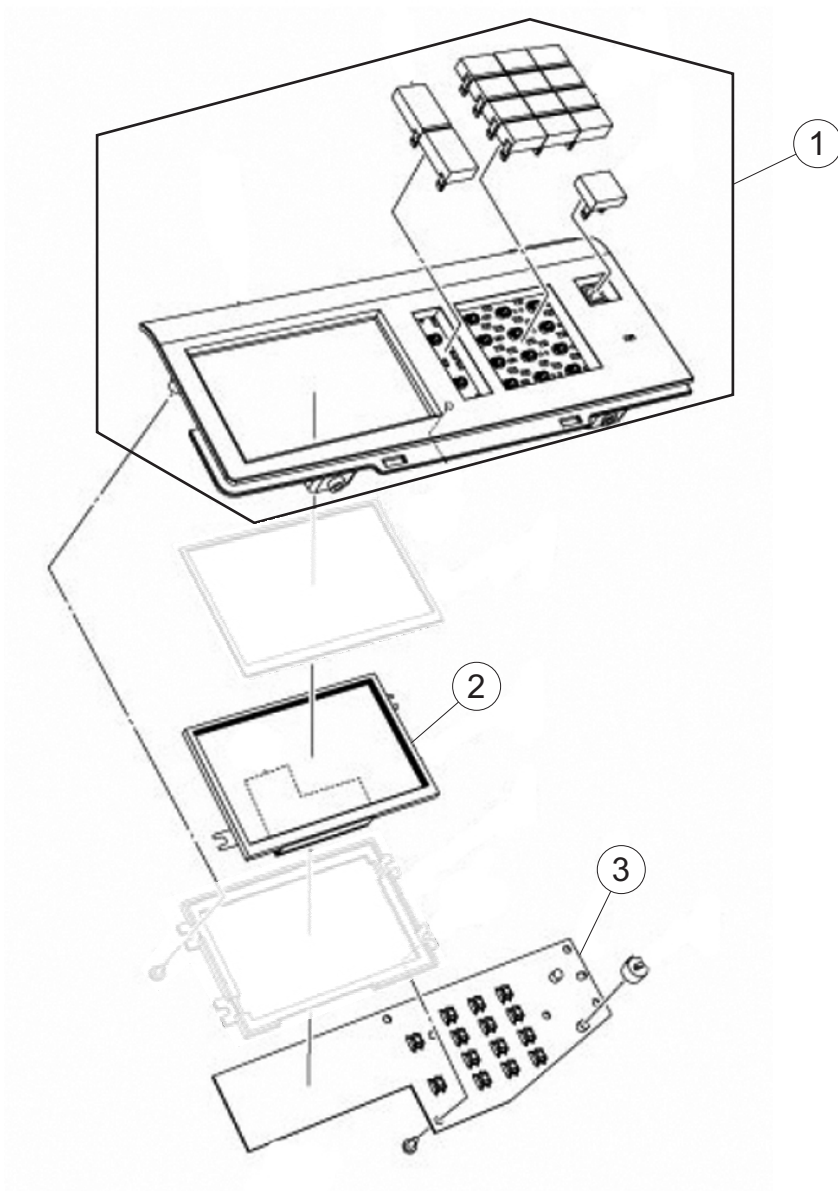


Go Back



Asm-index	Part number	Units/mach	Units/FRU	Description
1-1	40X6990	1	1	Operator panel (SFP)
2	40X6992	1	1	Operator panel housing (SFP)
3	40X6993	1	1	Operator panel speaker
4	40X7463	1	1	Speaker holder
5	40X6991	1	1	Operator panel front cover (SFP)
6	40X7467	1	1	Operator panel cable kit (SFP) <ul style="list-style-type: none"> <li>• Operator panel cable</li> <li>• USB cable</li> </ul>
7	40X6996	1	1	C950 model bezel

## Assembly 2: Operator panel (SFP)



Previous



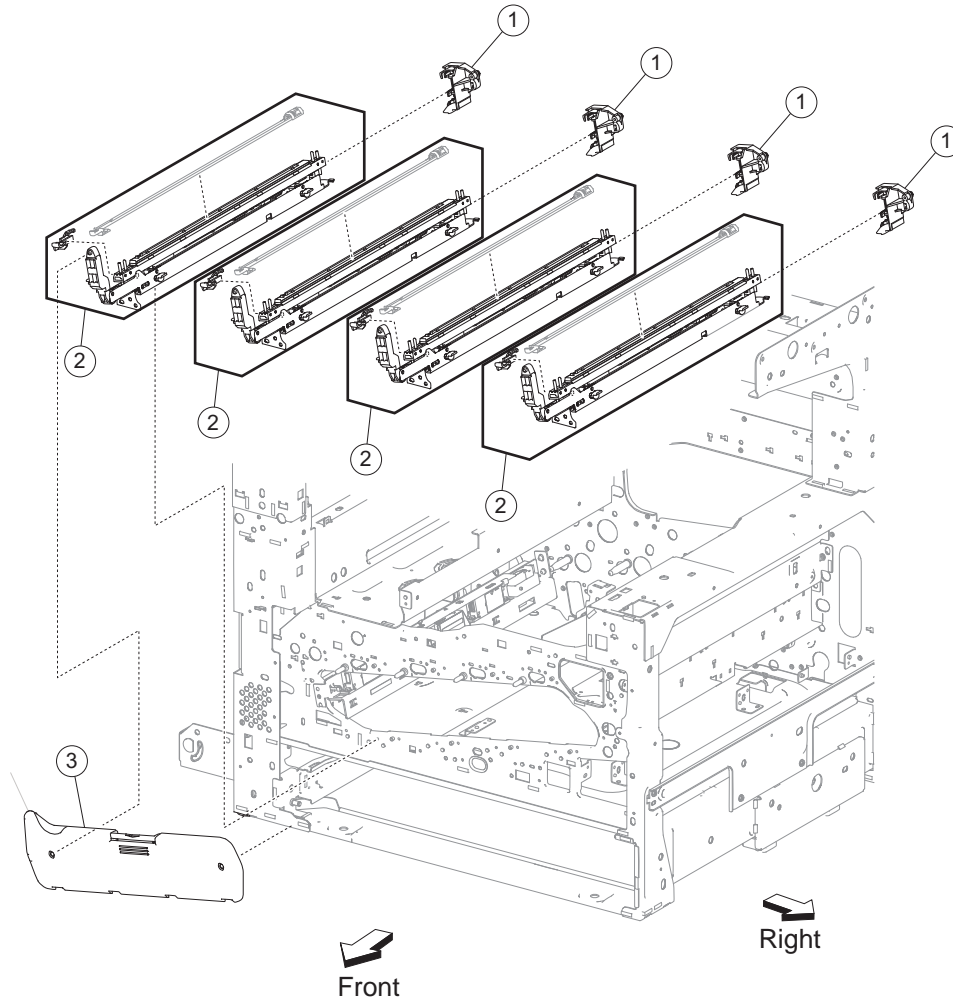
Next



Go Back

Asm-index	Part number	Units/mach	Units/FRU	Description
2-1	40X7059	1		SFP operator panel top cover
2	40X7116	1	1	SFP touch screen
3	40X7095	1	1	SFP operator panel PCBA

### Assembly 3: Printhead 1



Previous



Next

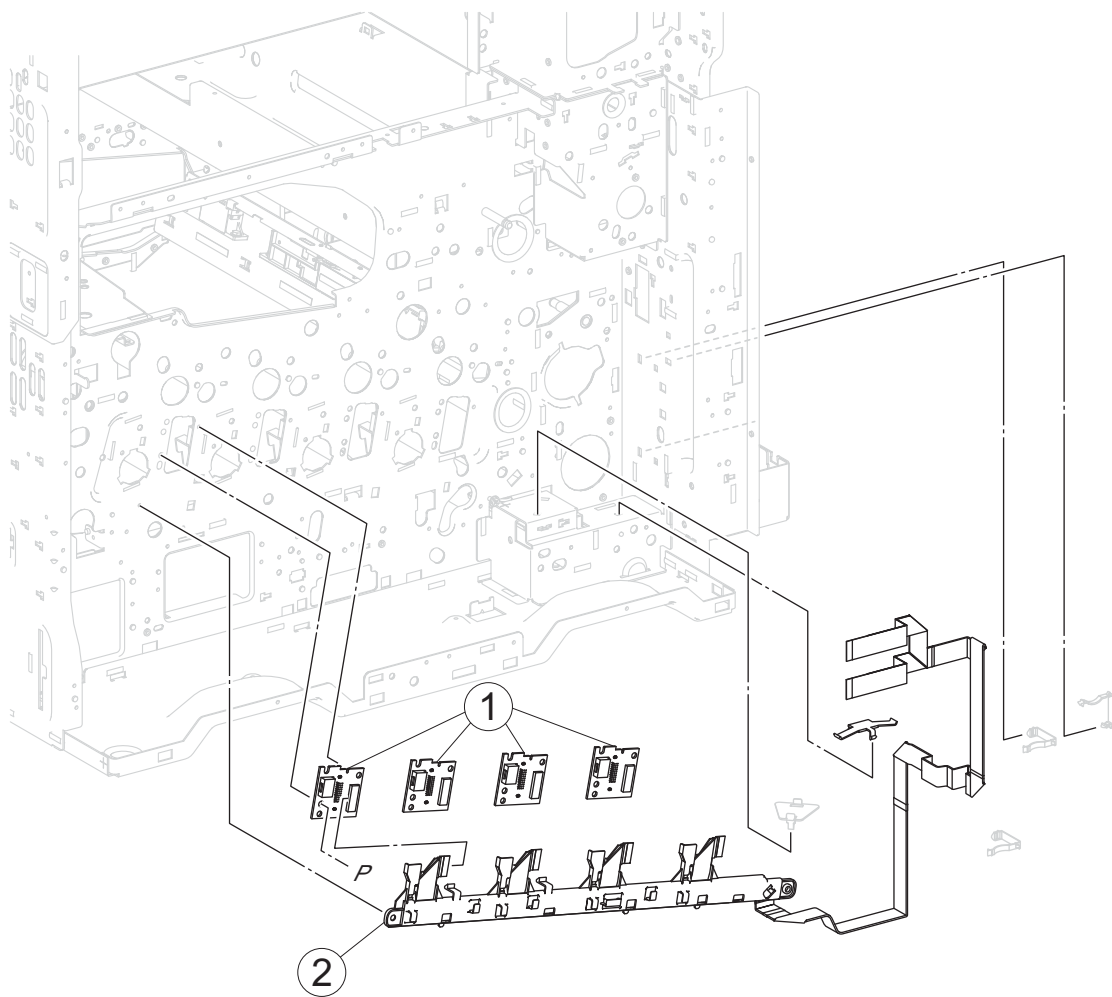


Go Back

Asm-index	Part number	Units/mach	Units/FRU	Description
3-1	40X6565	4	1	Printhead rear block
2	40X6566	4	1	LED printhead
3	40X6567	1	1	Printhead retract door



## Assembly 4: Printhead 2



Previous



Next

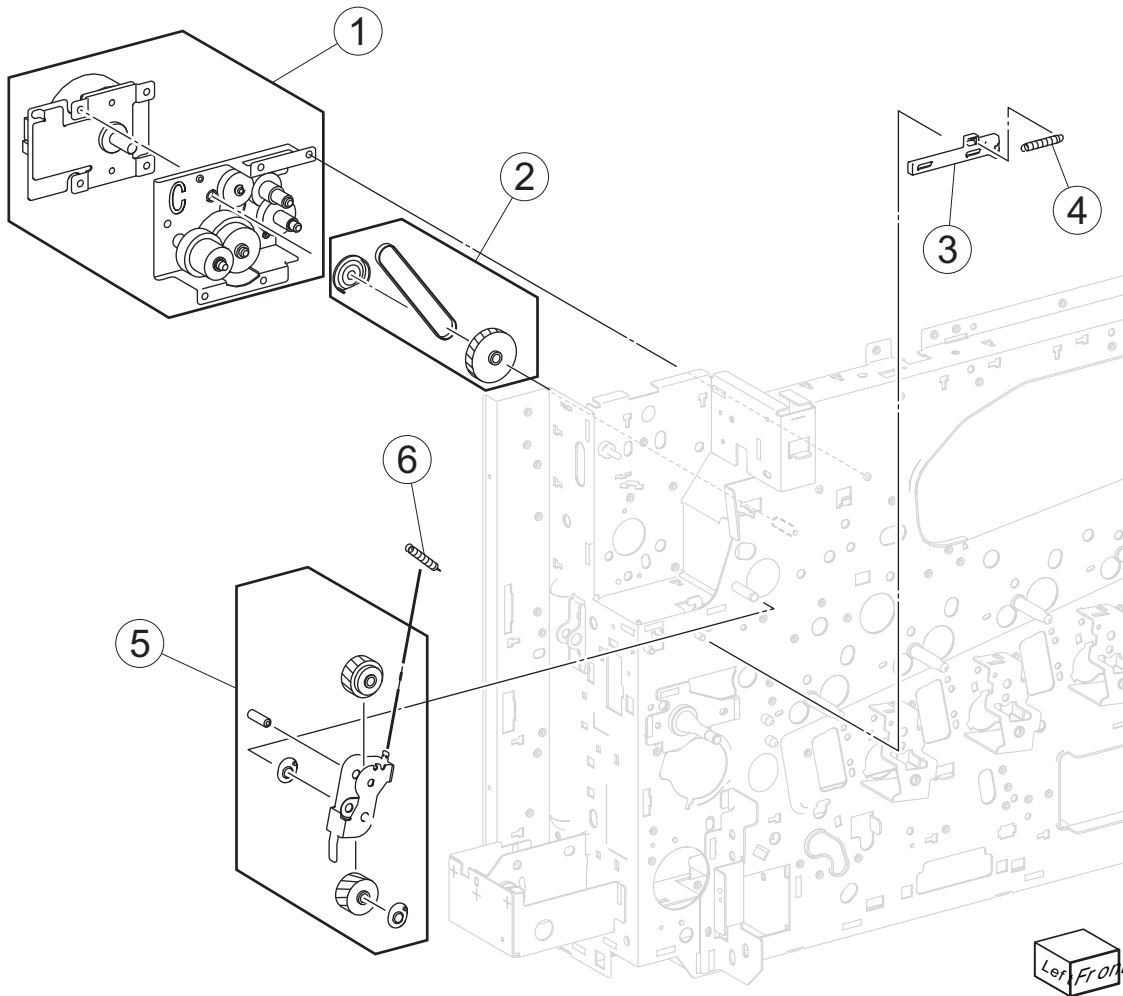


Go Back



Asm-index	Part number	Units/mach	Units/FRU	Description
4-1	40X6569	4	1	Printhead interface contact
2	40X6568	1	1	Printhead flat data cable

## Assembly 5: Drive 1



Previous



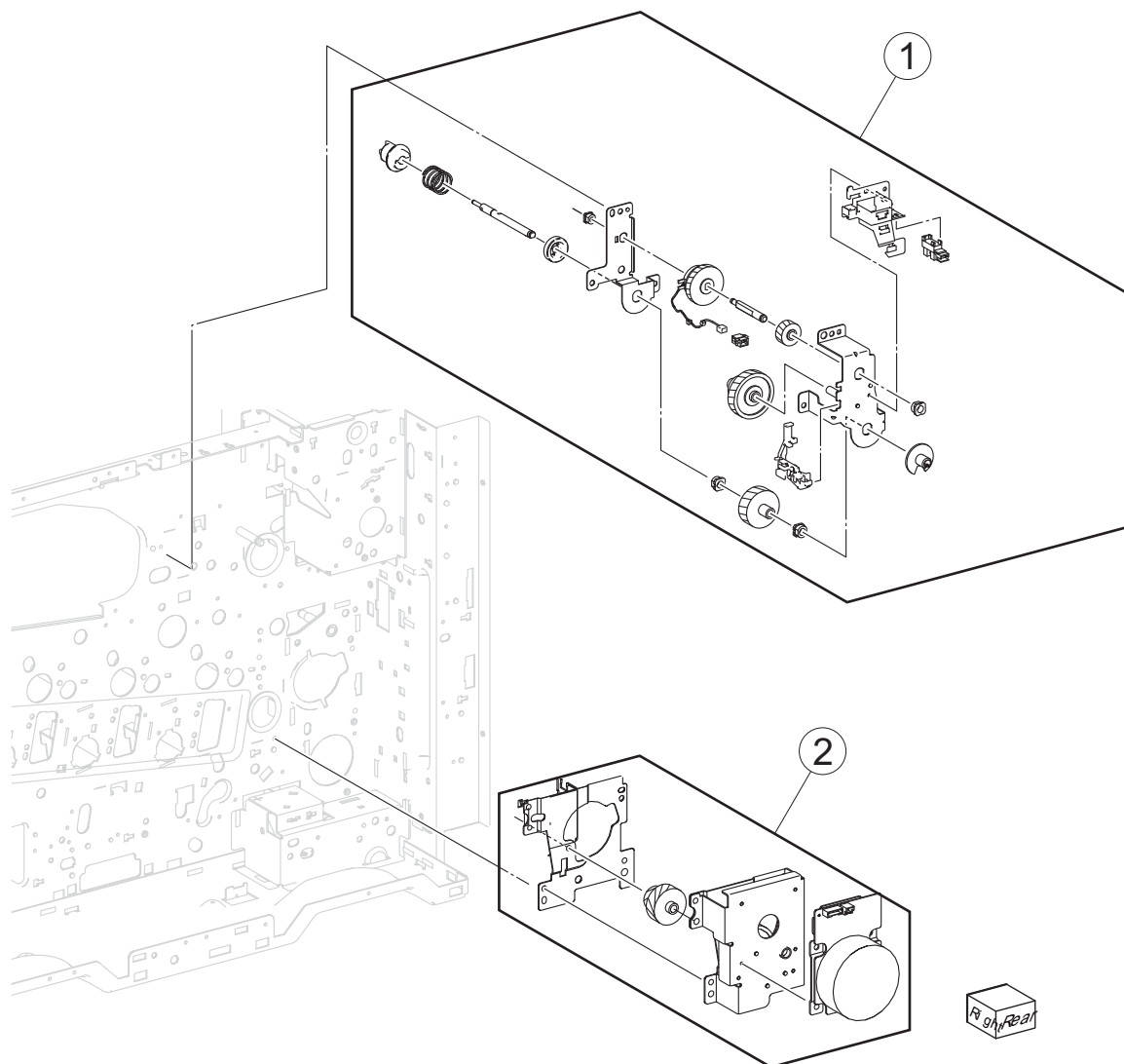
Next



Go Back

Asm-index	Part number	Units/mach	Units/FRU	Description
5-1	40X6574	1	1	Fuser drive/lower redrive/1st BTR retract motor
2	40X6575	1	1	Gear 40T/23T & belt
3	40X6572	1	1	Fuser drive release link
4	40X6573	1	1	Fuser release link spring
5	40X6570	1	1	Fuser drive release bracket
6	40X6571	1	1	Spring

## Assembly 6: Drive 2



Previous



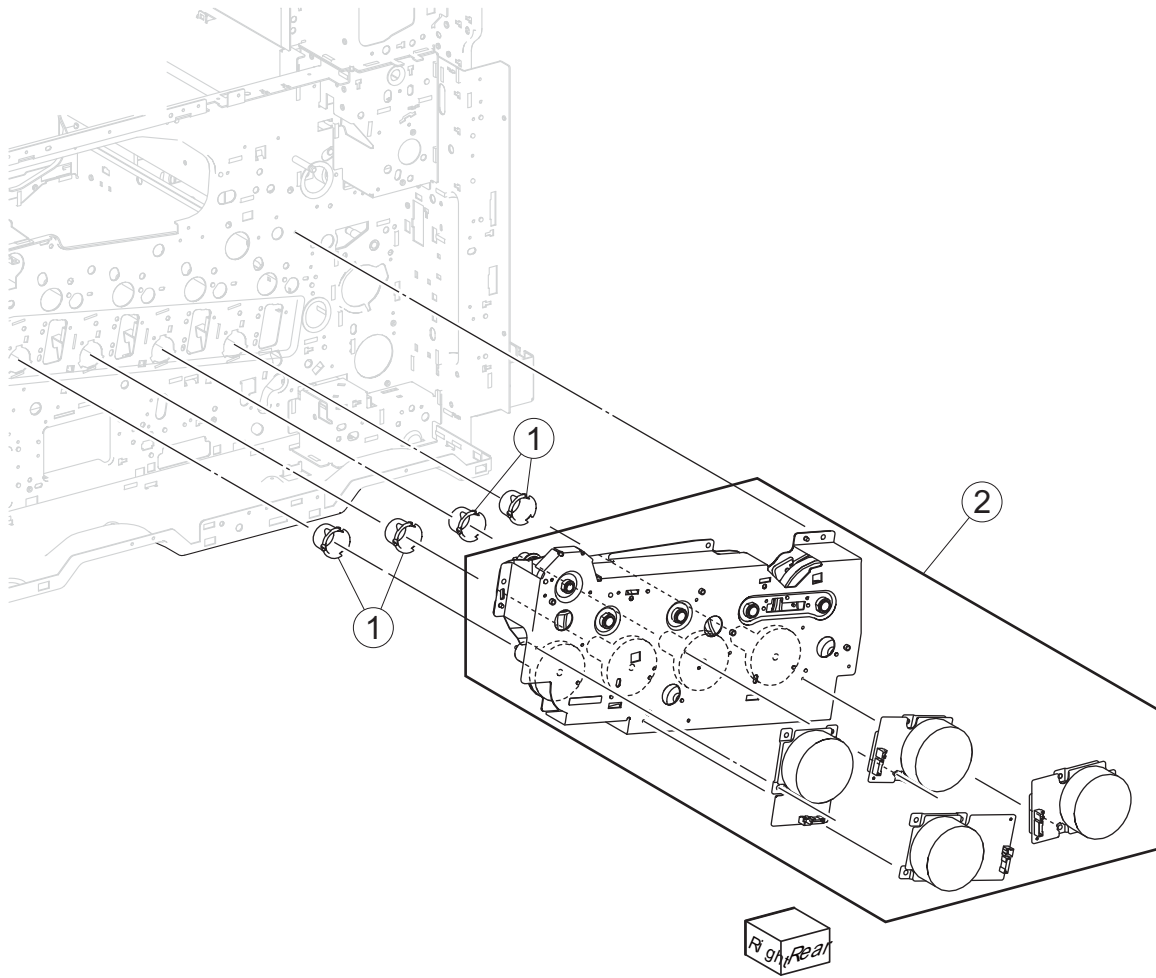
Next



Go Back

Asm-index	Part number	Units/mach	Units/FRU	Description
6-1	40X6584	1	1	1st transfer retract clutch assembly
2	40X6585	1	1	Registration drive motor

### Assembly 7: Drive 3



Previous



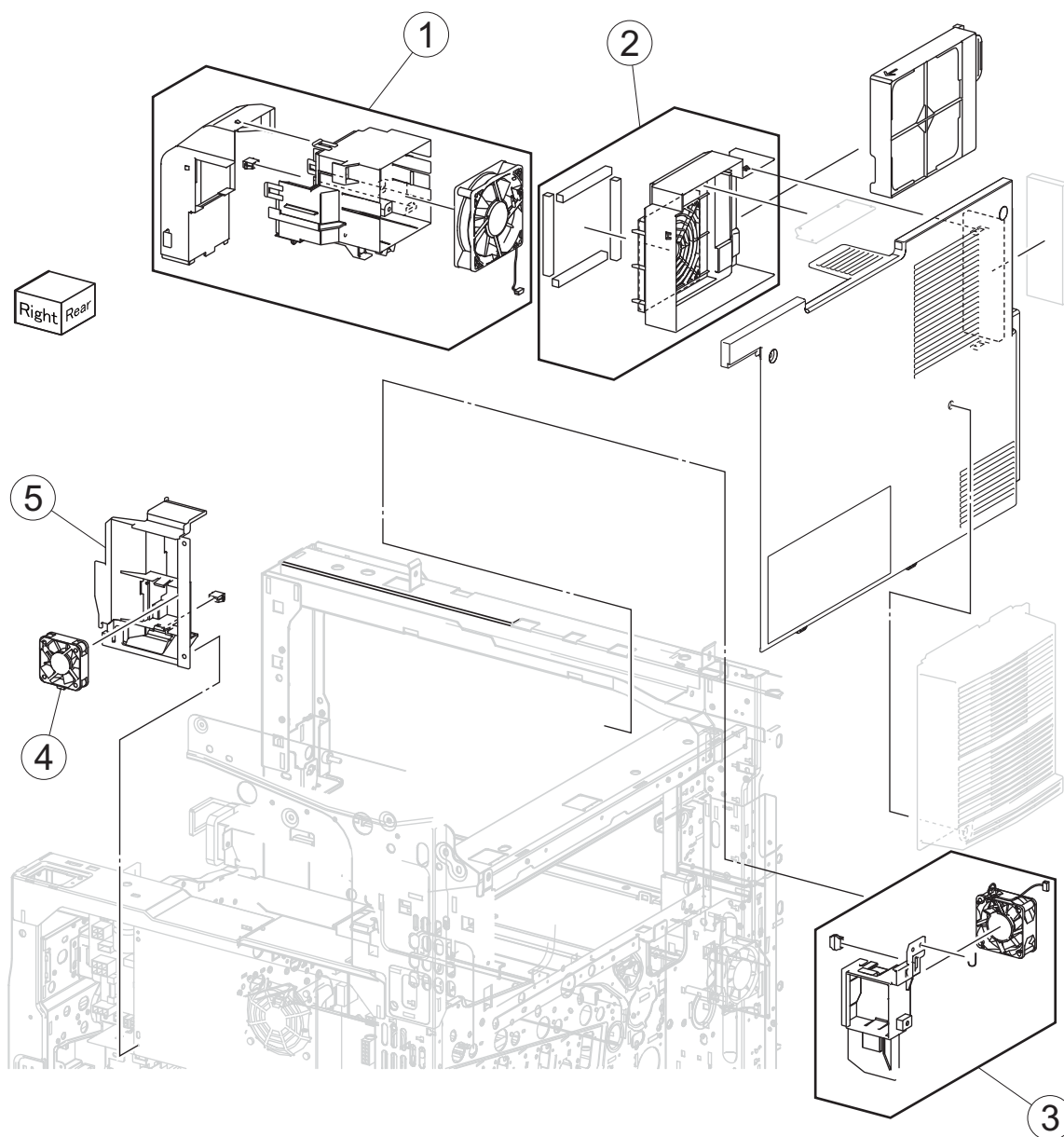
Next



Go Back

Asm-index	Part number	Units/mach	Units/FRU	Description
7-1	40X6587	4	1	Coupler
2	40X6586	1	1	PC/developer drive motor assembly

## Assembly 8: Cooling fans 1



Previous



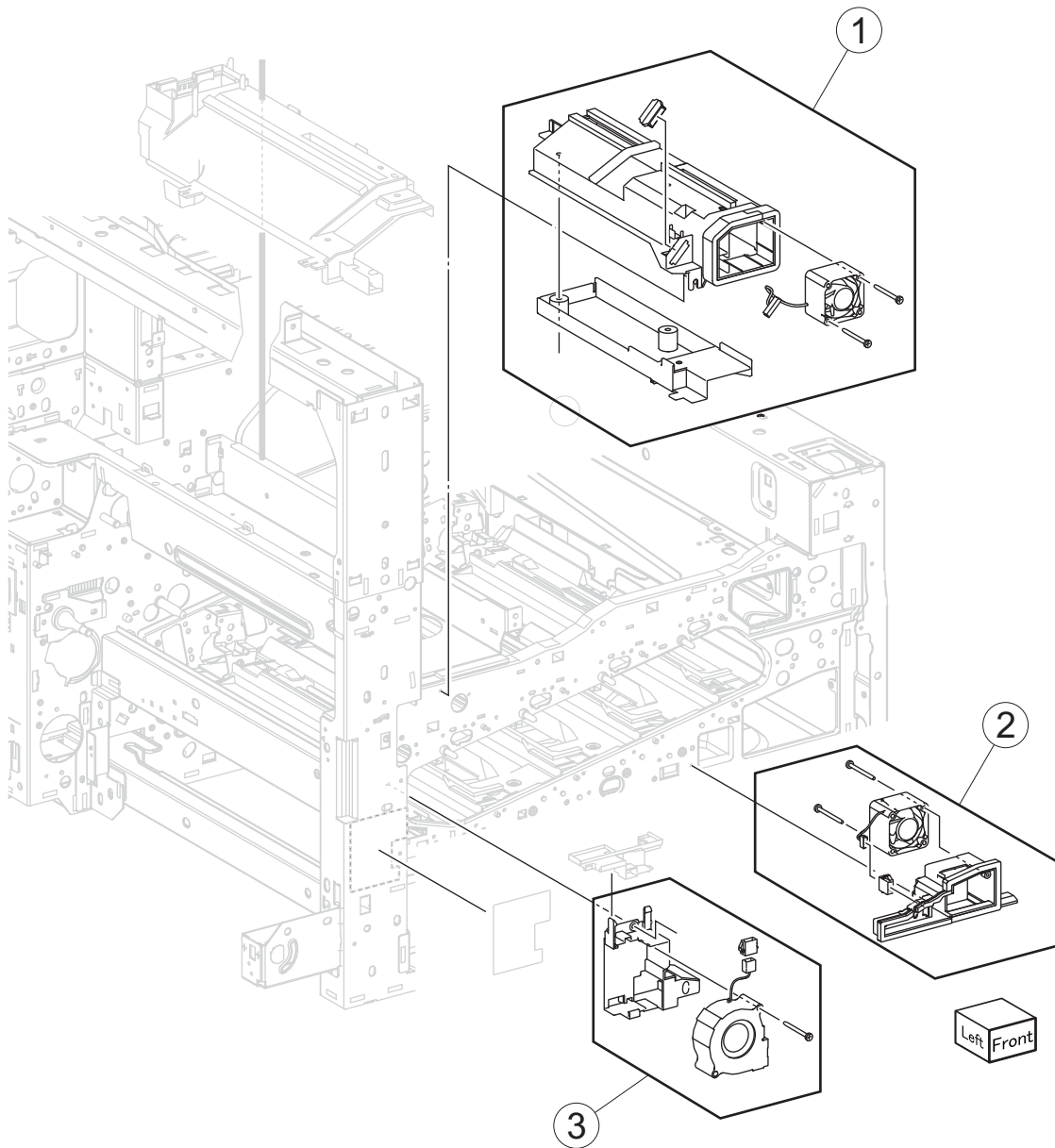
Next



Go Back

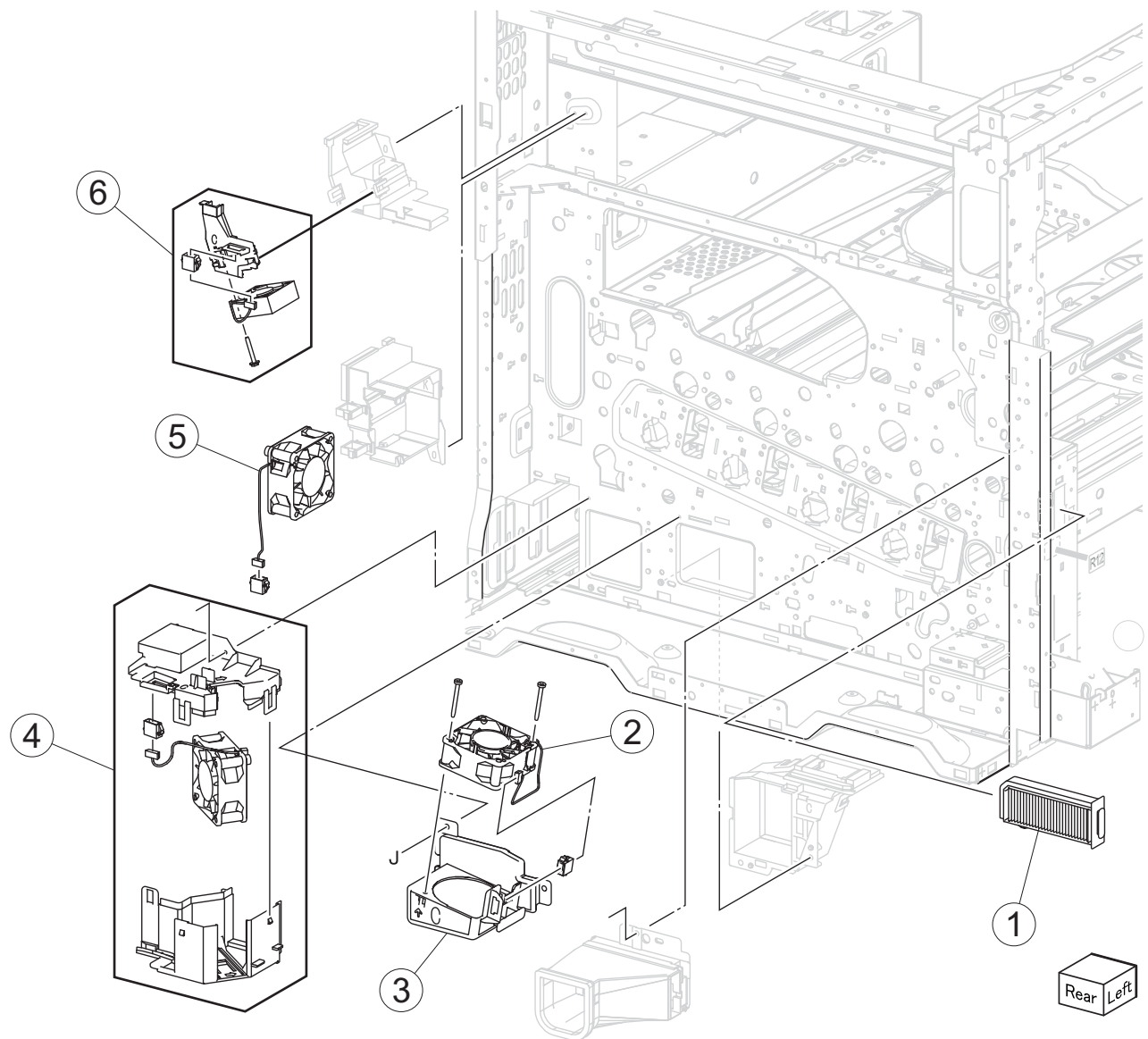
Asm-index	Part number	Units/mach	Units/FRU	Description
8-1	40X6588	1	1	Fuser cooling fan
2	40X6590	1	1	Fuser fan duct
3	40X6591	1	1	Fuser driver PCBA cooling fan
4	40X6589	1	1	LVPS sub cooling fan
5	40X6770	1	1	LVPS sub cooling duct

## Assembly 9: Cooling fans 2



Asm-index	Part number	Units/mach	Units/FRU	Description
9-1	40X6593	1	1	Front upper cooling fan
2	40X6595	1	1	Front right cooling fan
3	40X6594	1	1	Front left cooling fan

## Assembly 10: Cooling fans 3



Previous



Next



Go Back

Asm-index	Part number	Units/mach	Units/FRU	Description
10-1	40X6599	1	1	Suction filter
2	40X6596	1	1	PC/developer drive motor cooling fan
3	40X6771	1	1	Rear center duct
4	40X6597	1	1	Charge roll HVPS cooling fan
5	40X6598	1	1	Upper exhaust fan
6	40X6600	1	1	Center exhaust fan

# Assembly 11: Developer 1

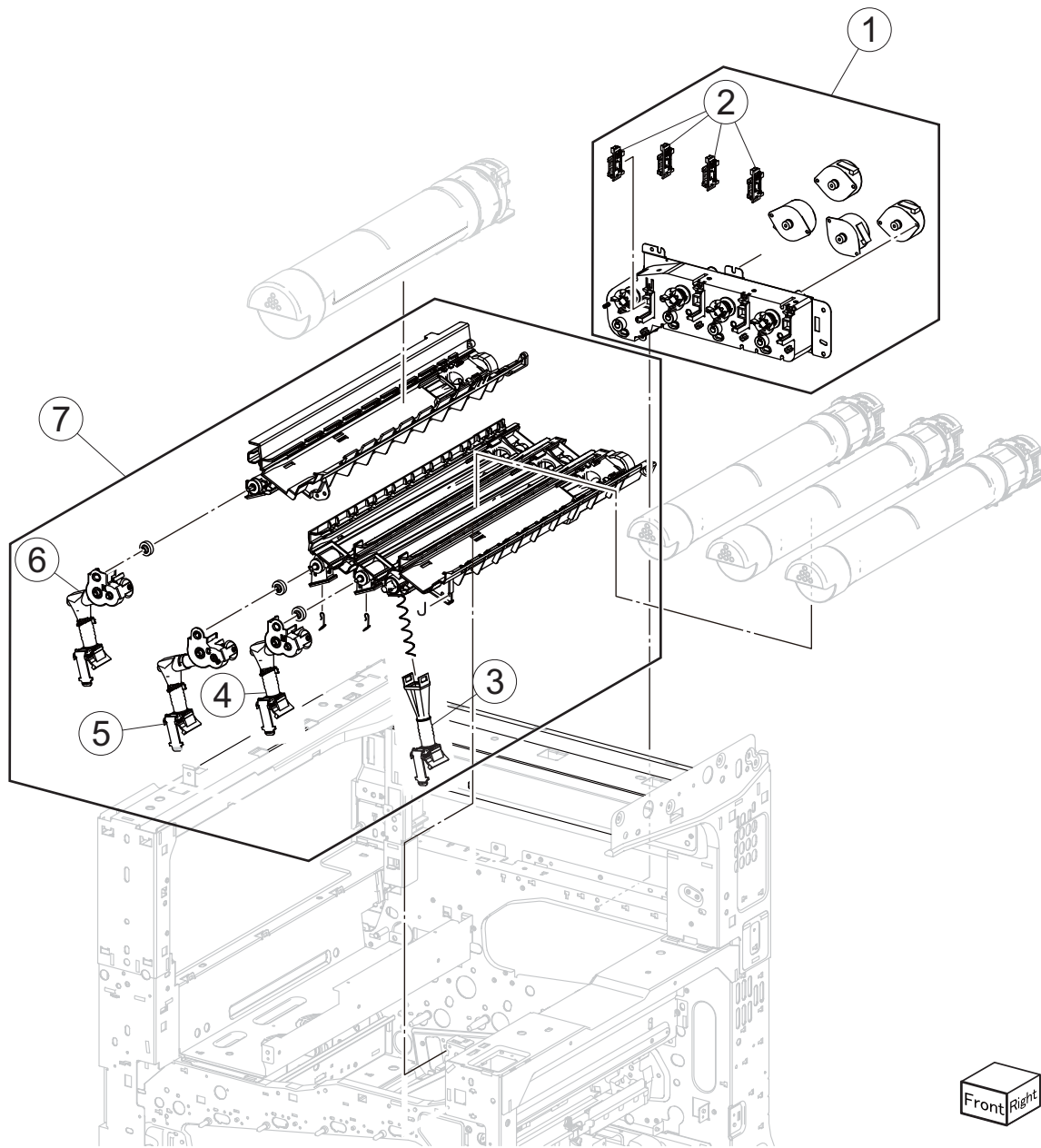
Previous



Next



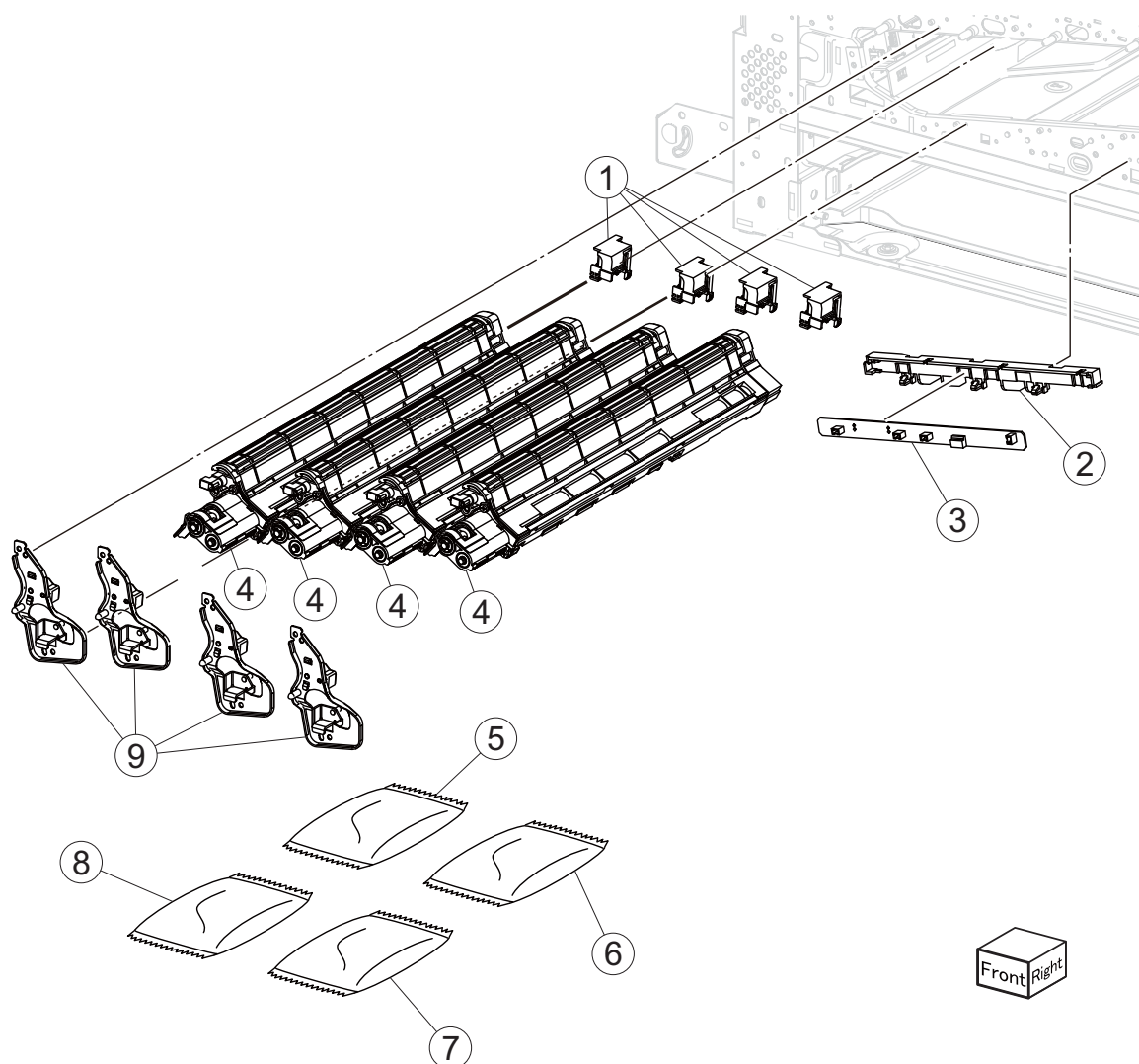
Go Back



Asm-index	Part number	Units/mach	Units/FRU	Description
11-1	40X6601	1	1	Toner dispense motor
2	40X6602	4	1	Toner smart chip PCB
3	40X6606	1	1	K toner drop auger
4	40X6605	1	1	C toner drop auger
5	40X6604	1	1	M toner drop auger
6	40X6603	1	1	Y toner drop auger
7	40X6607	1	1	CMYK toner dispense auger assembly

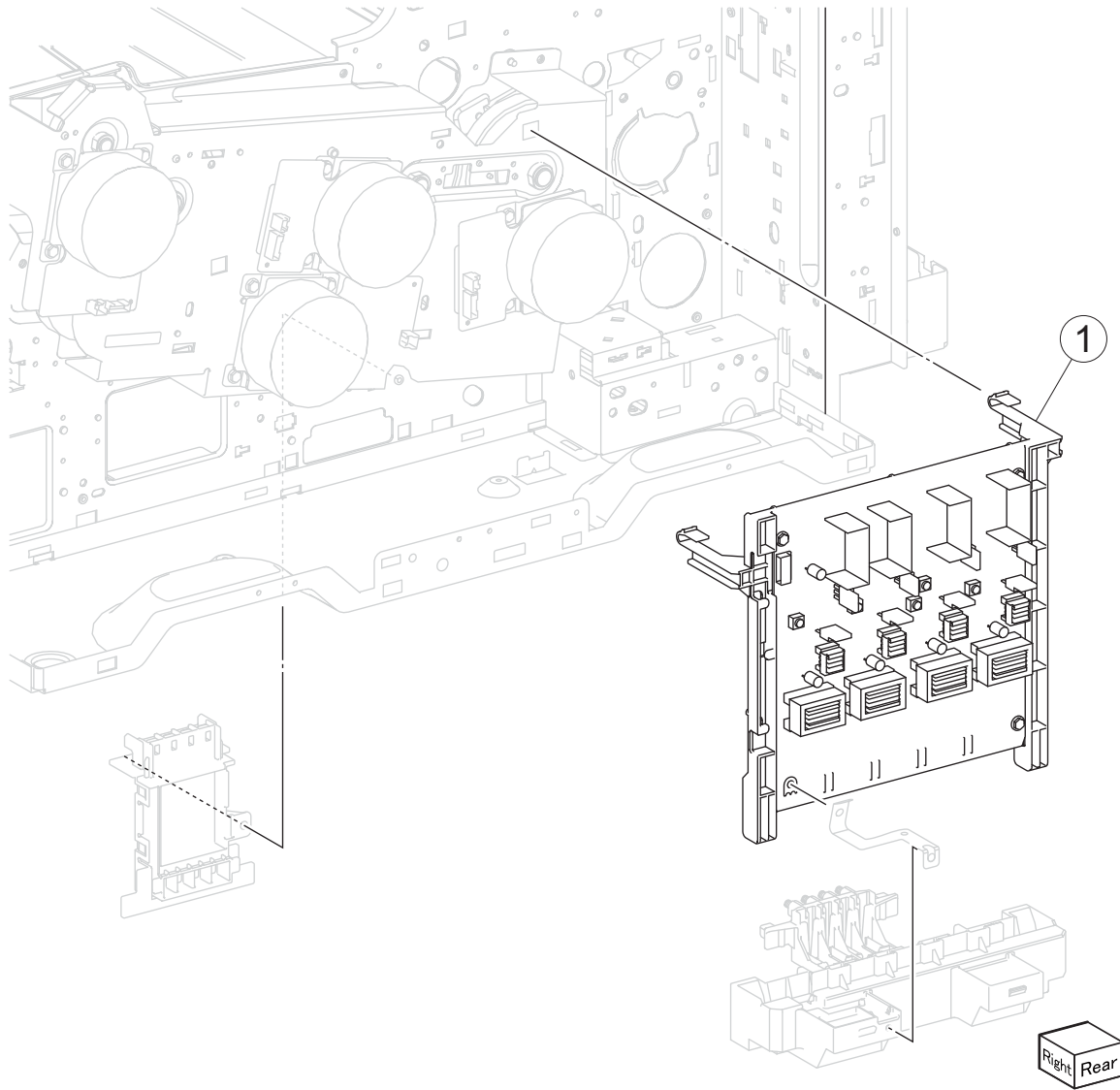


## Assembly 12: Developer 2



Asm-index	Part number	Units/mach	Units/FRU	Description
12-1	40X7332	4	1	Developer housing rear plunger
2	40X6614	1	1	ATC sensor PCB bracket
3	40X6613	1	1	ATC sensor PCB
4	40X6615	1	1	Developer housing
5	40X6609	1	1	K developer carrier
6	40X6610	1	1	C developer carrier
7	40X6612	1	1	Y developer carrier
8	40X6611	1	1	M developer carrier
9	40X6608	4	1	Developer bracket

# Assembly 13: HVPS



Previous



Next



Go Back

Asm-index	Part number	Units/mach	Units/FRU	Description
13-1	40X6619	1	1	Developer HVPS PCBA

## Assembly 14: Transfer belt 1

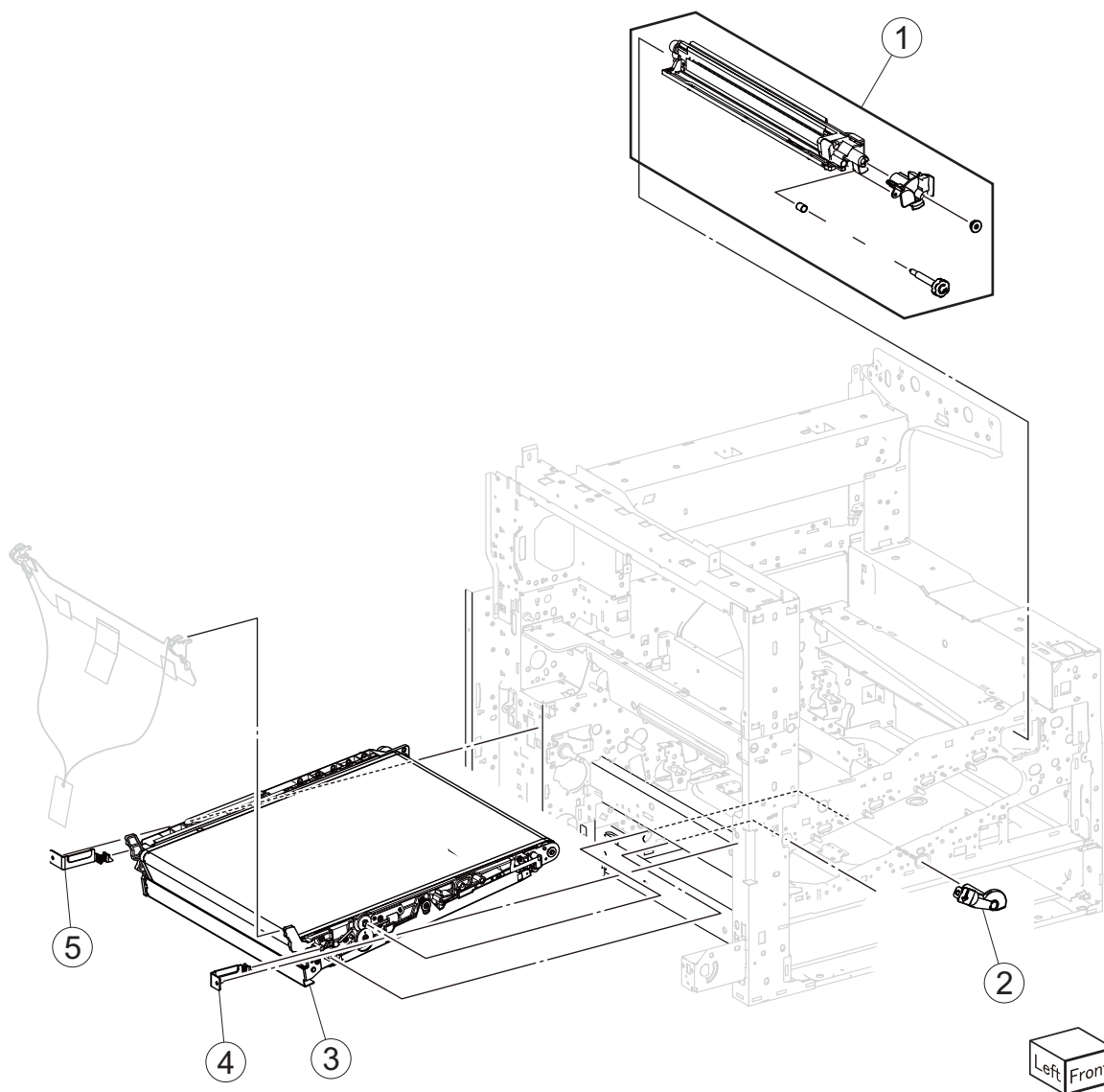
Previous



Next

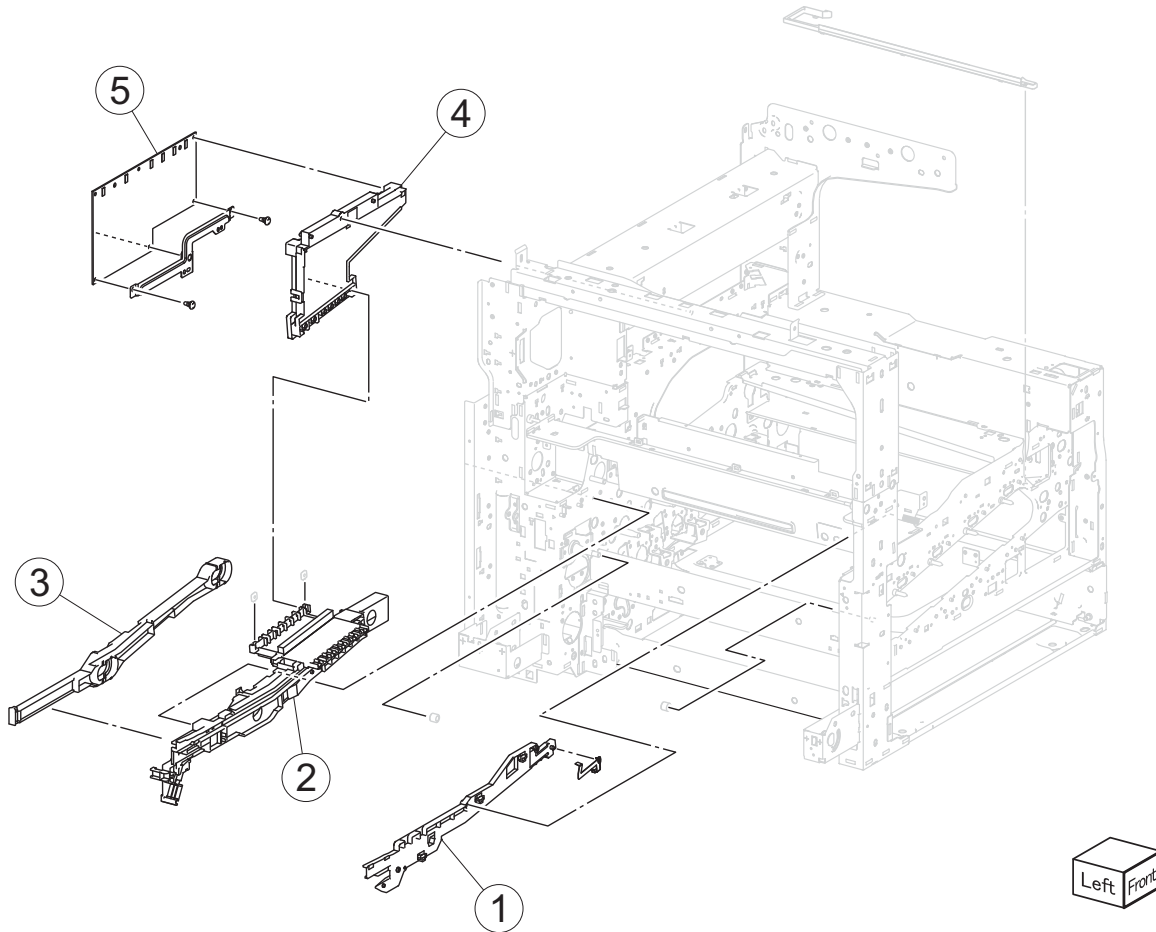


Go Back



Asm-index	Part number	Units/mach	Units/FRU	Description
14-1	40X6623	1	1	Transfer belt cleaning assembly
2	40X6622	1	1	Transfer belt lever
3	40X6624	1	1	Transfer belt assembly
4	40X6620	1	1	Front transfer belt retaining bracket
5	40X6621	1	1	Rear transfer belt retaining bracket

## Assembly 15: Transfer belt 2



Previous



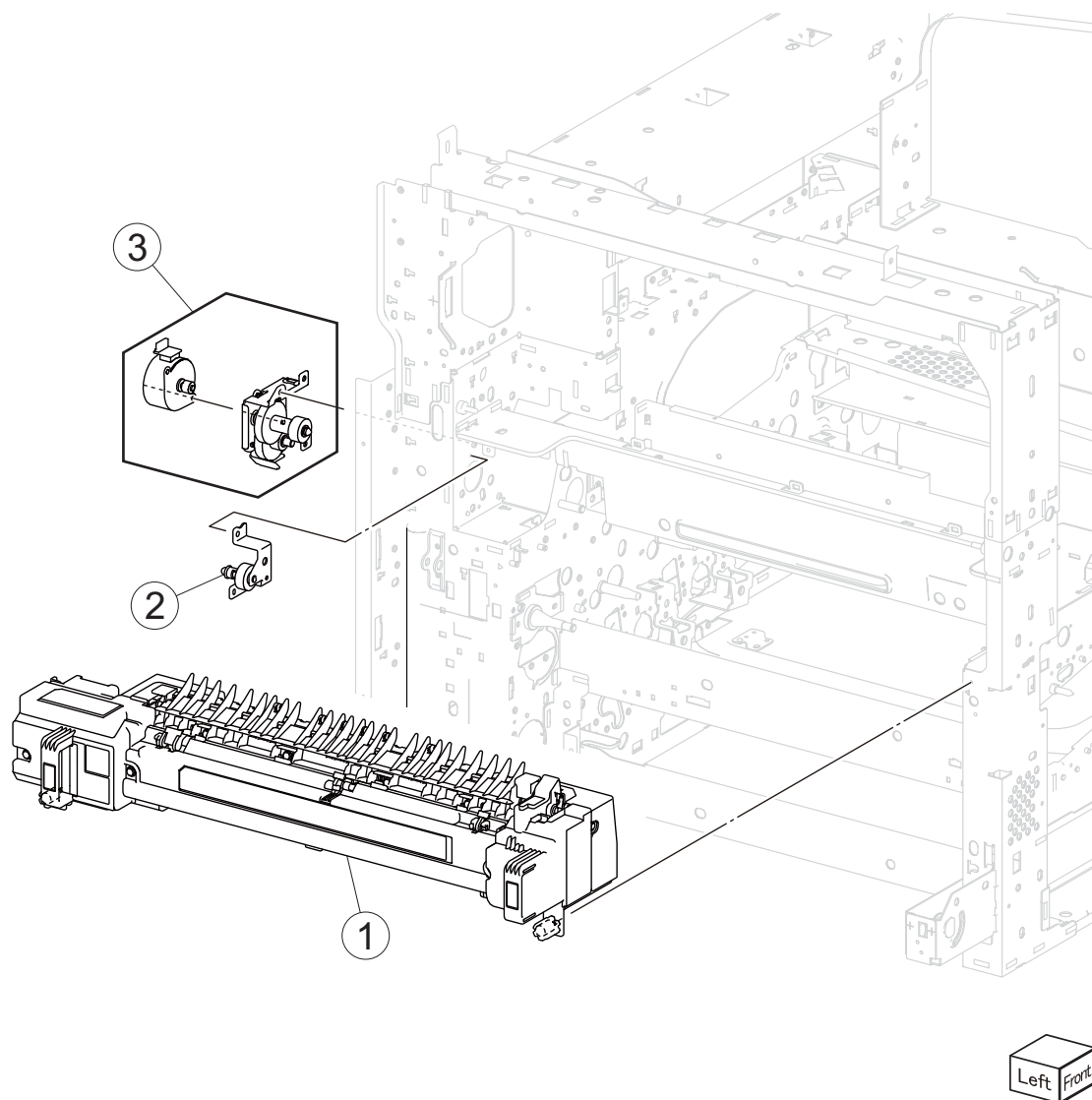
Next



Go Back

Asm-index	Part number	Units/mach	Units/FRU	Description
15-1	40X6625	1	1	Front transfer belt guide
2	40X6627	1	1	Rear transfer belt guide
3	40X6626	1	1	Belt removal actuator
4	40X7333			1st transfer conductor housing
5	40X6628	1	1	Transfer roll HVPS PCBA

## Assembly 16: Fuser



Previous



Next



Go Back

Asm-index	Part number	Units/mach	Units/FRU	Description
16-1	40X7532	1	1	Fuser assembly 100V
1	40X6629	1	1	Fuser assembly 110V
1	40X6630	1	1	Fuser assembly 220V
2	40X6632	1	1	Fuser pressure roll retract gear
3	40X6631	1	1	Fuser pressure roll retract motor

# Assembly 17: Photoconductor

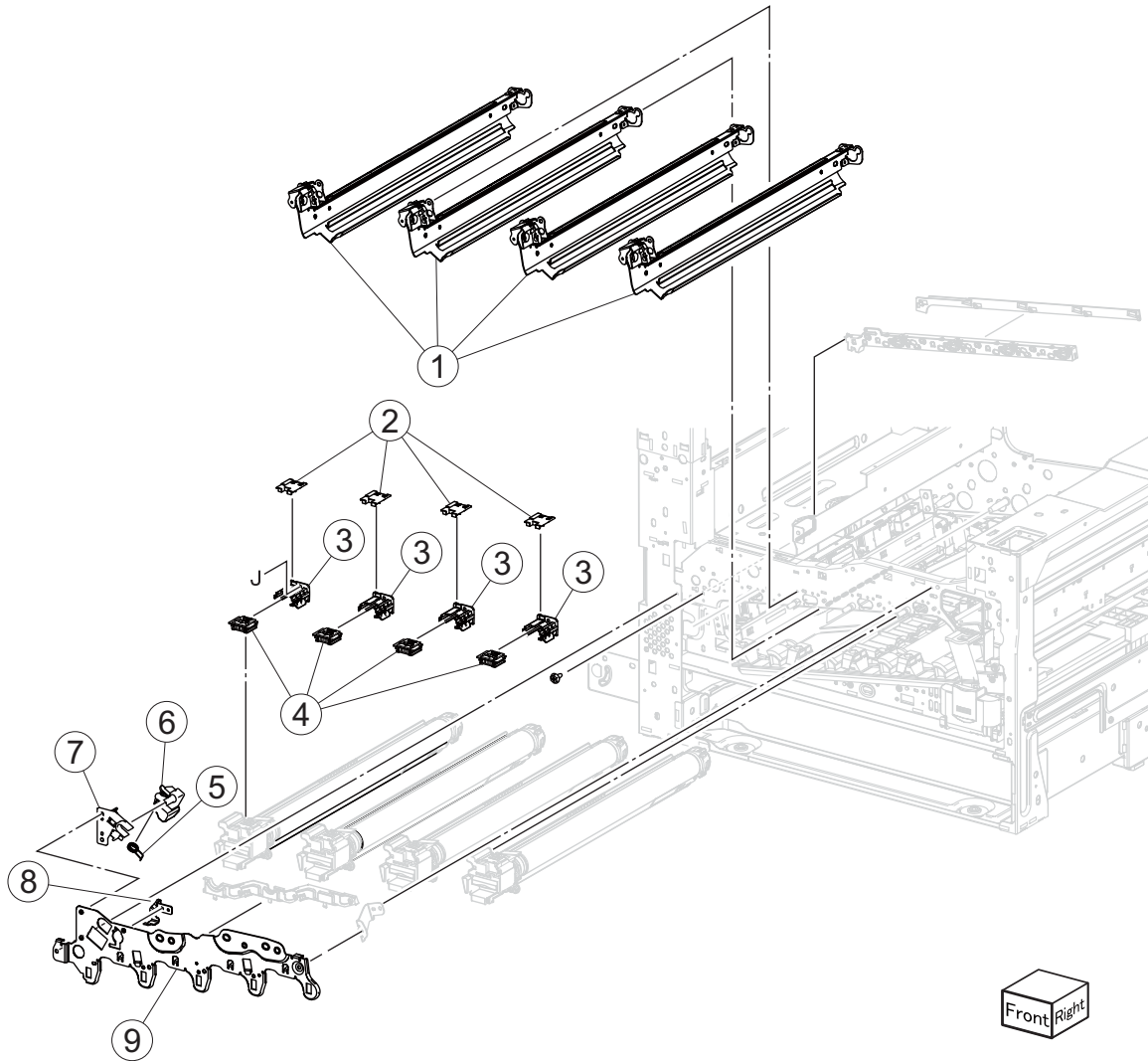
Previous



Next

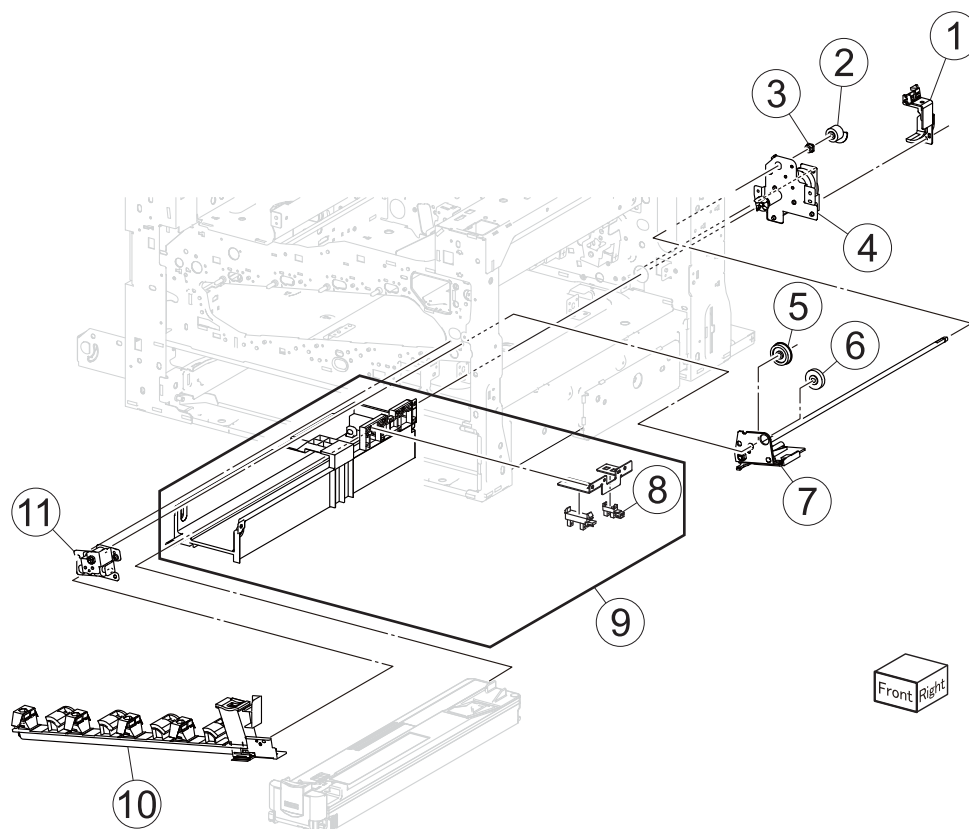


Go Back



Asm-index	Part number	Units/mach	Units/FRU	Description
17-1	40X6636	4	1	Erase lamp
2	40X6634	4	1	PC smart chip cover
3	40X6633	4	1	PC smart chip holder
4	40X6635	4	1	PC smart chip socket
5	40X6640	1	1	Torsion spring
6	40X6638	1	1	Belt lever lock
7	40X6639	1	1	Belt lock bracket
8	40X6641	1	1	Plate spring
9	40X6637	1	1	Inner plate

## Assembly 18: Waste toner transfer



Previous



Next



Go Back

Asm-index	Part number	Units/mach	Units/FRU	Description
18-1	40X6649	1	1	Motor cover
2	40X6648	1	1	Actuator gear
3	40X0880	1	1	Plastic bushing
4	40X6643	1	1	Waste toner agitator motor
5	40X6646	1	1	Waste toner gear 31T
6	40X6645	1	1	Waste toner gear 29T
7	40X6647	1	1	Waste toner shaft gate
8	40X3820			Waste toner bottle present sensor
9	40X6650	1	1	Waste toner sensor guide
10	40X6642	1	1	Waste toner auger chute
11	40X6644	1	1	Waste toner gear bracket

## Assembly 19: Media feed 1

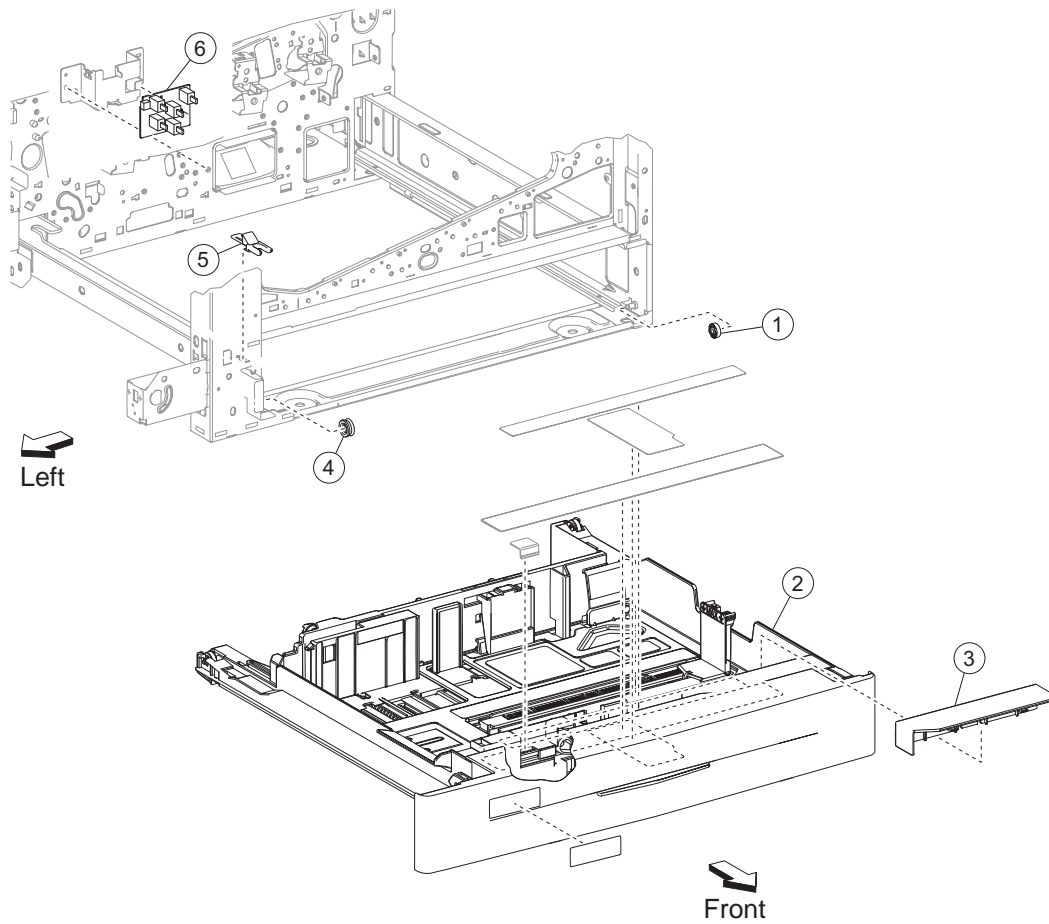
Previous



Next



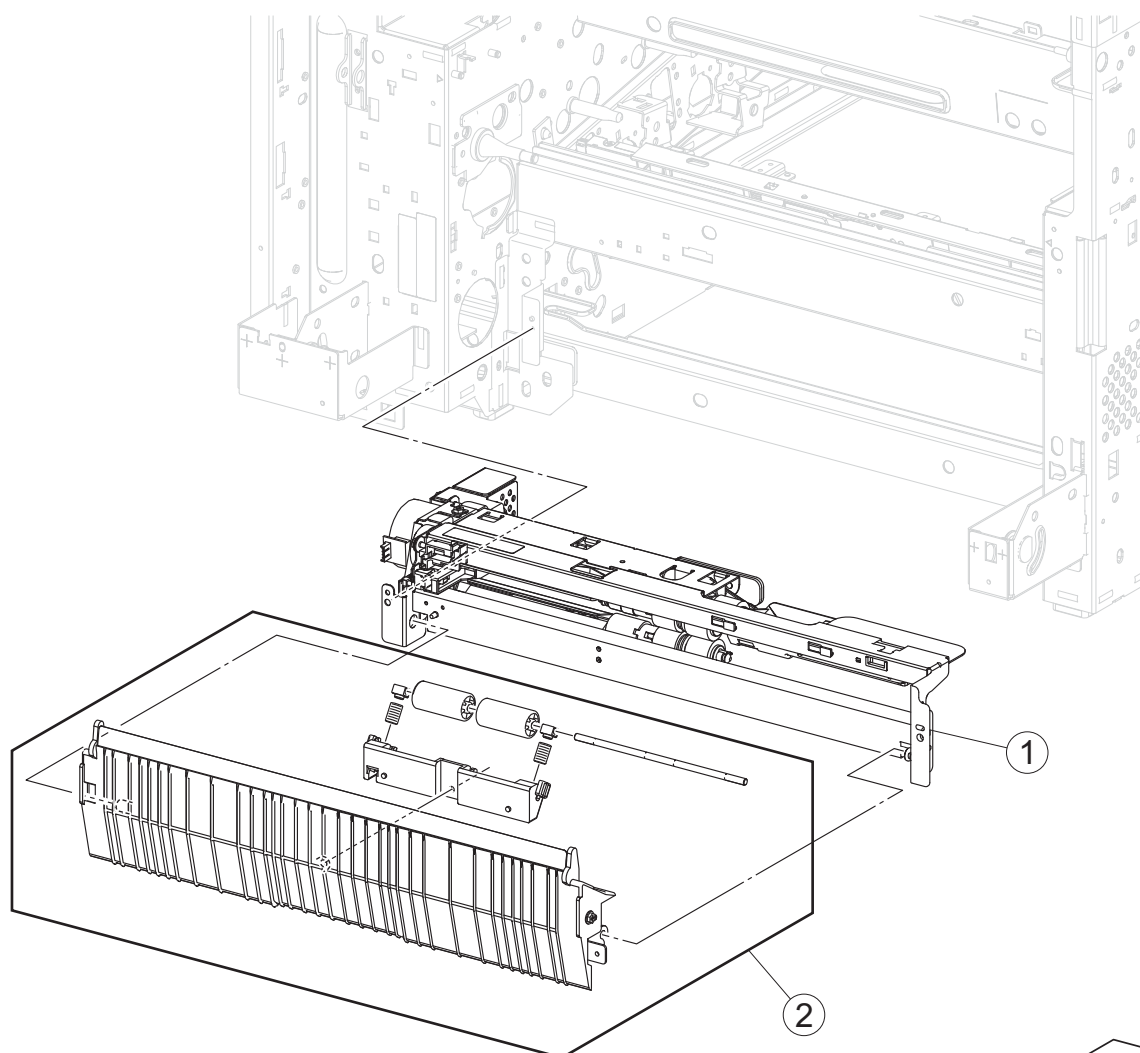
Go Back



Asm-index	Part number	Units/mach	Units/FRU	Description
19-1	40X6653	1	1	Media tray right roller
2	40X6654	1	1	Printer media tray # 1
3	40X6655	1	1	Media tray compartment cover
4	40X6652	1	1	Media tray left roller
5	40X6651	1	1	Media tray stop
6	40X7533	6	1	Media size switch PCB



## Assembly 20: Media feed 2



Previous



Next



Go Back

Asm-index	Part number	Units/mach	Units/FRU	Description
20-1	40X6656	1	1	Printer tray 1 media feeder
2	40X6657	1	1	Printer media turn guide

### Assembly 21: Media feed 3

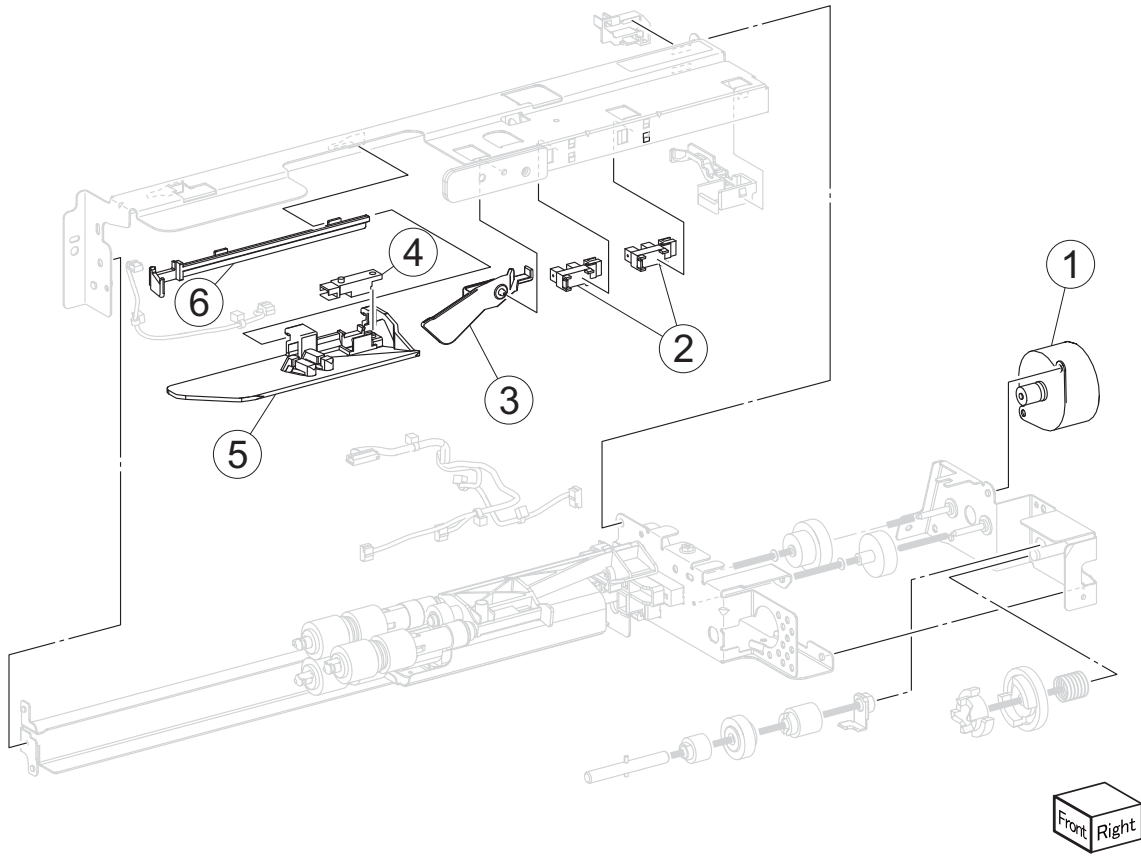
Previous



Next

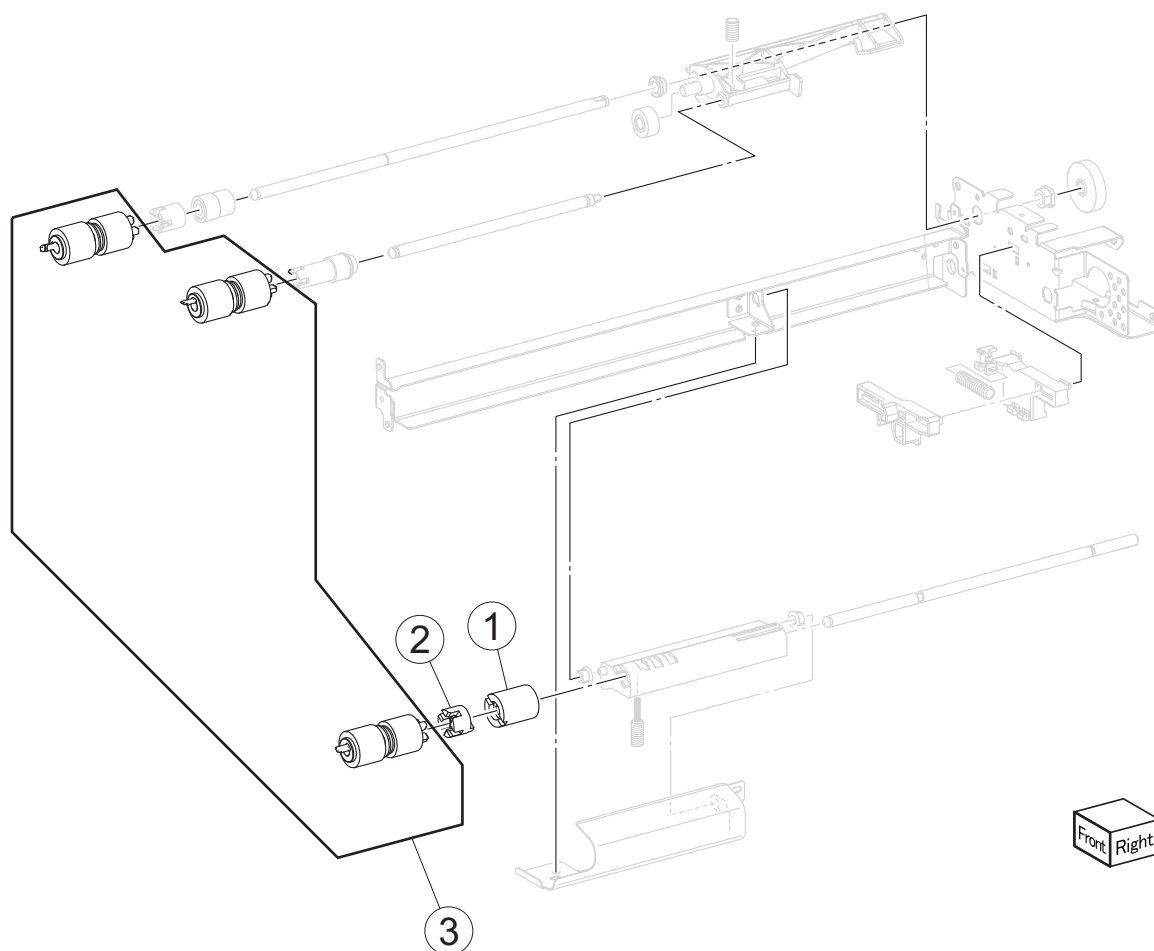


Go Back



Asm-index	Part number	Units/mach	Units/FRU	Description
21-1	40X6658	8	1	Media feed lift motor
2	40X0588	1	1	Tray 1 media level sensor
2	40X0588	1	1	Tray 1 media out sensor
2	40X0588	1	1	Tray 2 media level sensor
2	40X0588	1	1	Tray 2 media out sensor
2	40X0588	1	1	Tray 3 media level sensor
2	40X0588	1	1	Tray 3 media out sensor
2	40X0588	1	1	Tray 4 media level sensor
2	40X0588	1	1	Tray 4 media out sensor
3	40X0587	8	1	Media out actuator
4	40X0589	2	1	Tray 1 pre-feed sensor
5	40X6659	8	1	Feeder slide guide
6	40X6773	8	1	Feeder unit slide rail

## Assembly 22: Media feed 4



Previous



Next



Go Back

Asm-index	Part number	Units/mach	Units/FRU	Description
22-1	40X6660	8	1	Separation limiter clutch
2	40X6661	8	1	Separation spacer
3	40X6805	7	3	Pick roller kit includes: <ul style="list-style-type: none"> <li>• Pick rollers</li> <li>• Feed rollers</li> <li>• Separation rollers</li> </ul>

## Assembly 23: Tray module media feed 1

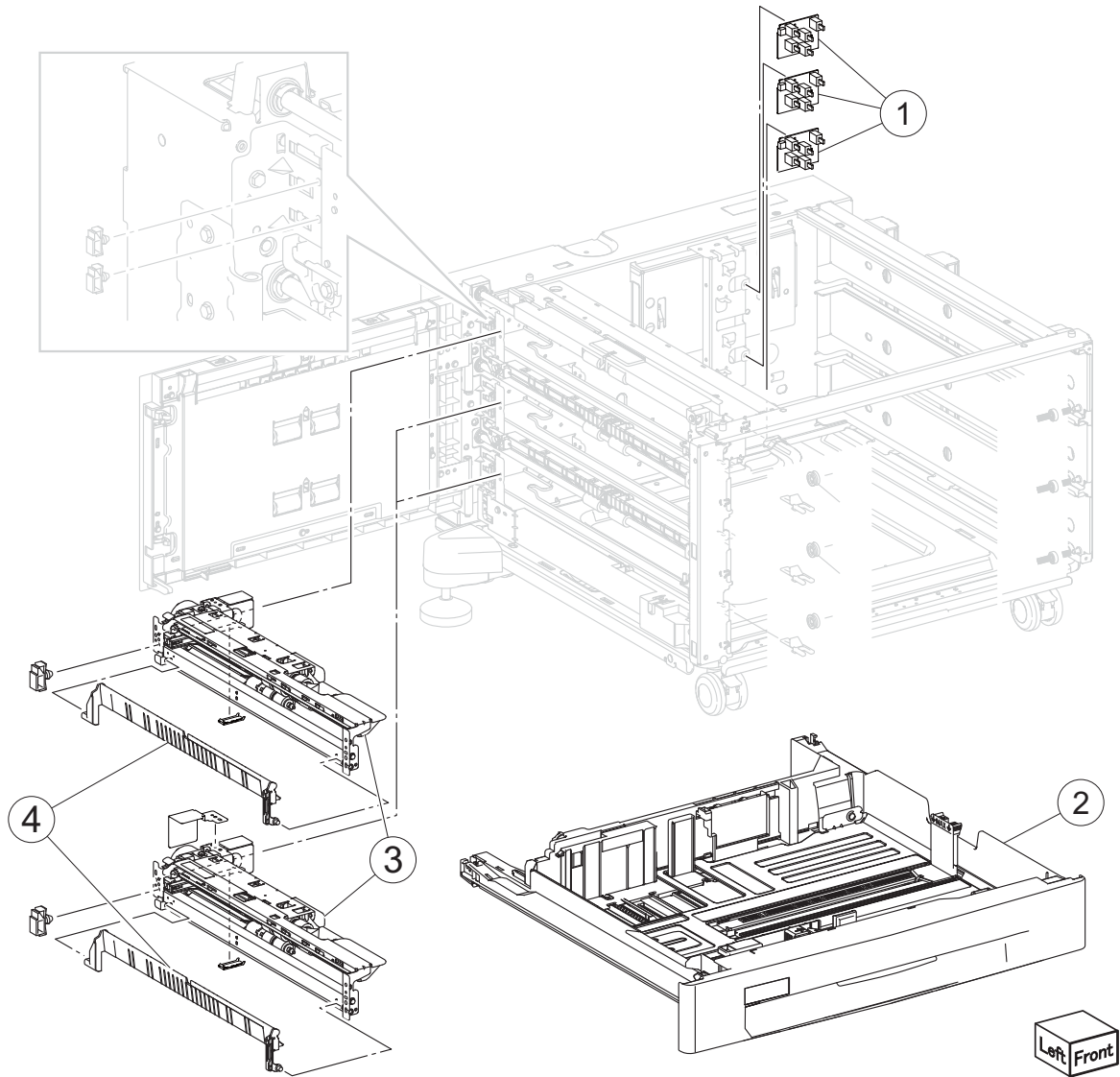
Previous



Next



Go Back



Asm-index	Part number	Units/mach	Units/FRU	Description
23-1	40X7533	6	1	Media size switch PCB
2	40X6665	3	1	Tray module media tray
3	40X6662	3	1	Tray module media feeder
4	40X6663	3	1	Tray module tray 2 media turn guide

## Assembly 24: Tray module media transport 1

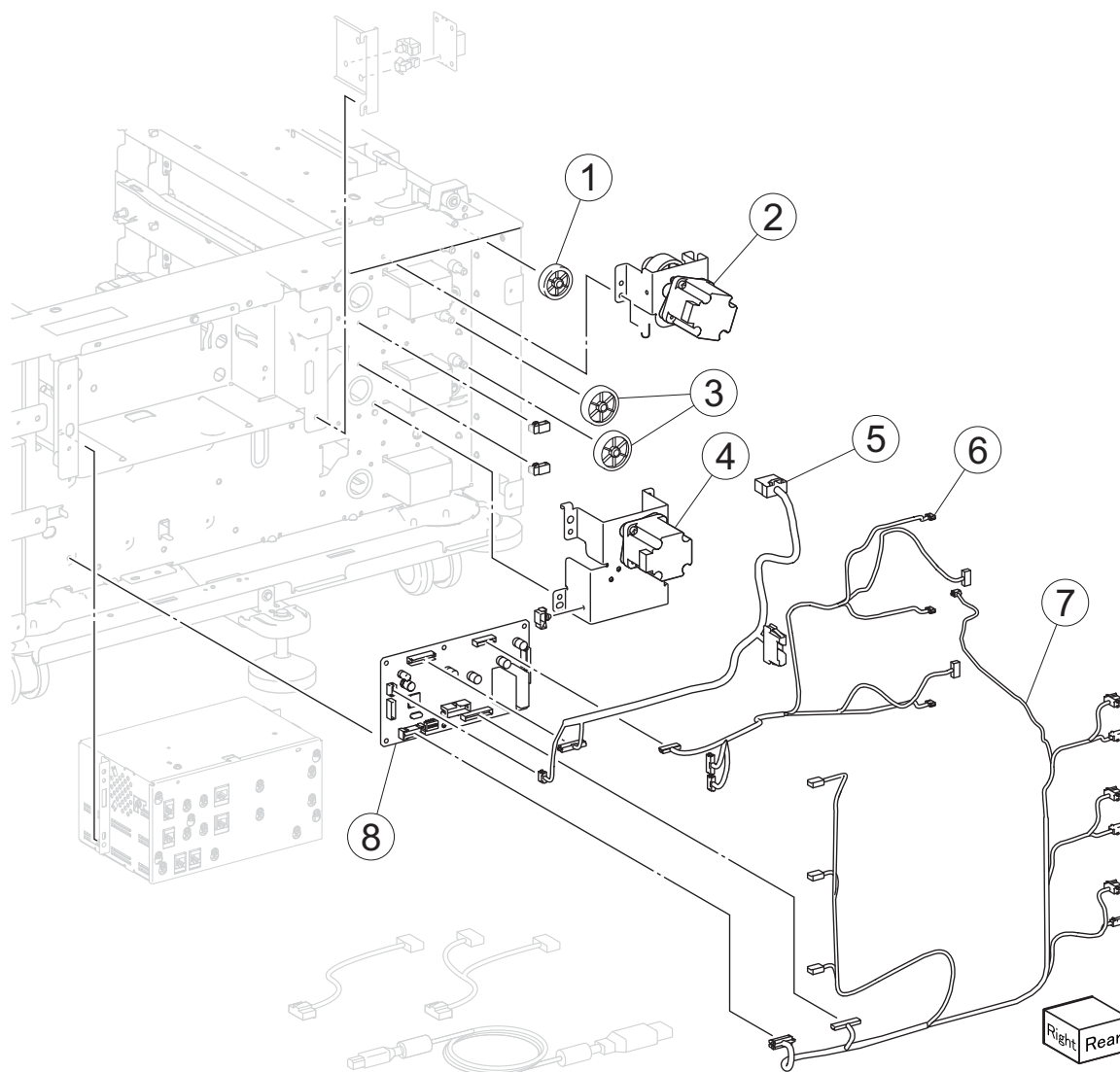
Previous



Next

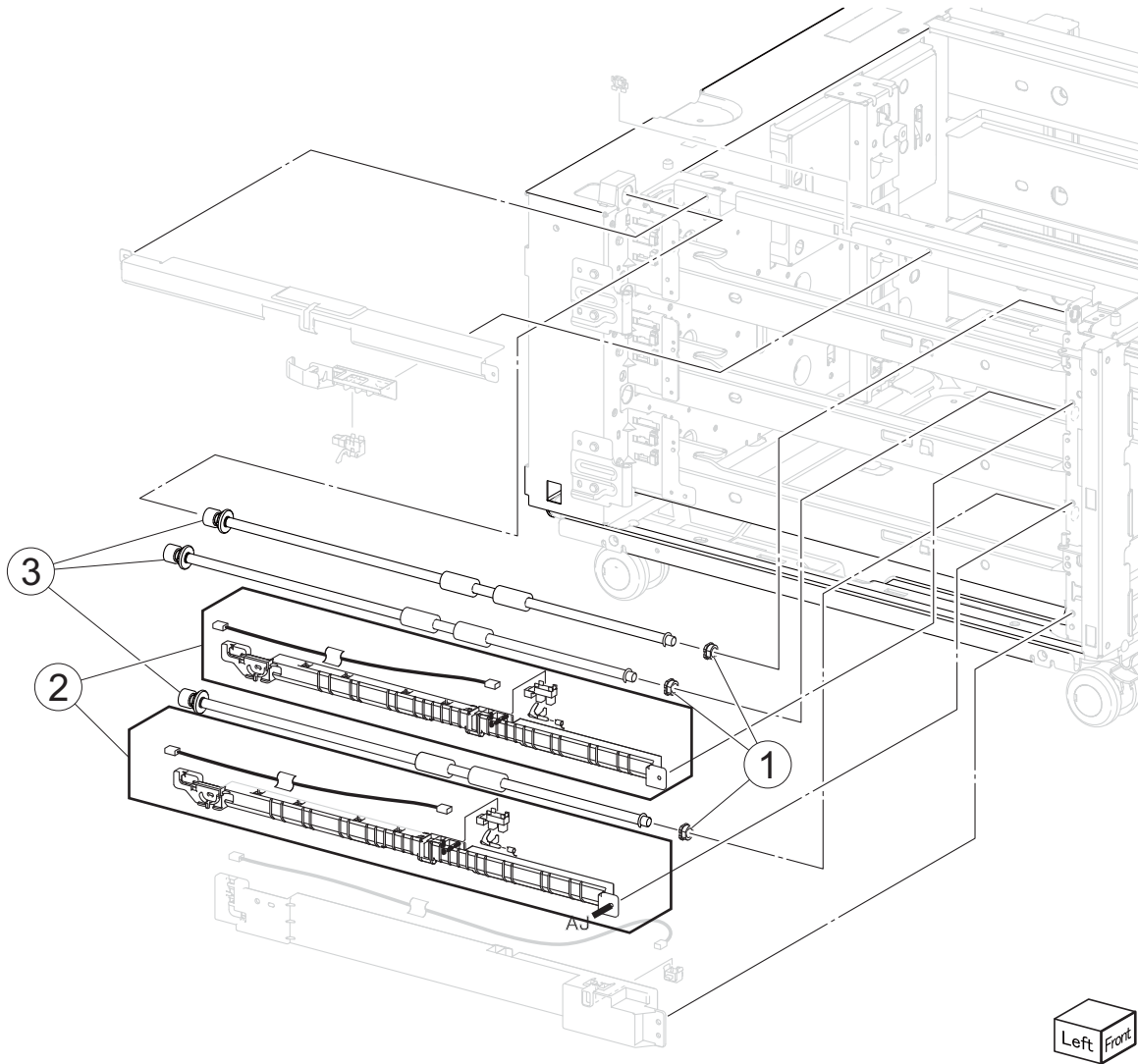


Go Back



Asm-index	Part number	Units/mach	Units/FRU	Description
24-1	40X6668	1	1	3TM 34T gear
2	40X6674	2	1	1TM/3TM upper transport motor
3	40X6669	2	1	3TM/TTM 39T gear
4	40X6670	1	1	Tray module lower transport motor
5	40X6673	1	1	3TM interface cable
6	40X6672	1	1	3TM motor cable
7	40X6671	1	1	3TM sensor cable
8	40X6667	3	1	Tray module controller PCBA

## Assembly 25: Tray module media transport 2



Previous



Next



Go Back

Asm-index	Part number	Units/mach	Units/FRU	Description
25-1	40X3915	7	1	Bearing
2	40X6675	1	1	Sensor tray (module feed out)
3	40X6677	6	1	Tray module transport roller

## Assembly 26: Tray module covers 1

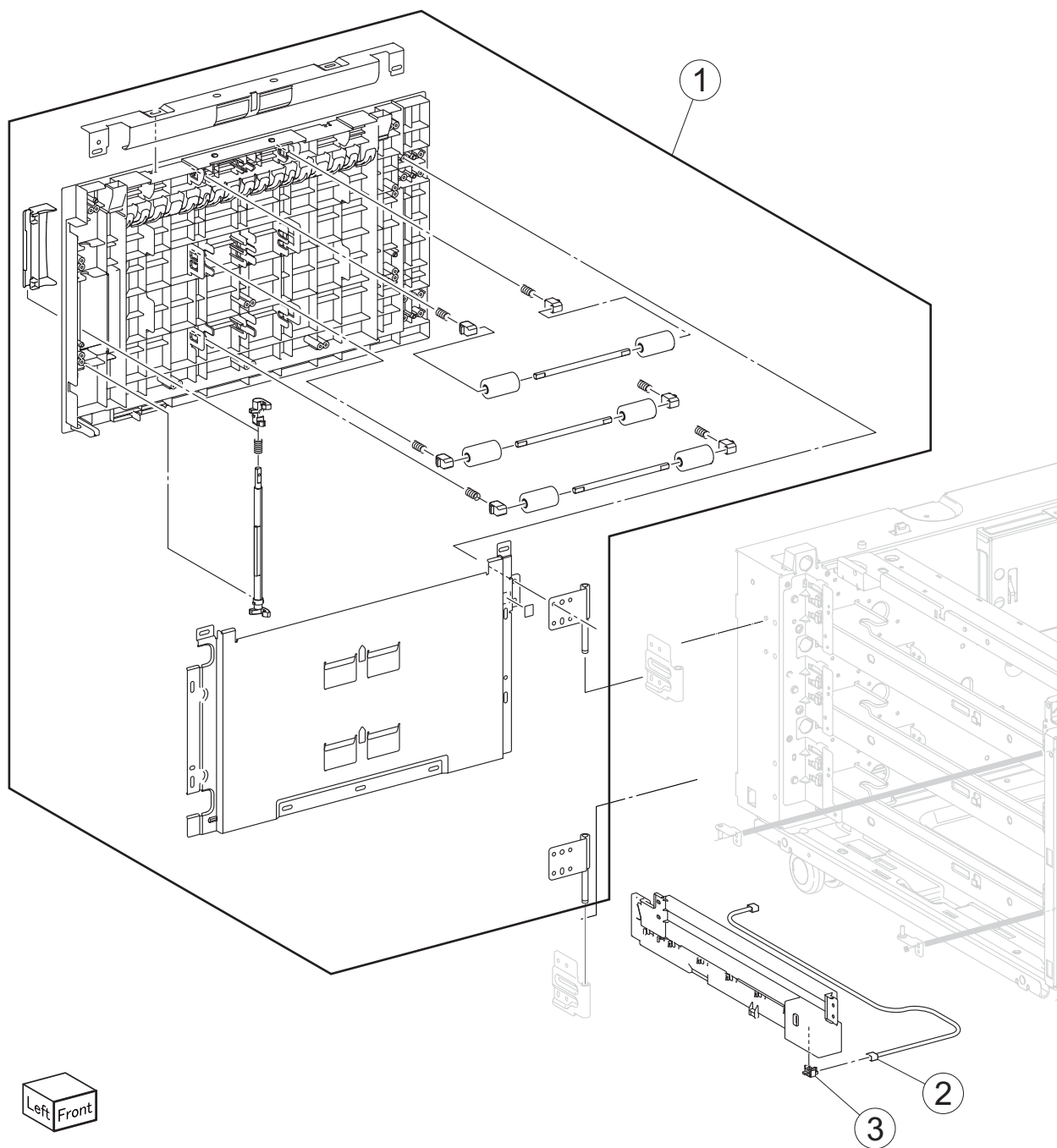
Previous



Next



Go Back



Asm-index	Part number	Units/mach	Units/FRU	Description
26-1	40X6678	1	1	3TM left door
2	40X6701	1	1	Tray module left door sensor cable
3	40X6700	2	1	Sensor (tray module left door interlock)

## Assembly 27: Tray module covers 2

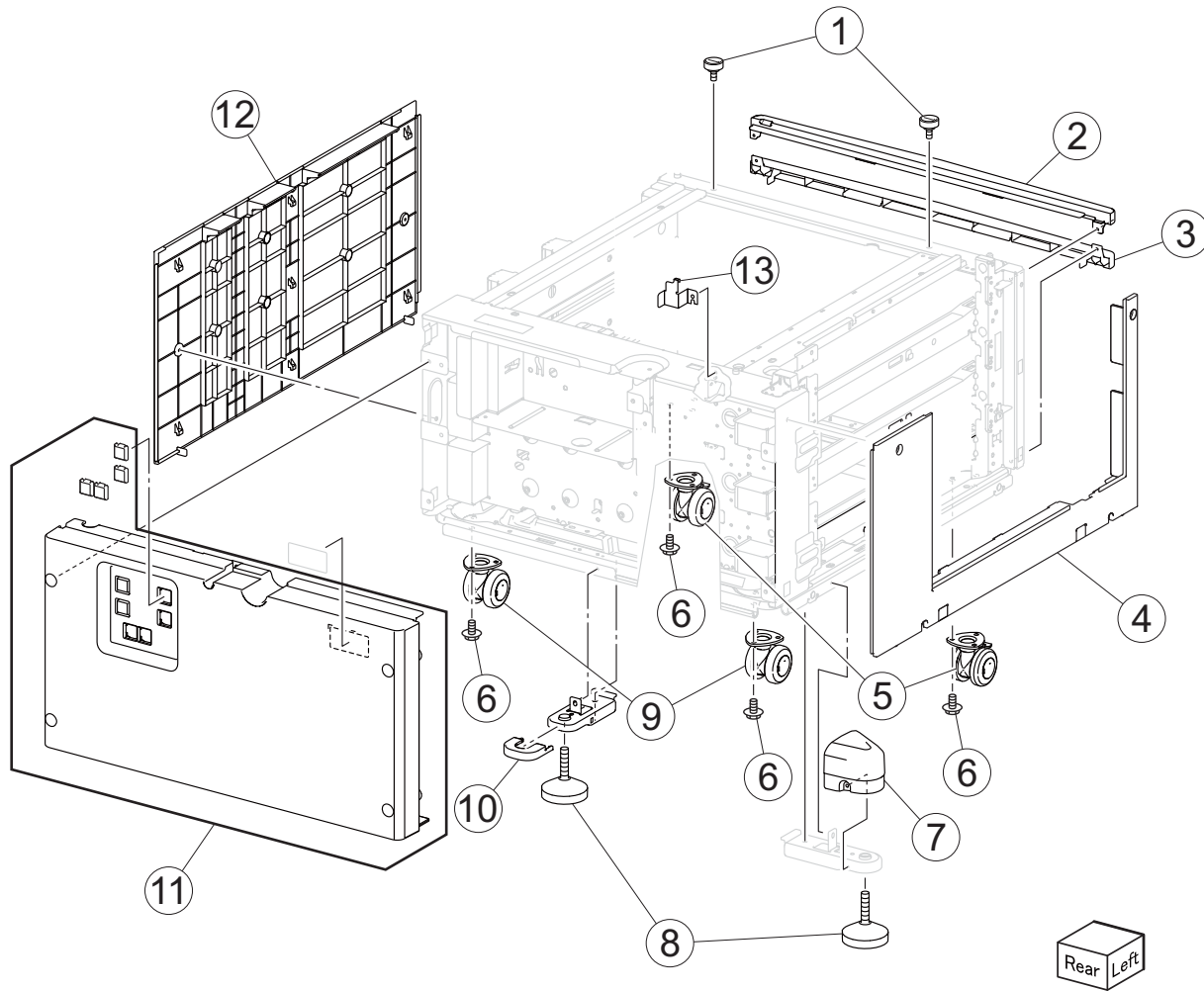
Previous



Next



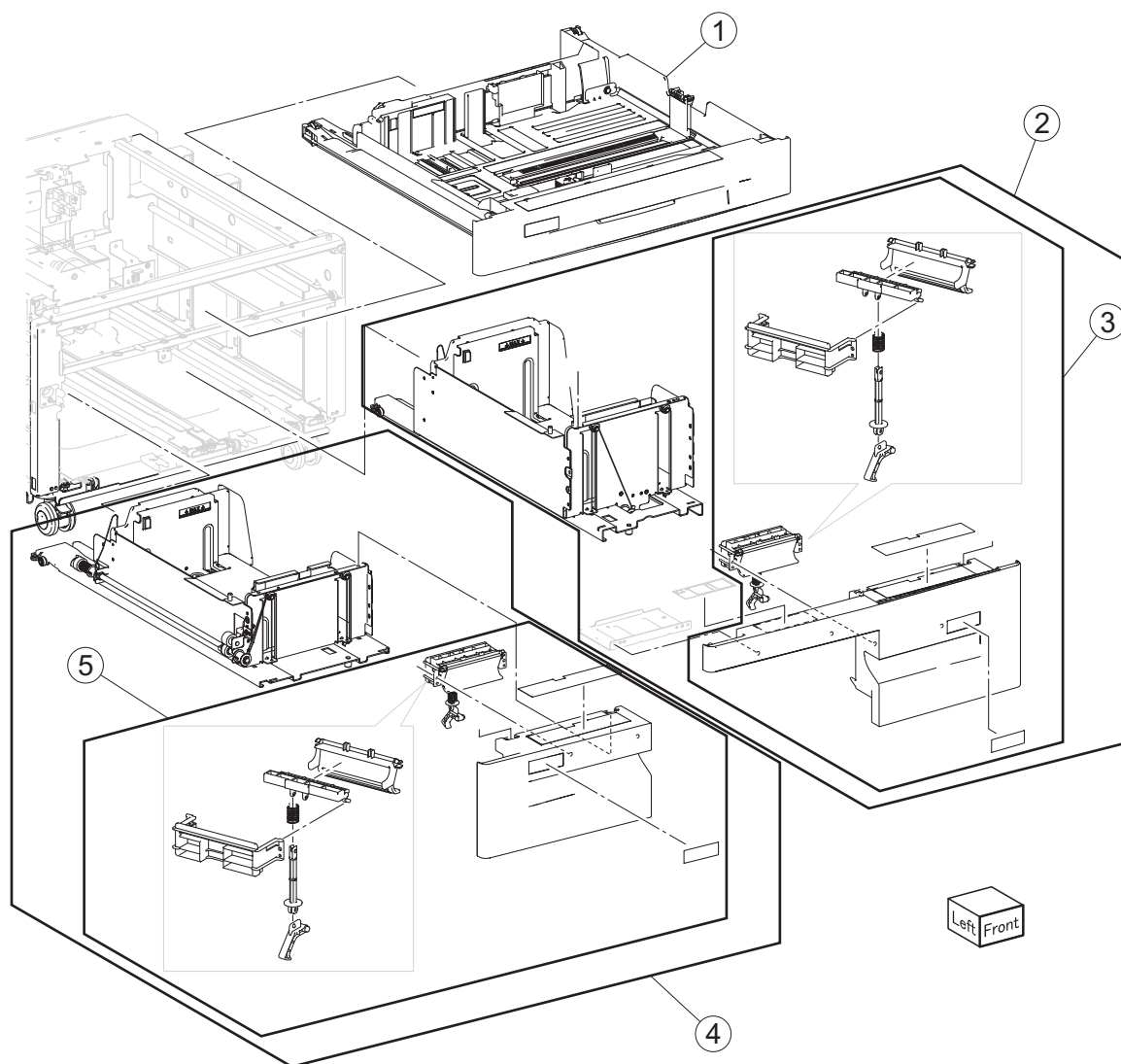
Go Back



Asm-index	Part number	Units/mach	Units/FRU	Description
27-1	40X6683	6	2	Docking screw
2	40X6688	3	1	Tray module top cover
3	40X6689	2	1	Tray module bottom cover
4	40X6690	3	1	Tray module left cover
5	40X6685	6	1	1TM/TTM/3TM locking caster
6	40X6583	12	1	1TM/TTM/3TM caster screw
7	40X6681	3	1	1TM/TTM/3TM foot side cover
8	40X6680	6	1	1TM/TTM/3TM adjuster foot
9	40X6686	6	1	1TM/TTM/3TM non-locking caster
10	40X6682	3	1	1TM/TTM/3TM foot rear cover
11	40X6687	3	1	Tray module rear cover
12	40X6691	3	1	Tray module right cover
13	40X6684	3	1	1TM/TTM/3TM docking bracket



## Assembly 28: TTM trays



Previous



Next



Go Back

Asm-index	Part number	Units/mach	Units/FRU	Description
28-1	40X6665	3	1	Tray module media tray
2	40X6698	1	1	TTM tray 4 media tray
3	40X6693	1	1	TTM tray 4 media tray cover
4	40X6694	1	1	TTM tray 3 media tray
5	40X6695	1	1	TTM tray 3 media tray cover

## Assembly 29: TTM Media feed 1

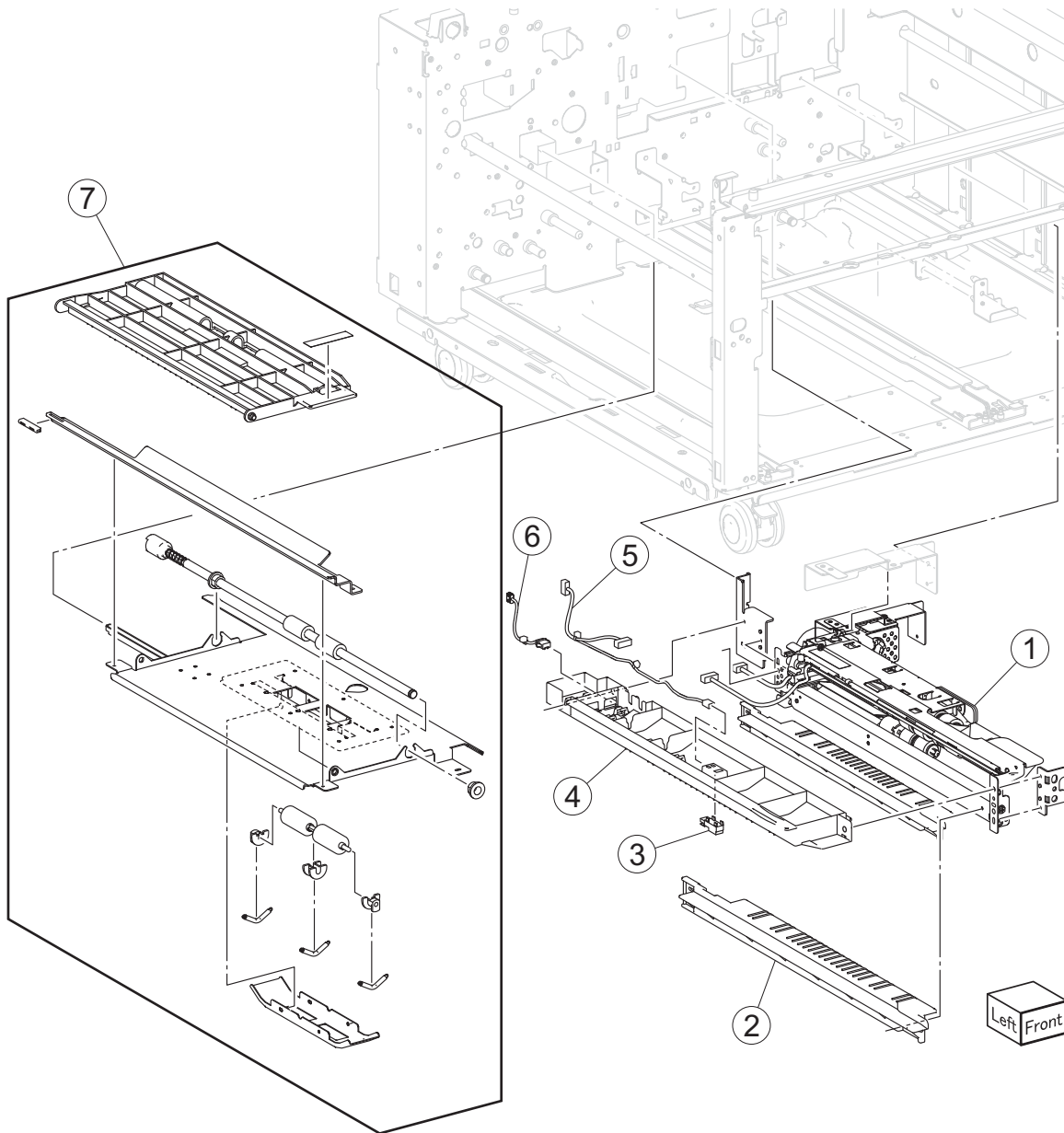
Previous



Next

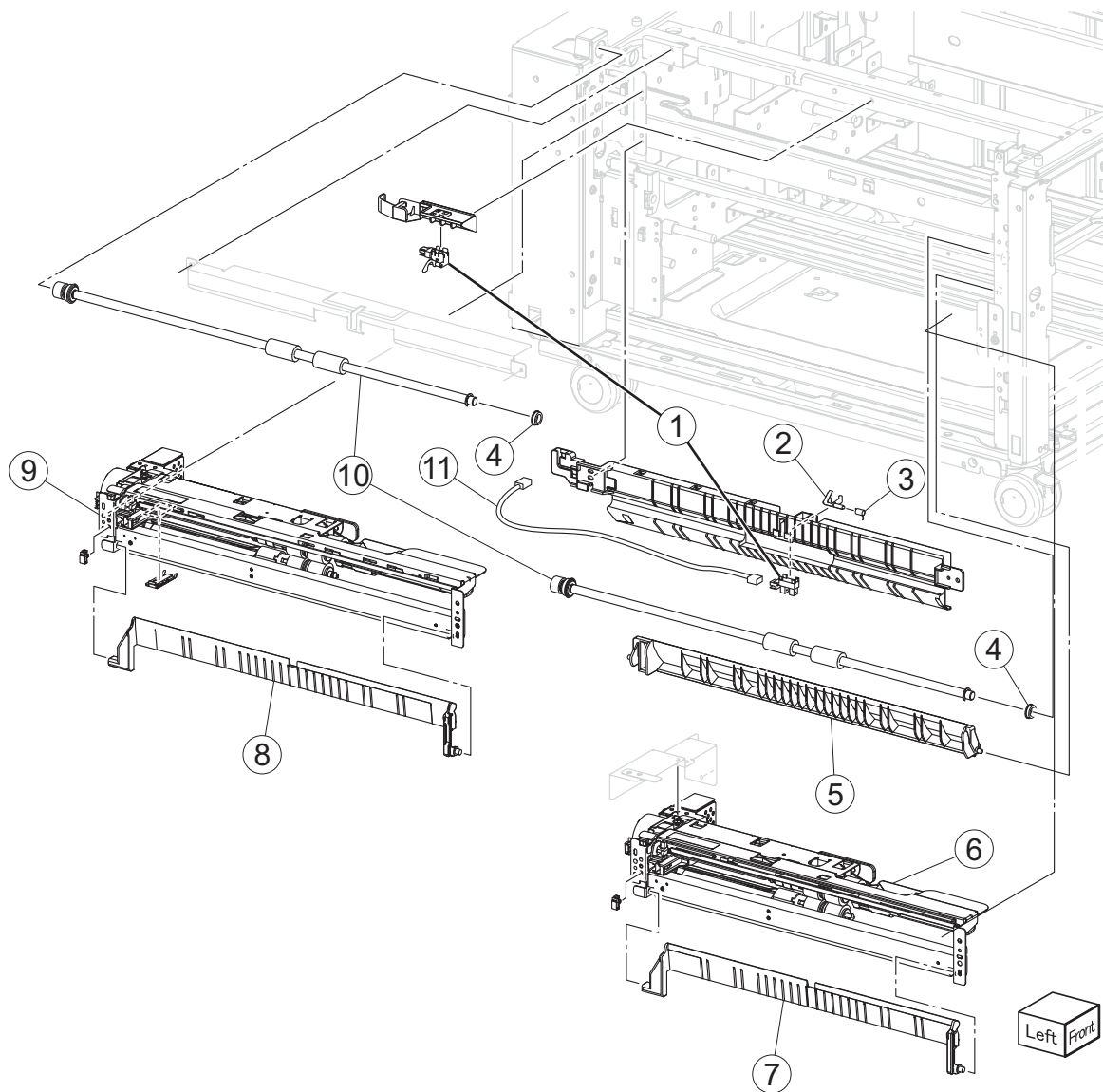


Go Back



Asm-index	Part number	Units/mach	Units/FRU	Description
29-1	40X6696	1	1	TTM tray 4 media feeder
2	40X6834	1	1	TTM tray 4 feeder lower guide
3	40X0727	1	1	Sensor (TTM tray 4 feedout)
4	40X6871	1	1	TTM tray 4 feeder upper guide
5	40X6883	1	1	TTM tray 4 feeder sensor cable
6	40X6896	1	1	TTM tray 4 feeder motor cable
7	40X6697	1	1	TTM tray 4 media transport

## Assembly 30: TTM Media feed 2



Previous



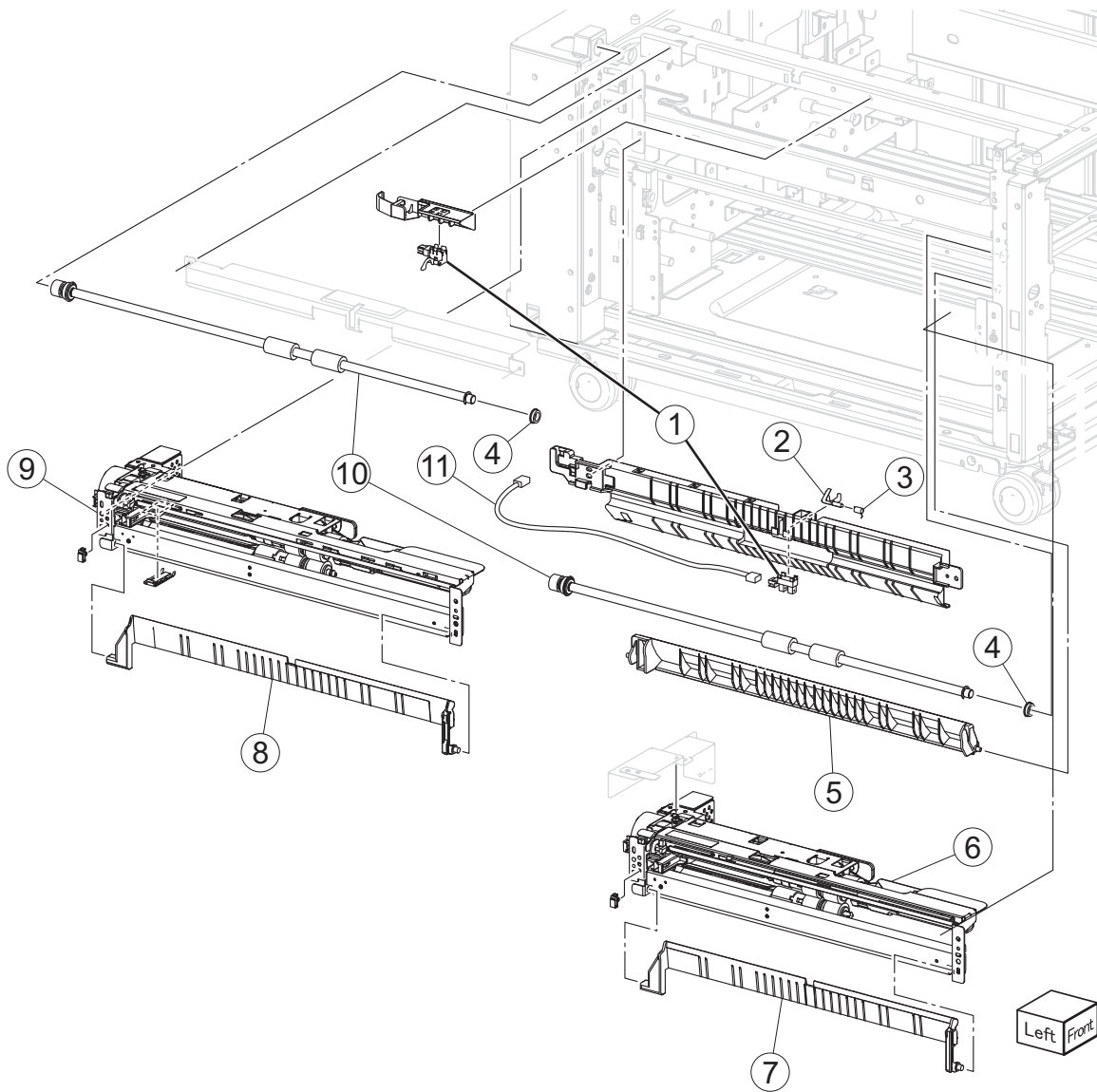
Next



Go Back

Asm-index	Part number	Units/mach	Units/FRU	Description
30-1	40X7334	1	1	Sensor (tray module feed out)
1	40X3688	1	1	Sensor (TTM tray 3 feed out)
2	40X7336	1	1	TTM tray 3 feed-out actuator
3	40X7337	1	1	TTM actuator spring
4	40X3915	7	1	Bearing
5	40X7341	1	1	TTM tray 4 media turn guide
6	40X7340			TTM tray 3 feeder
7	40X6699	1	1	TTM tray 3 media turn guide

## Assembly 30 (continued): TTM Media feed 2



Previous



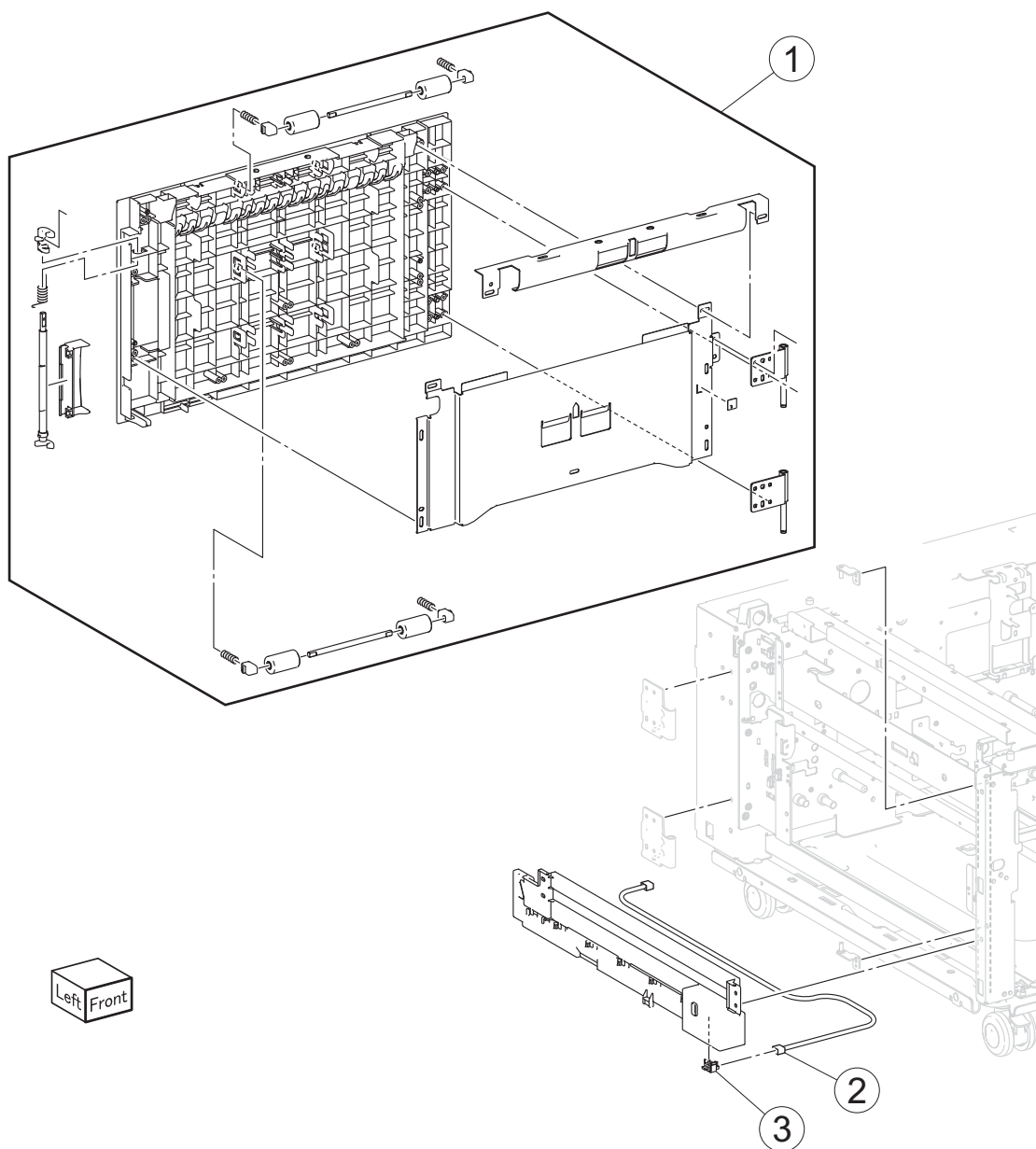
Next



Go Back

Asm-index	Part number	Units/mach	Units/FRU	Description
8	40X6663	3	1	1TM/3TM/TTM media turn guide
9	40X6662	3	1	3TM/TTM media feeder
10	40X6677	6	1	Tray module transport roller
11	40X7338	1	1	TTM tray 3 feed out sensor cable

## Assembly 31: TTM left door



Previous



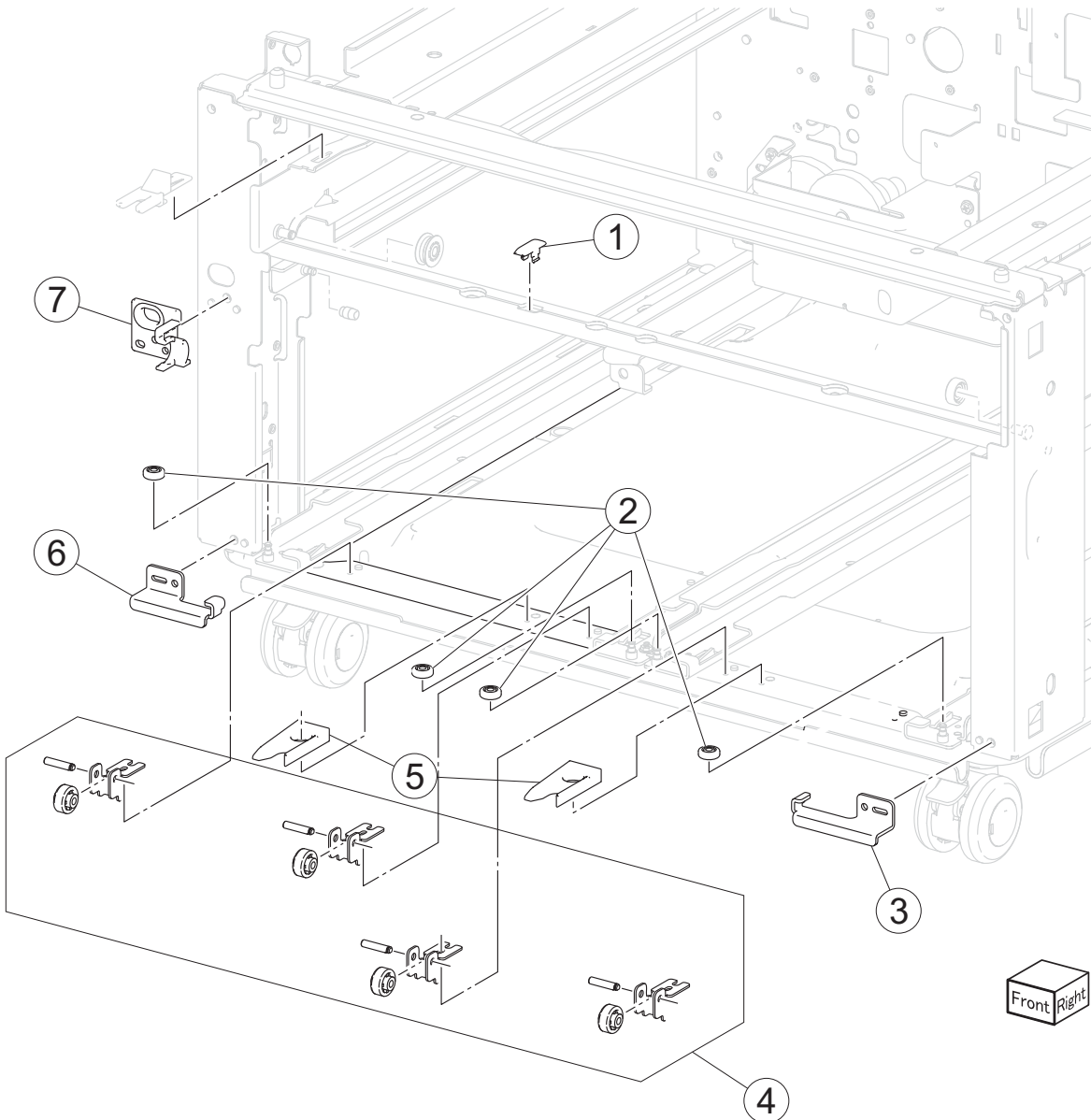
Next



Go Back

Asm-index	Part number	Units/mach	Units/FRU	Description
31-1	40X6702	1	1	TTM left door
2	40X6701	1	1	Tray module left door sensor cable
3	40X6700	2	1	Sensor (tray module left door interlock)

## Assembly 32: TTM tray support



Previous



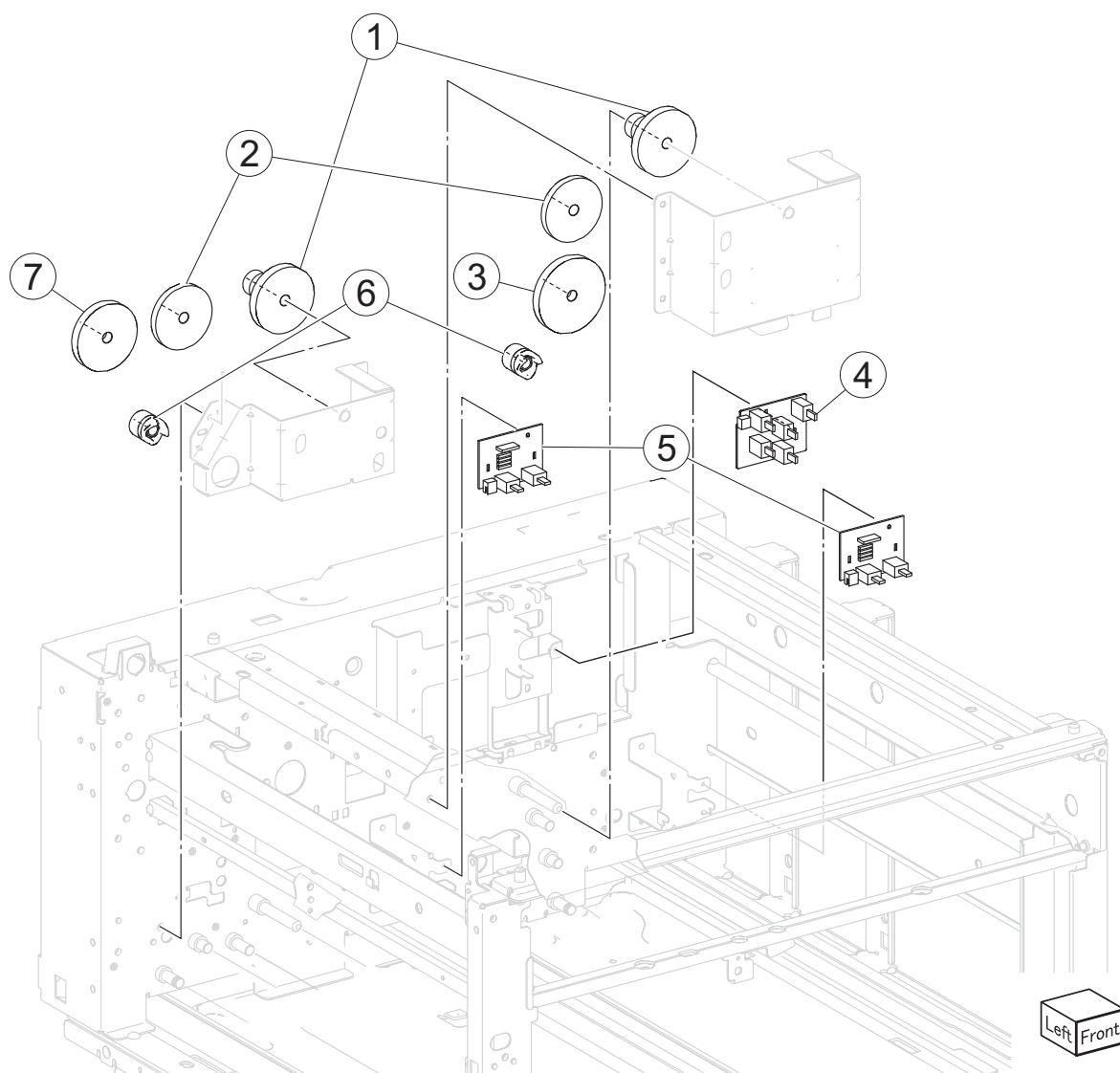
Next



Go Back

Asm-index	Part number	Units/mach	Units/FRU	Description
32-1	40X7342	1	1	TTM tray spacer
2	40X7344	4	1	TTM tray side roller
3	40X7347	1	1	TTM tray 4 lock
4	40X7343	4	1	TTM tray 3/4 tray roller
5	40X7348	2	1	TTM tray 3/4 stopper
6	40X7346	1	1	TTM tray 3 lock
7	40X7345	1	1	TTM upper stopper

## Assembly 33: TTM drive 1



Previous



Next



Go Back

Asm-index	Part number	Units/mach	Units/FRU	Description
33-1	40X7350	2	1	TTM gear 17T/50T
2	40X7351	2	1	TTM gear 16T/48T
3	40X7352	1	1	TTM gear 57T
4	40X7533	6	1	Media size switch PCB
5	40X7349	2	1	Sensor (TTM media size)
6	40X7353	2	1	Coupler
7	40X7354	1		TTM gear 51T



## Assembly 34: TTM drive 2

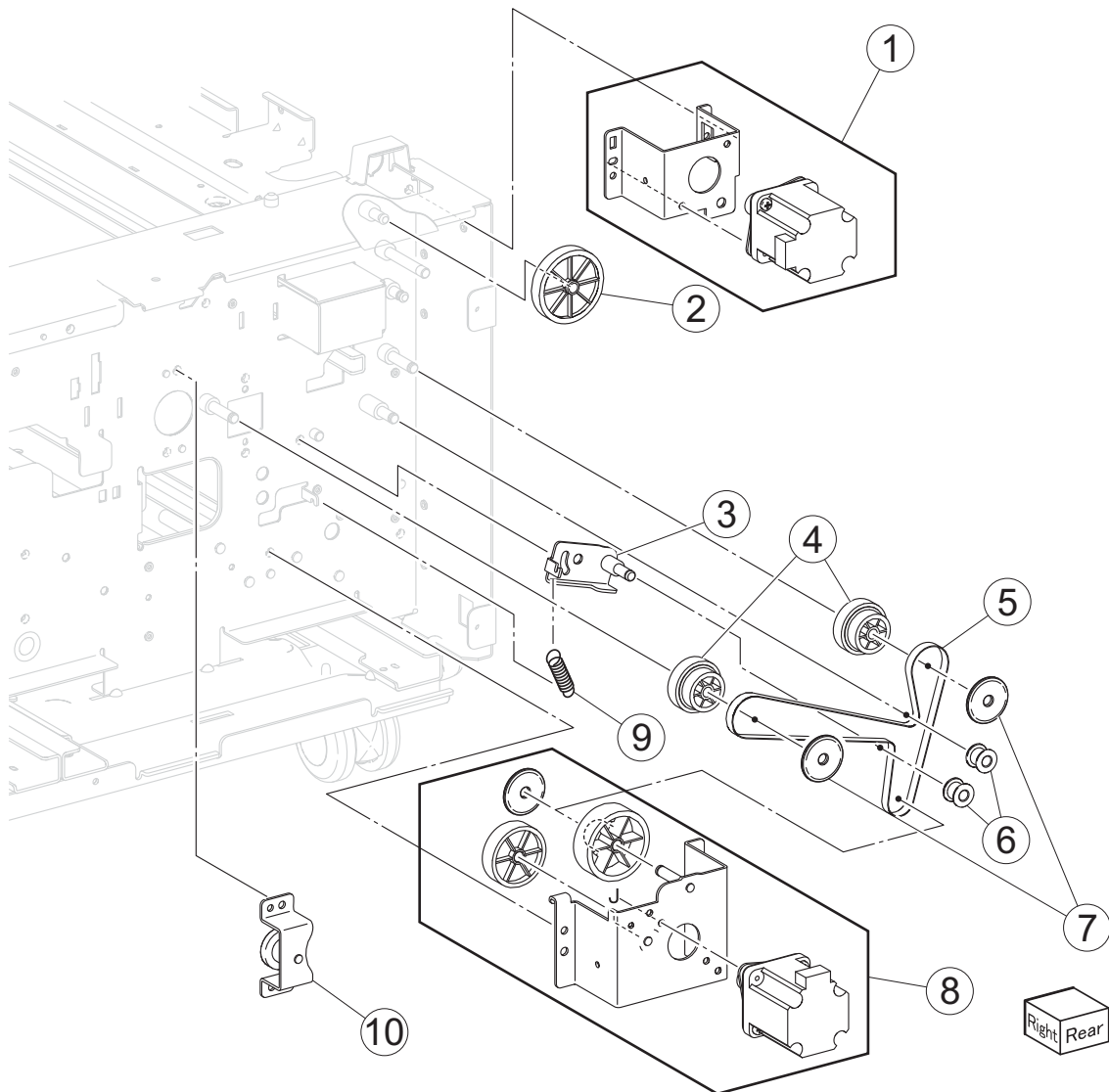
Previous



Next



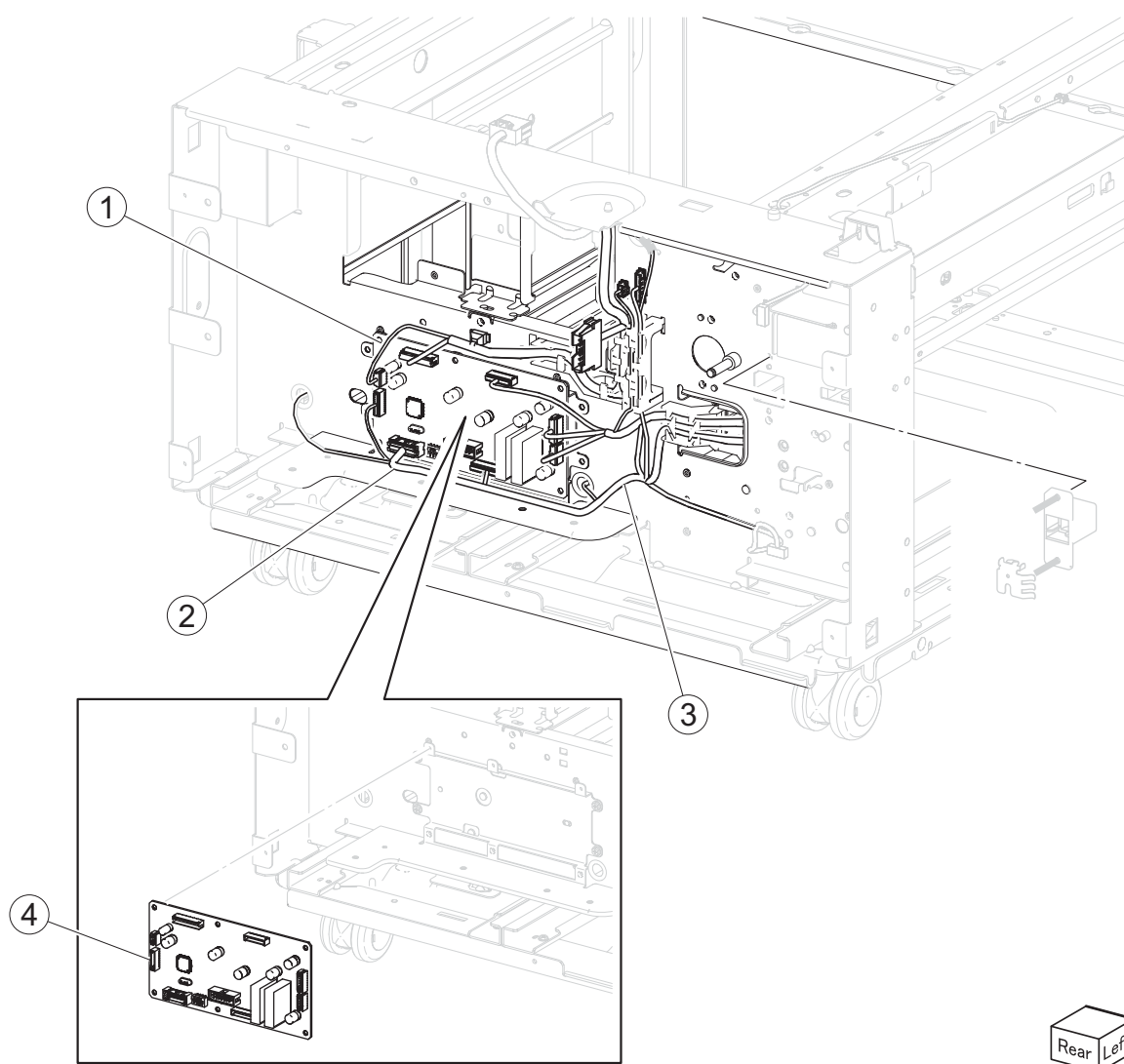
Go Back



Asm-index	Part number	Units/mach	Units/FRU	Description
34-1	40X6704	1	1	TTM upper transport motor
2	40X7355	1	1	TTM gear 52T
3	40X7361	1	1	TTM tension bracket
4	40X7357	1	1	TTM drive gear
5	40X7359	1	1	TTM drive belt
6	40X7358	1	1	TTM idler pulley
7	40X7356	1	1	TTM drive flange
8	40X6703	1	1	TTM lower transport motor
9	40X7360	1	1	Spring
10	40X7363	1	1	TTM tray 4 drive gear



## Assembly 35: TTM cables



Previous



Next



Go Back

Asm-index	Part number	Units/mach	Units/FRU	Description
35-1	40X7366	1	1	TTM interface cable
2	40X7364	1	1	TTM sensor cable
3	40X7365	1	1	TTM motor cable
4	40X6667	3	1	1TM/3TM/TTM controller PCBA

### Assembly 36: TTM covers

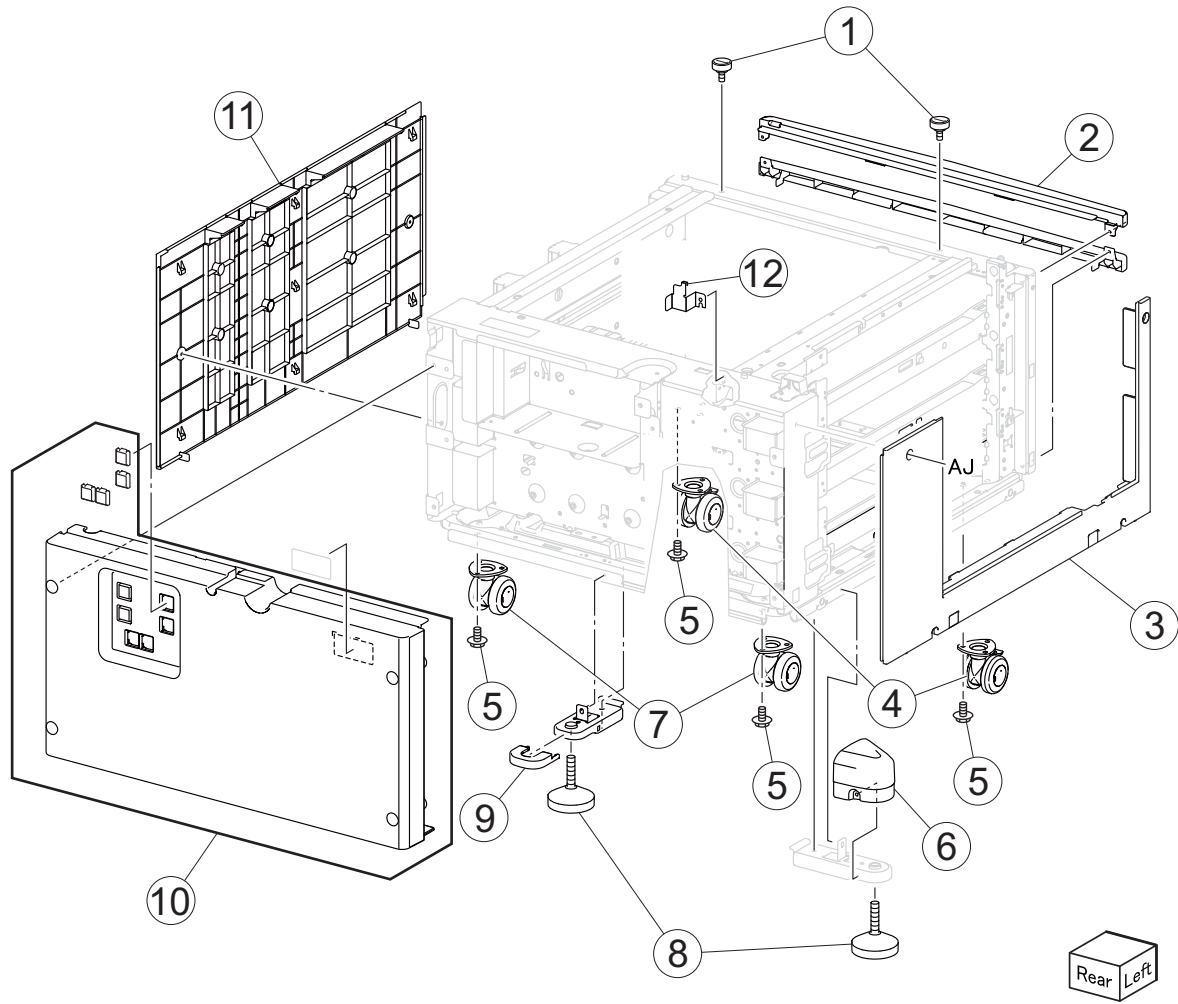
Previous



Next



Go Back



Asm-index	Part number	Units/mach	Units/FRU	Description
36-1	40X6683	6	2	Docking screw
2	40X6688	3	1	Tray module top cover
3	40X6690	3	1	Tray module left cover
4	40X6685	6	1	1TM/TTM/3TM locking caster
5	40X6583	12	1	1TM/TTM/3TM caster screw
6	40X6681	3	1	1TM/TTM/3TM foot side cover
7	40X6686	6	1	1TM/TTM/3TM non-locking caster
8	40X6680	6	1	1TM/TTM/3TM adjuster foot
9	40X6682	3	1	1TM/TTM/3TM foot rear cover
10	40X6687	3	1	Tray module rear cover
11	40X6691	3	1	Tray module right cover
12	40X6684	3	1	1TM/TTM/3TM docking bracket

## Assembly 37: 1TM front cover

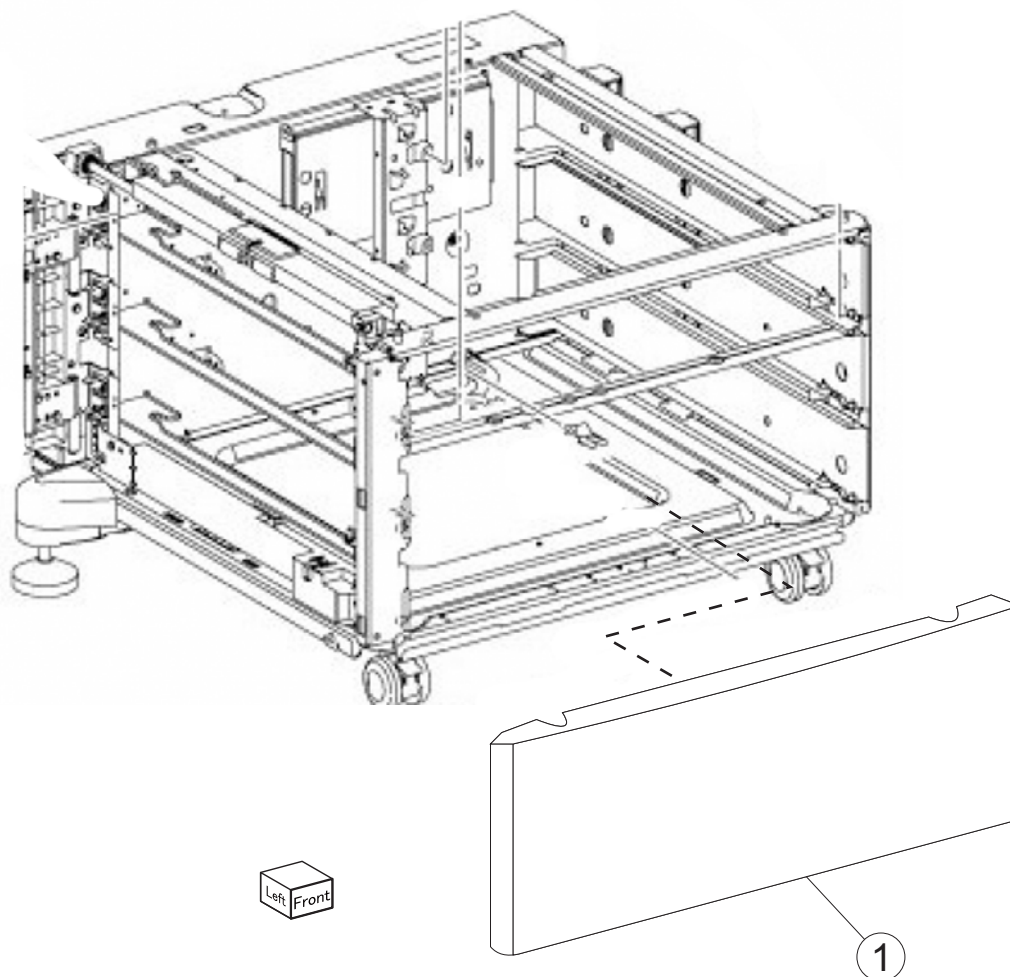
Previous



Next



Go Back



Asm-index	Part number	Units/mach	Units/FRU	Description
37-1	40X7367	1	1	1TM front cover

### Assembly 38: 1TM cables

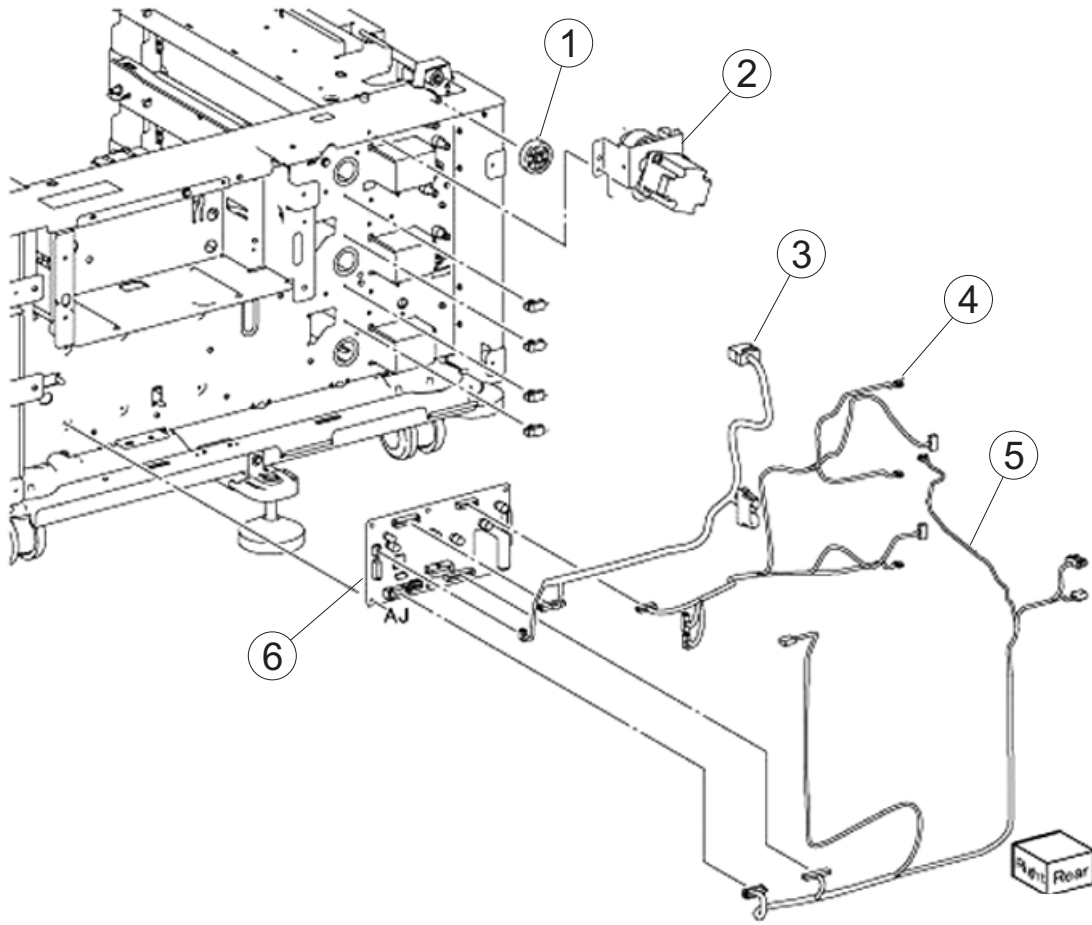
Previous



Next

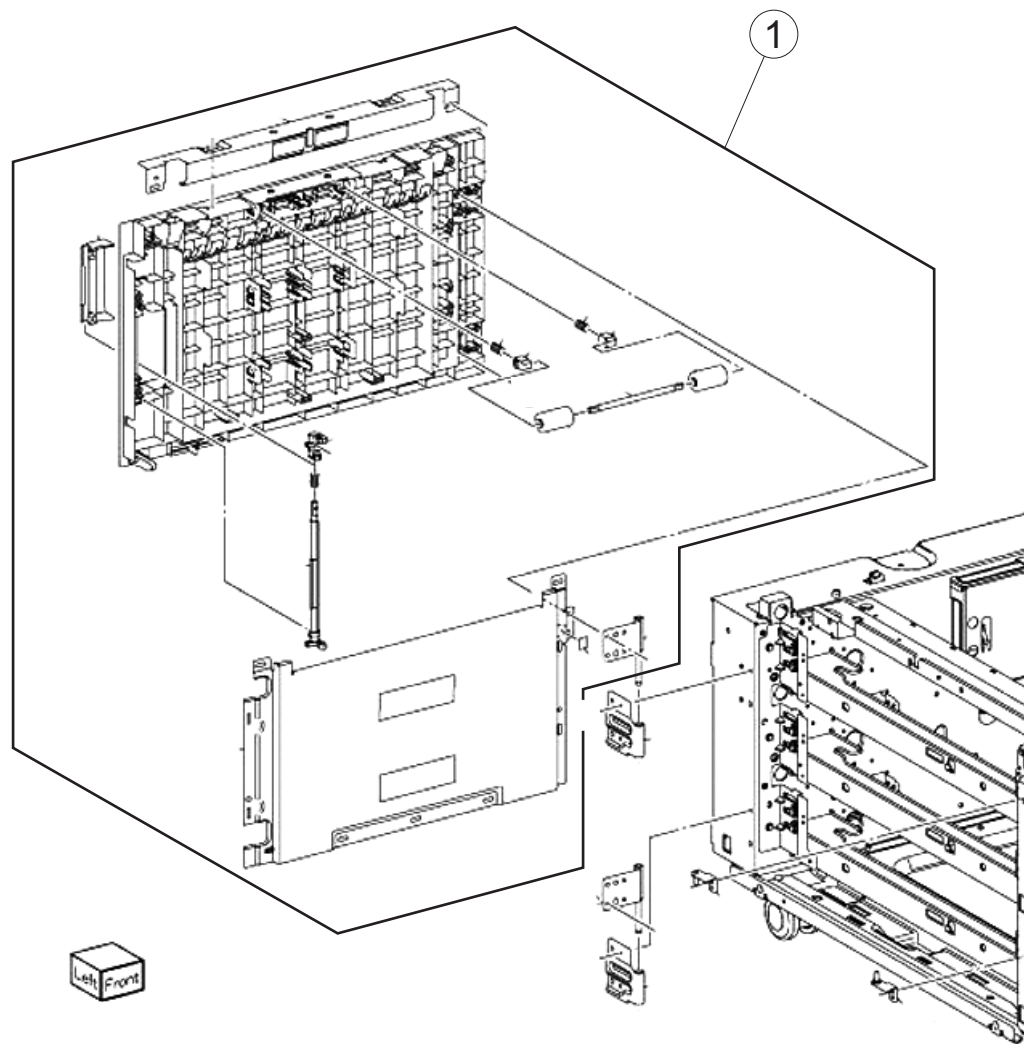


Go Back



Asm-index	Part number	Units/mach	Units/FRU	Description
38-1	40X6668	1	1	3TM 34T gear
2	40X6674	2	1	Tray module upper transport motor
3	40X7370	1	1	1TM interface cable
4	40X7369	1	1	1TM motor cable
5	40X7368	1	1	1TTM sensor cable
6	40X6667	3	1	1TM/3TM/TTM controller PCBA

## Assembly 39: 1TM left door



Previous



Next



Go Back

Asm-index	Part number	Units/mach	Units/FRU	Description
39-1	40X7371	1	1	1TM left door

### Assembly 40: 1TM covers

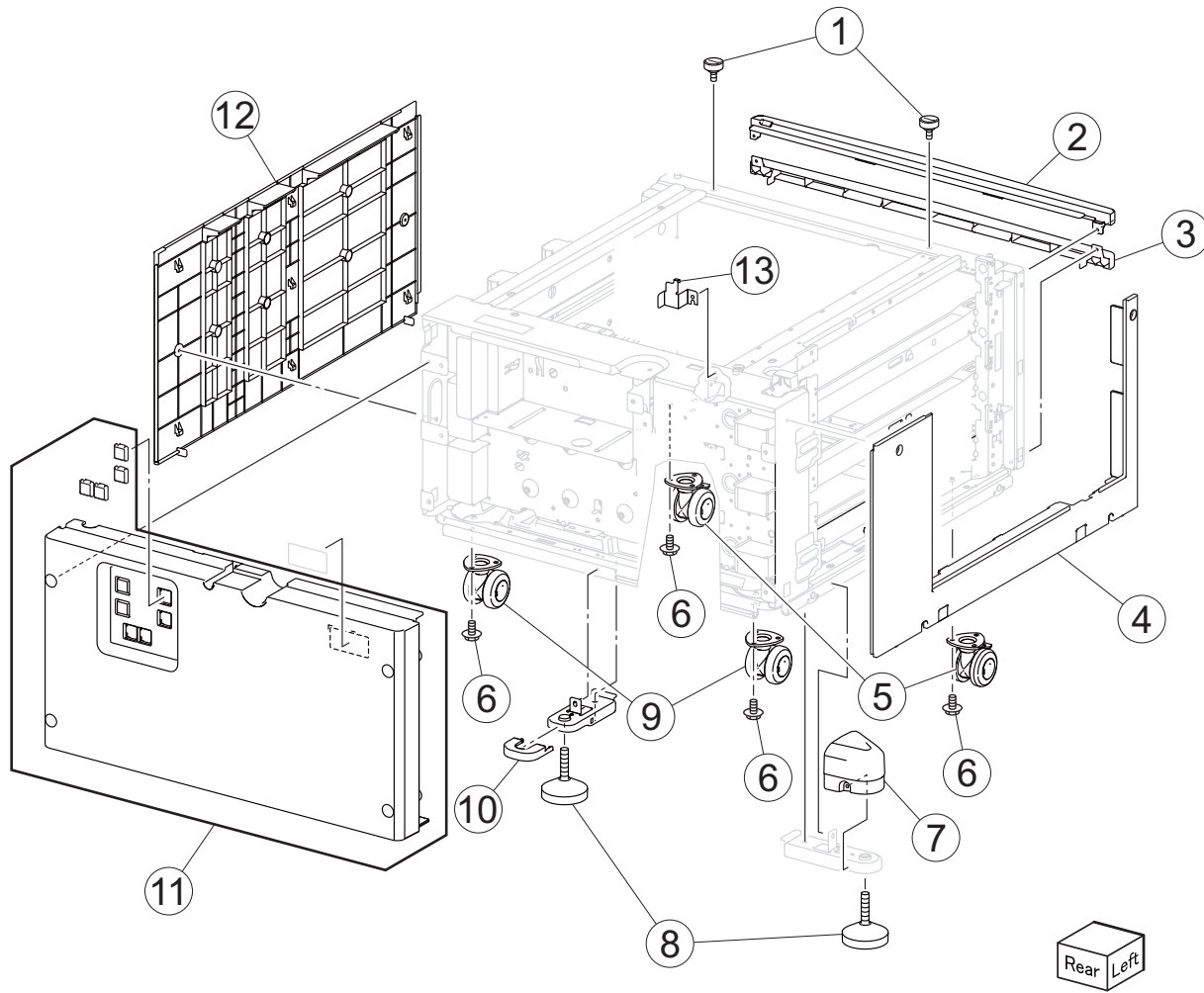
Previous



Next

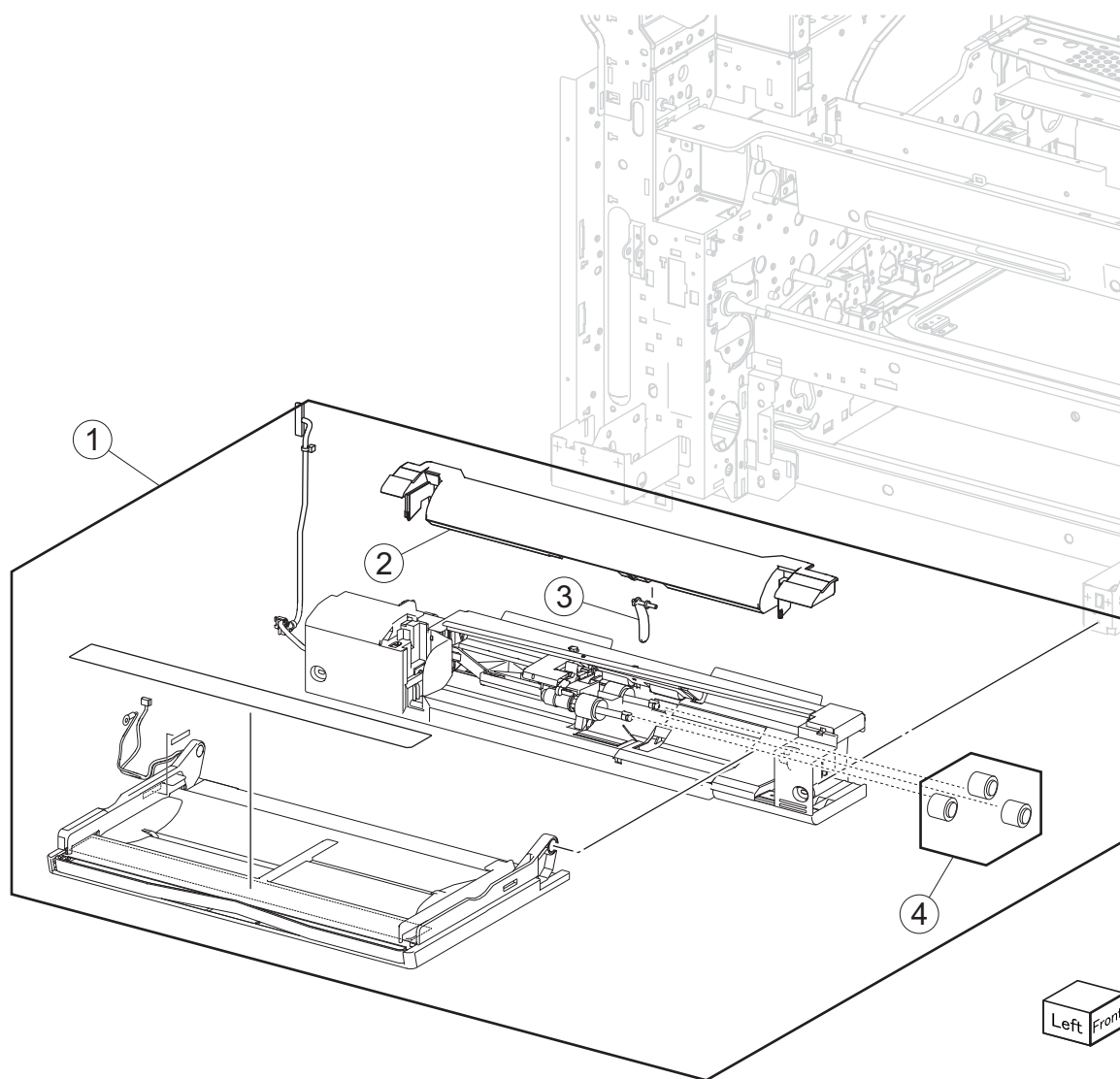


Go Back



Asm-index	Part number	Units/mach	Units/FRU	Description
40-1	40X6683	6	2	Docking screw
2	40X6688	3	1	Tray module top cover
3	40X6689	2	1	Tray module bottom cover
4	40X6690	3	1	Tray module left cover
5	40X6685	6	1	1TM/TTM/3TM locking caster
6	40X6583	12	1	1TM/TTM/3TM caster screw
7	40X6681	3	1	1TM/TTM/3TM foot side cover
8	40X6680	6	1	1TM/TTM/3TM adjuster foot
9	40X6686	6	1	1TM/TTM/3TM non-locking caster
10	40X6682	3	1	1TM/TTM/3TM foot rear cover
11	40X6687	3	1	Tray module rear cover
12	40X6691	3	1	Tray module right cover
13	40X6684	3	1	1TM/TTM/3TM docking bracket

## Assembly 41: MPF



Previous



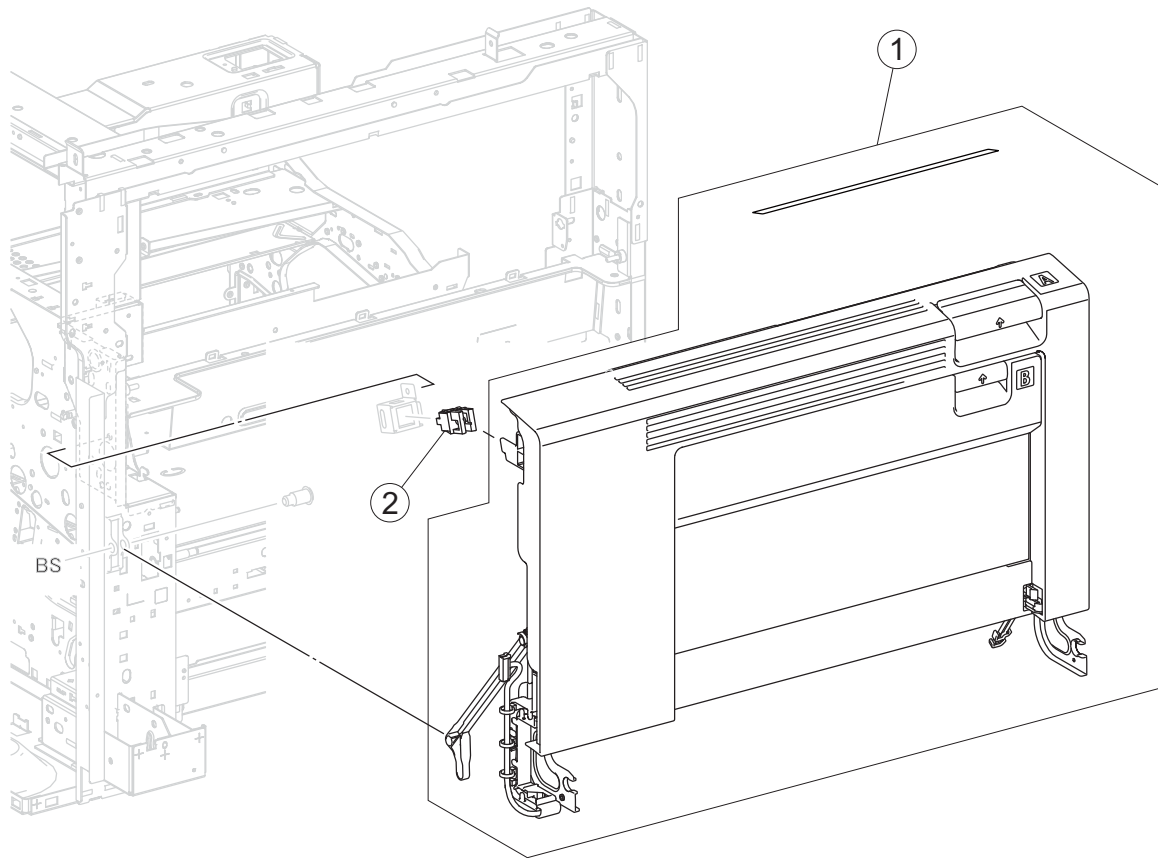
Next



Go Back

Asm-index	Part number	Units/mach	Units/FRU	Description
41-1	40X6707	1	1	MPF tray feeder
2	40X6708	1	1	MPF top cover
3	40X6709	1	1	MPF media present actuator
4	40X7534	1	1	MPF roller kit includes: <ul style="list-style-type: none"> <li>• MPF pick roller</li> <li>• MPF feed roller</li> <li>• MPF separation roller</li> </ul>

## Assembly 42: Printer left duplex door



Previous



Next



Go Back

Asm-index	Part number	Units/mach	Units/FRU	Description
42-1	40X7372	1	1	Printer left duplex door assembly
2	40X6710	1	1	Sensor (printer left duplex door interlock)



## Assembly 43: 2nd transfer roller

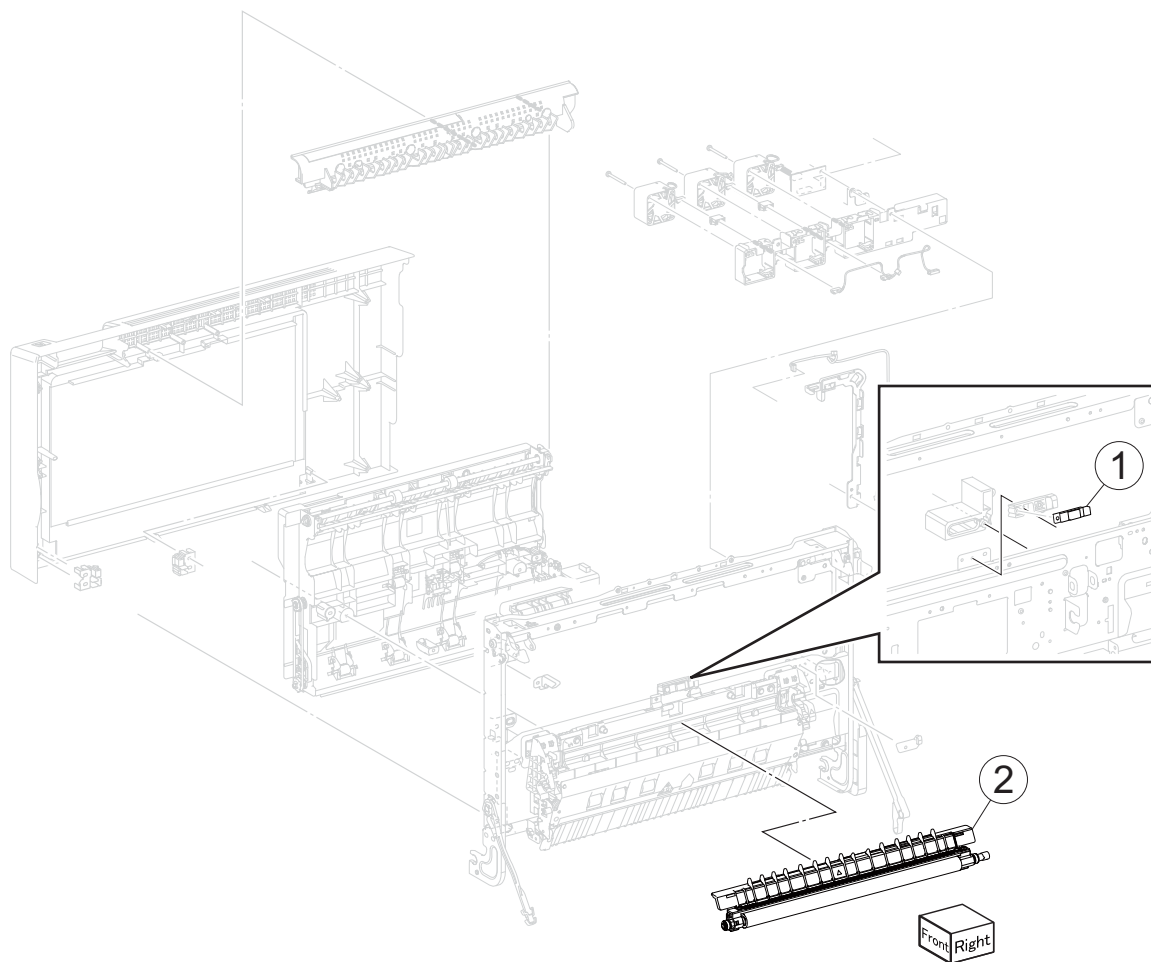
Previous



Next

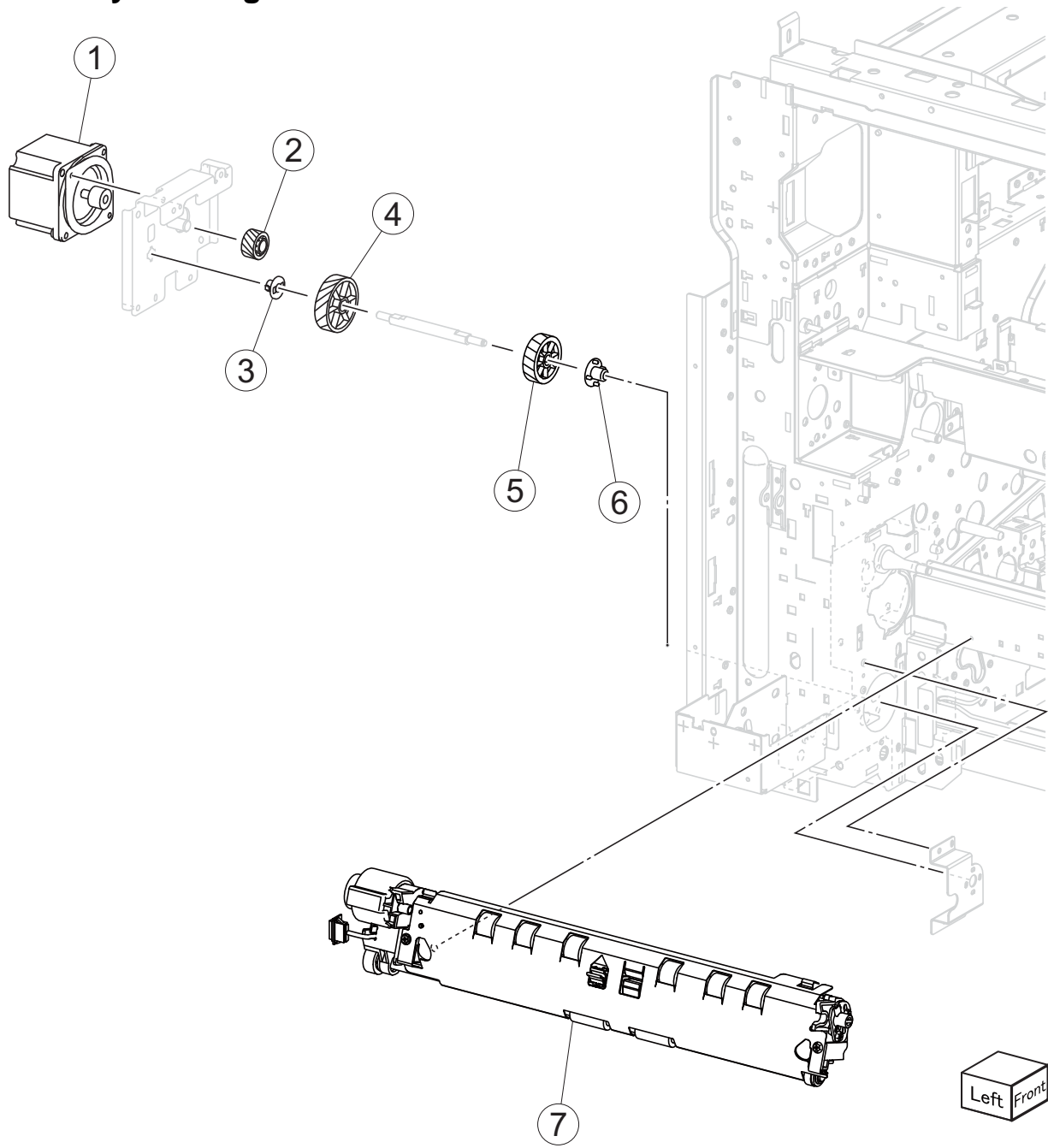


Go Back



Asm-index	Part number	Units/mach	Units/FRU	Description
43-1	40X3703			Sensor (media on belt)
2	40X6712	1	1	2nd transfer roller

### Assembly 44: Registration drive



Previous



Next



Go Back

Asm-index	Part number	Units/mach	Units/FRU	Description
44-1	40X6716	1	1	Media transport/MPF drive motor
2	40X6718	1	1	Transport 29T gear
3	40X6717	1	1	Rear bushing
4	40X6719	1	1	Transport 60T gear
5	40X6713	1	1	Registration 40T gear
6	40X6714	1	1	Front bushing
7	40X6715	1	1	Registration/transport roller assembly

## Assembly 45: Redrive 1

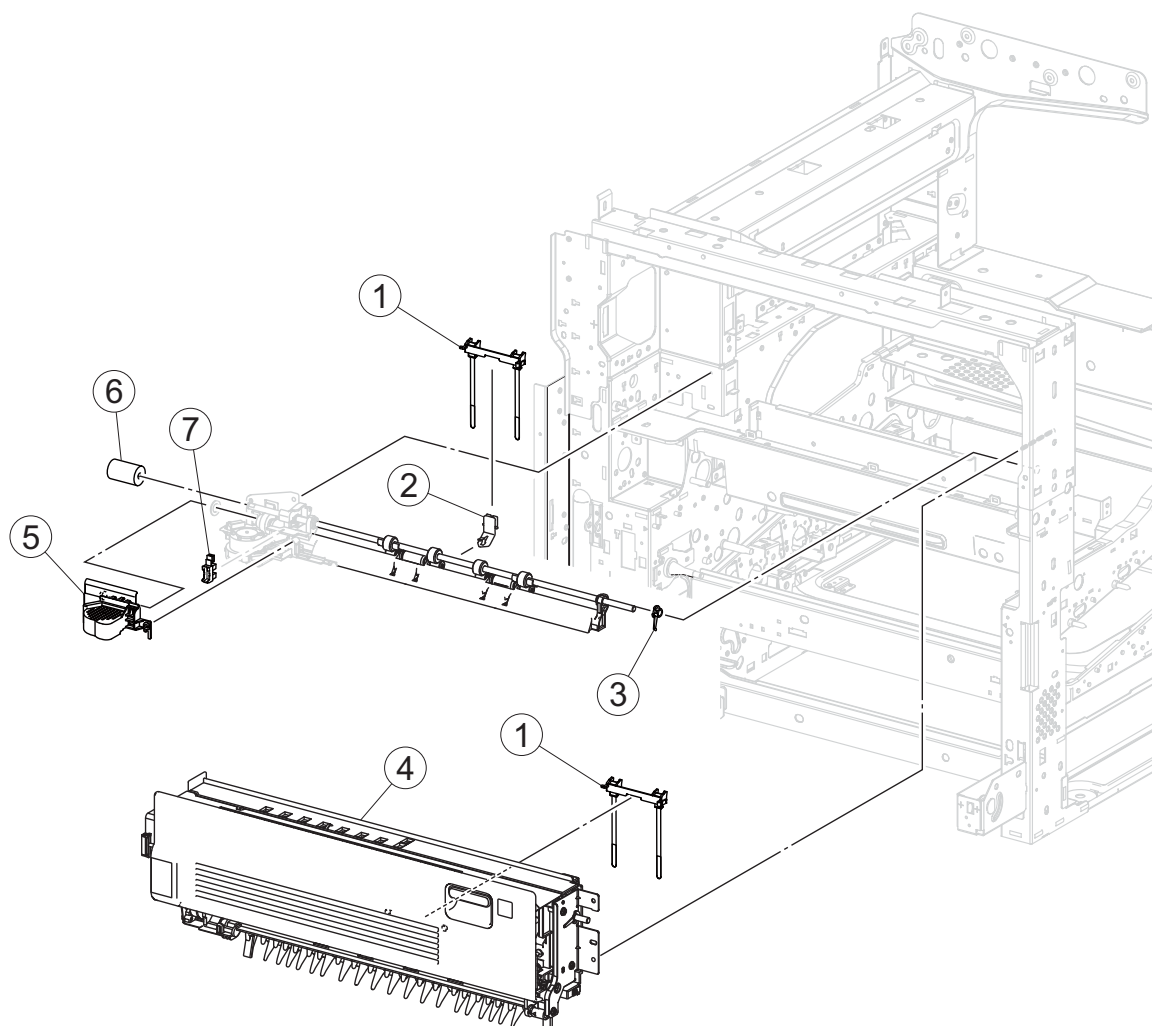
Previous



Next



Go Back



Asm-index	Part number	Units/mach	Units/FRU	Description
45-1	40X6722	2	1	Media bail
2	40X6724	1	1	Lower redrive guard
3	40X6721	1	1	Lower redrive front bushing
4	40X6723	1	1	Upper redrive assembly
5	40X7373	1	1	Plastic motor cover
6	40X6720	1	1	Lower redrive 19T gear
7	40X0588	17	1	Sensor (lower redrive shift HP)

## Assembly 46: Redrive 2

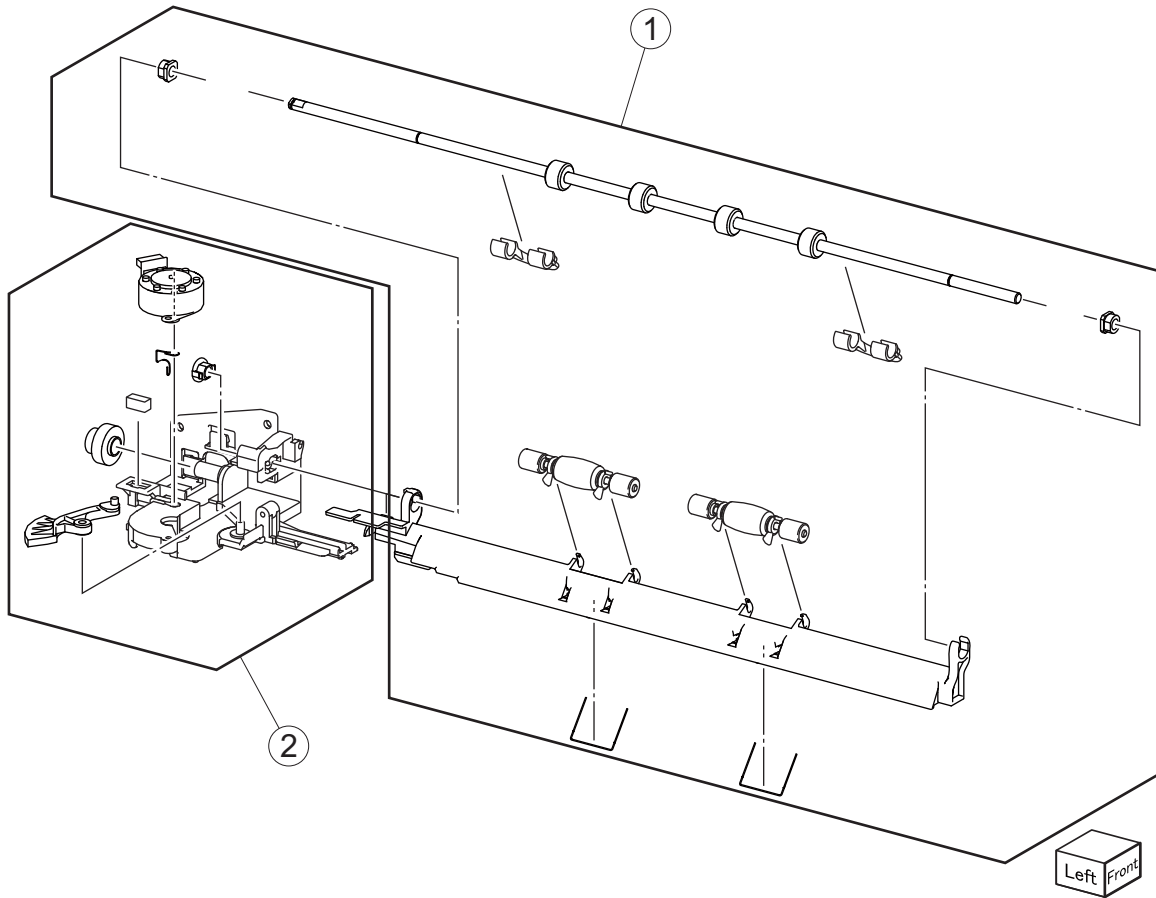
Previous



Next



Go Back



Asm-index	Part number	Units/mach	Units/FRU	Description
46-1	40X7472	1	1	Lower redrive shaft assembly
2	40X6725	1	1	Lower redrive shift motor assembly

## Assembly 47: Electrical 1

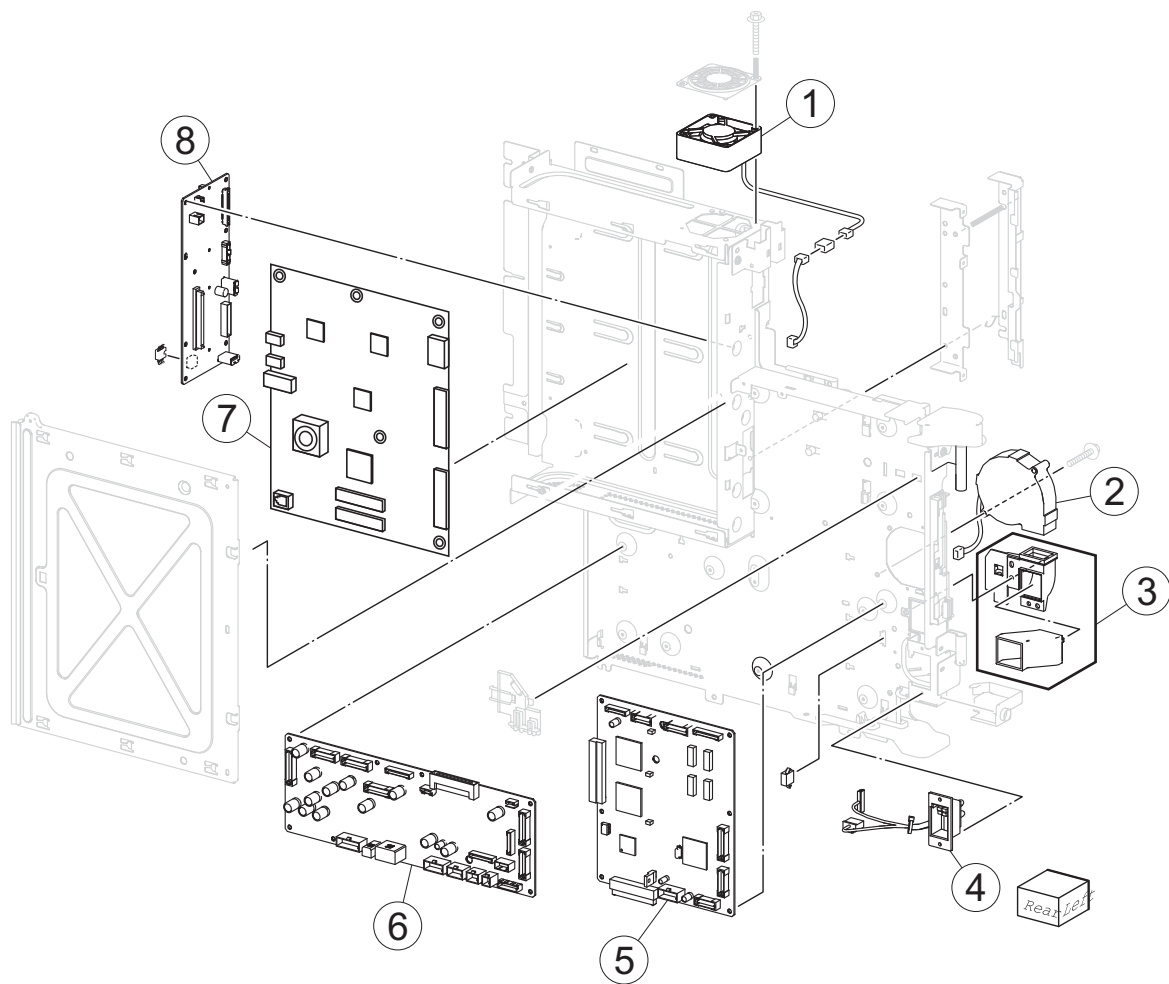
Previous



Next



Go Back



Asm-index	Part number	Units/mach	Units/FRU	Description
47-1	40X6728	1	1	Controller cooling fan
2	40X6729	1	1	Suction fan
3	40X6733	1	2	Suction fan duct
4	40X6732	1	1	HCF interface contact
5	40X6730	1	1	Upper printer engine PCBA
6	40X6731	1	1	Lower engine PCBA
7	40X7462	1	1	RIP PCBA (SFP)
8	40X6726	1	1	Bridge PCBA (SFP)

## Assembly 48: Electrical 2

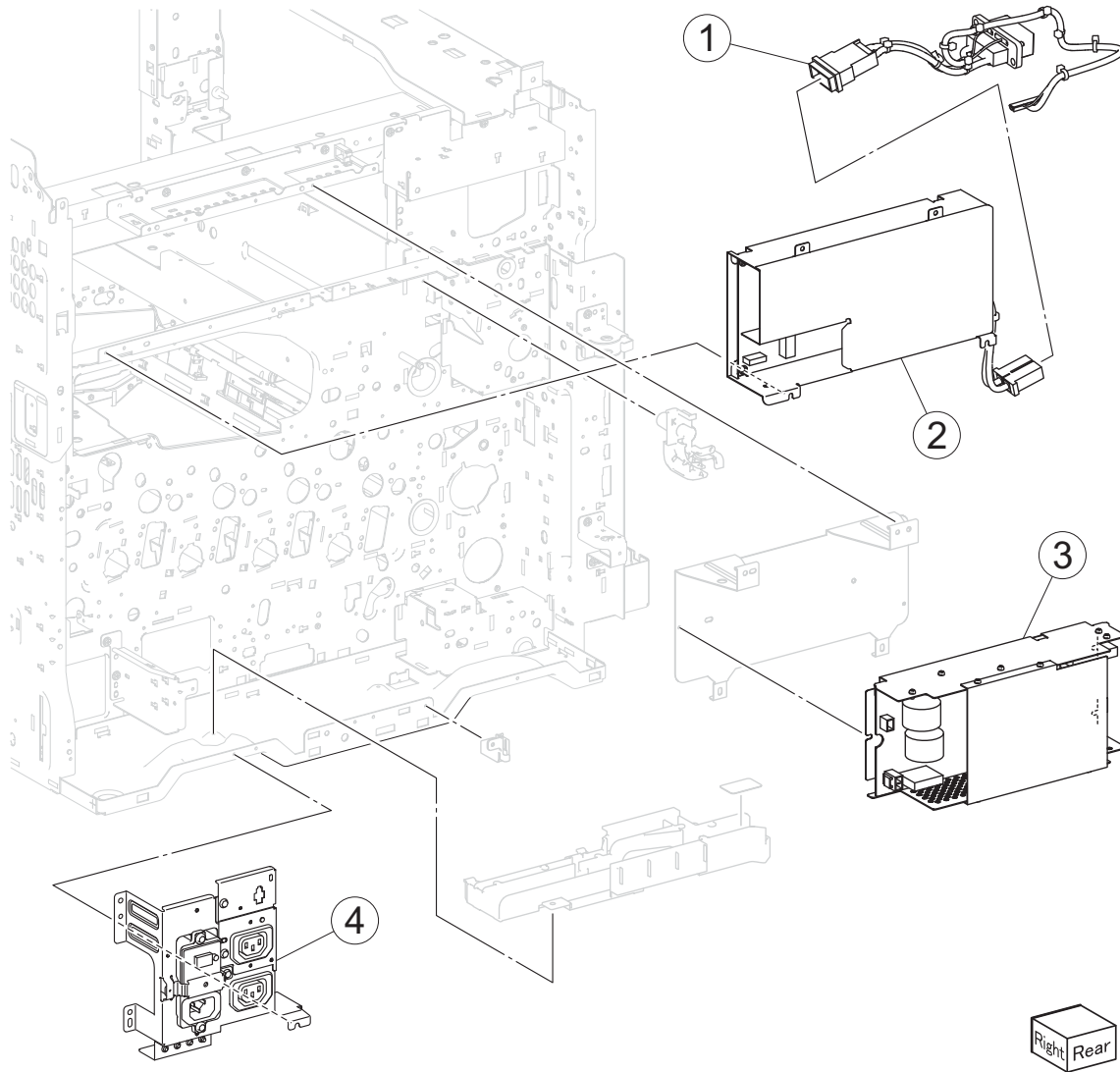
Previous



Next



Go Back



Asm-index	Part number	Units/mach	Units/FRU	Description
48-1	40X6736	1	1	Fuser power contact 110V
1	40X7376	1	1	Fuser power contact 220V
2	40X6735	1	1	Fuser driver PCBA 110V
2	40X7375	1	1	Fuser driver PCBA 220V
3	40X6737	1	1	Sub LVPS PCBA
4	40X6734	1	1	Main power GFI interface 110V
4	40X7374			Main power GFI interface 220V

## Assembly 49: Electrical 3

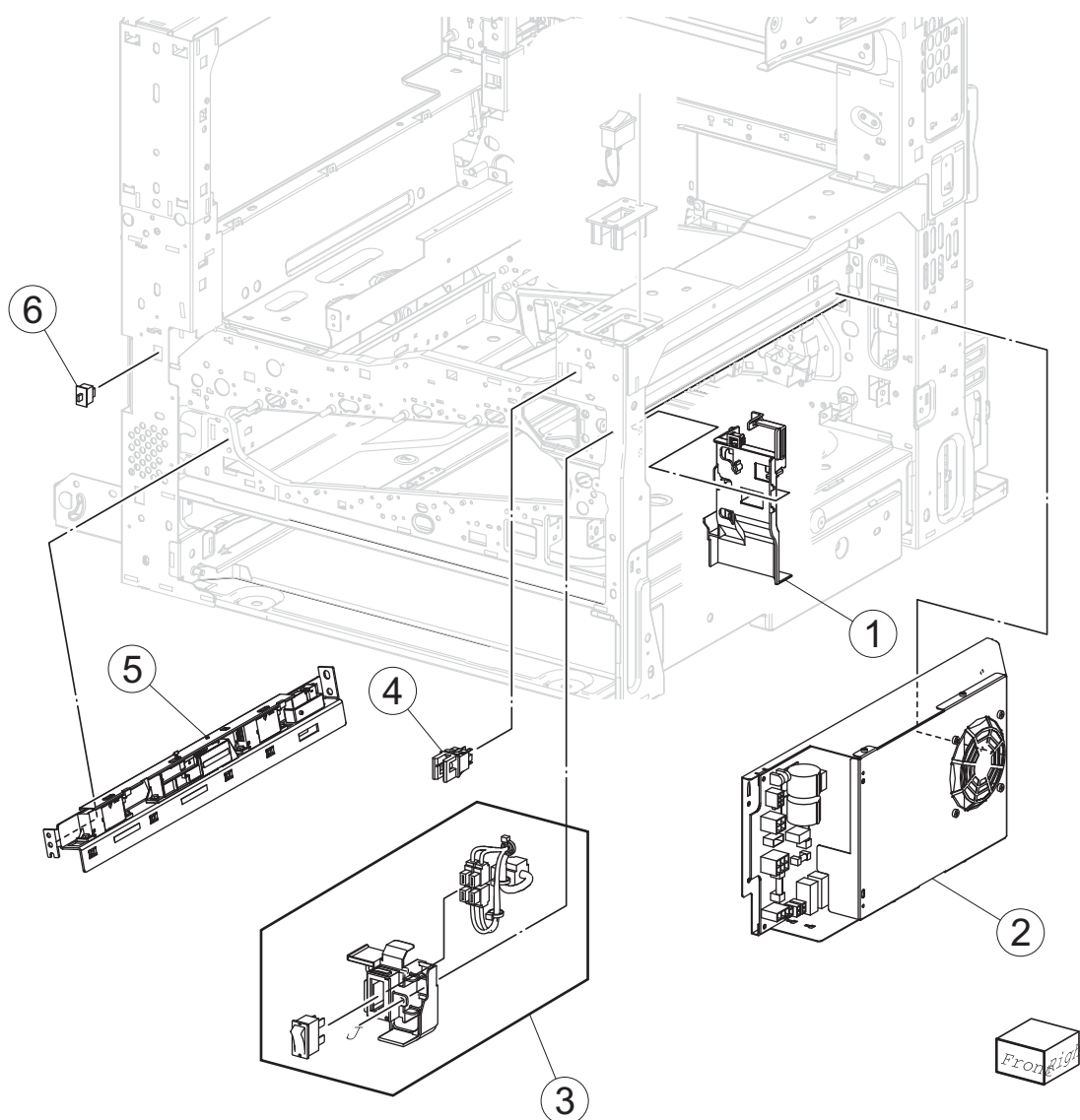
Previous



Next



Go Back



Asm-index	Part number	Units/mach	Units/FRU	Description
49-1	40X6739	1	1	LVPS front fan guide
2	40X6762	1	1	LVPS PCBA
3	40X6738	1	1	Main power switch
4	40X6710	1	1	Sensor (printer right front door interlock)
5	40X6740	1	1	Sensor (Image calibration)
6	40X6761	1	1	Front door sensor

# Assembly 50: Electrical 4

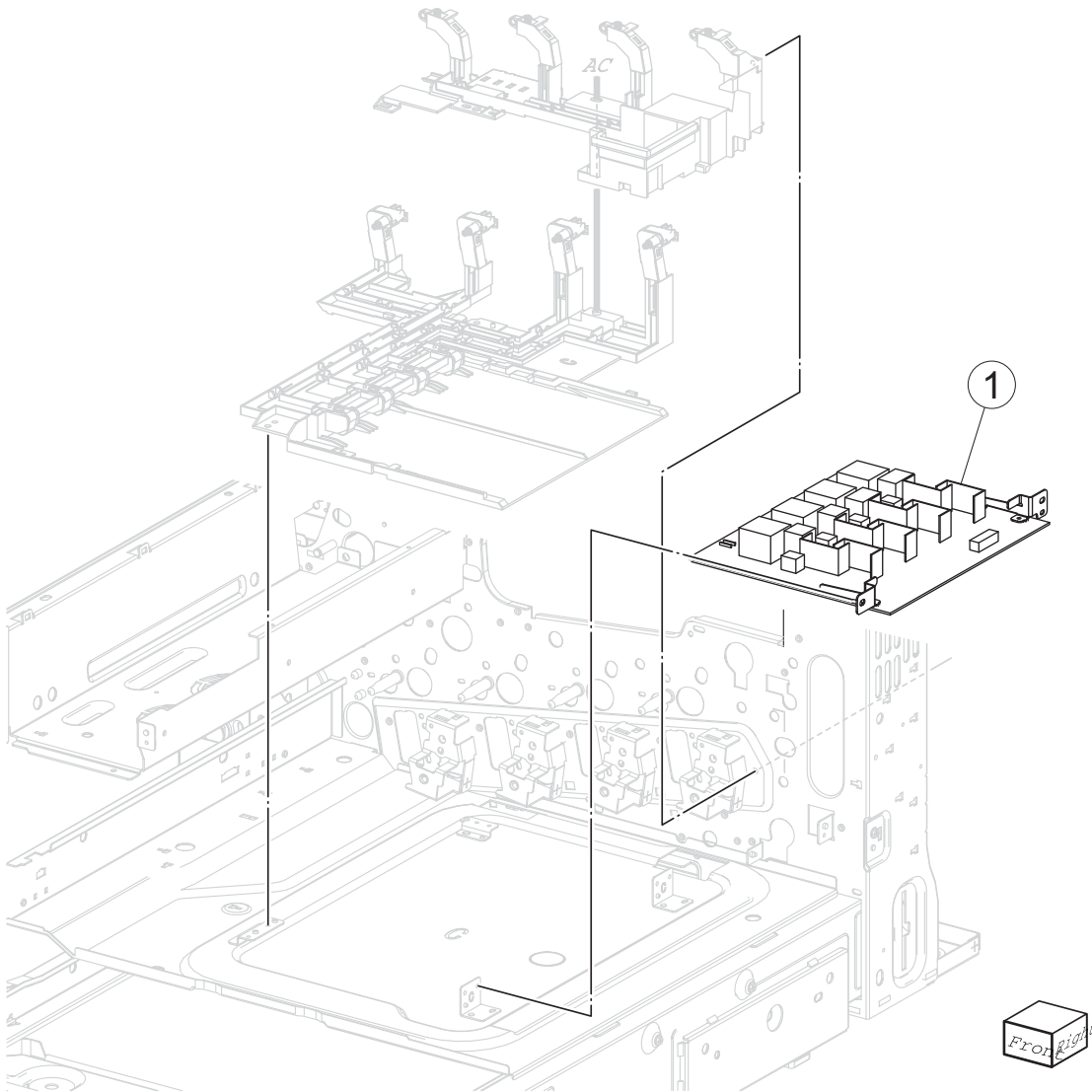
Previous



Next



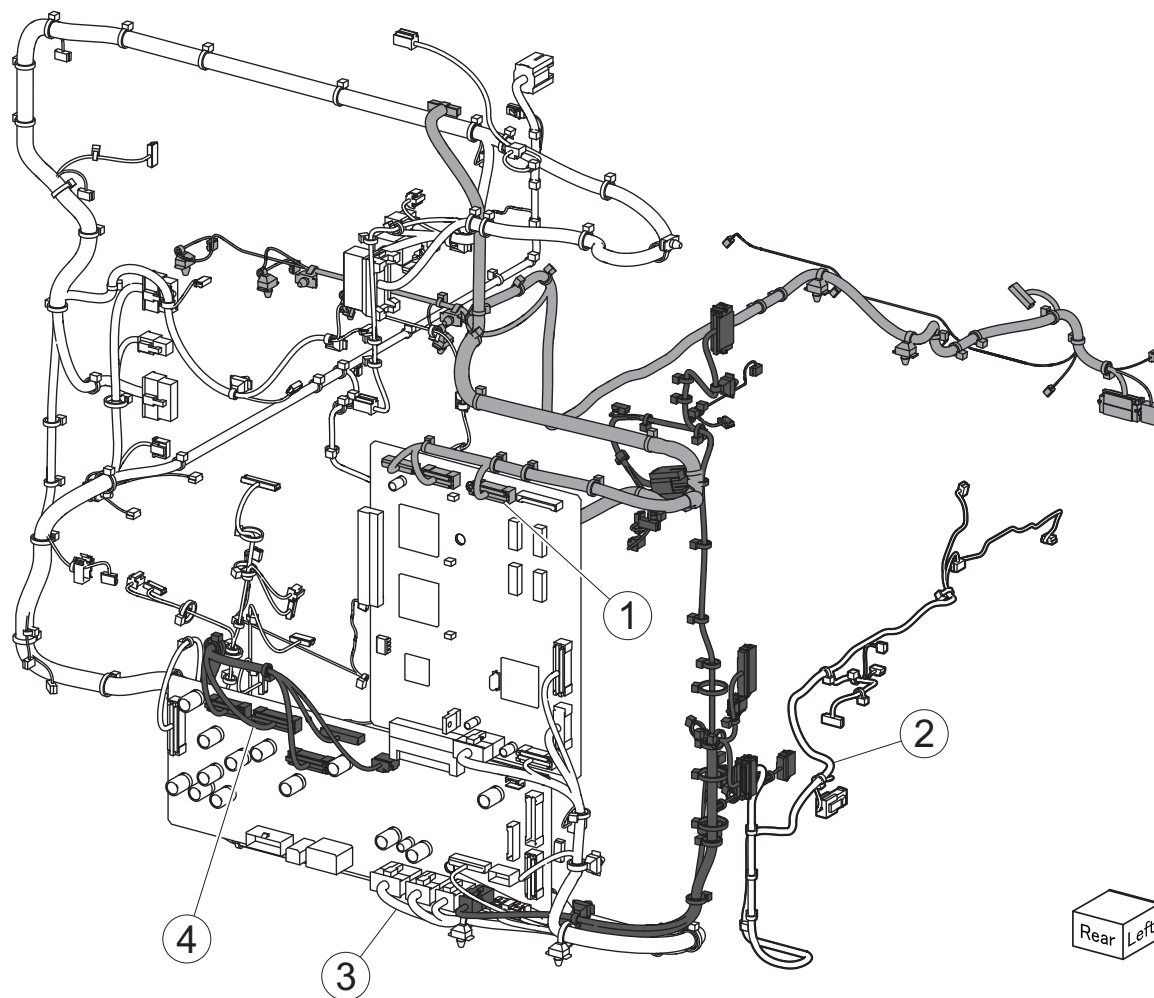
Go Back



Asm-index	Part number	Units/mach	Units/FRU	Description
50-1	40X6763	1	1	Charge roll HVPS PCBA



## Assembly 51: Base wiring cables



Previous



Next



Go Back

Asm-index	Part number	Units/mach	Units/FRU	Description
51-1	40X6766	1	1	Base wiring top cable
2	40X6764	1	1	Base left wiring cable
3	40X6765	1	1	Base right wiring cable
4	40X6767	1	1	Base wiring bottom cable

## Assembly 52: Printer front door

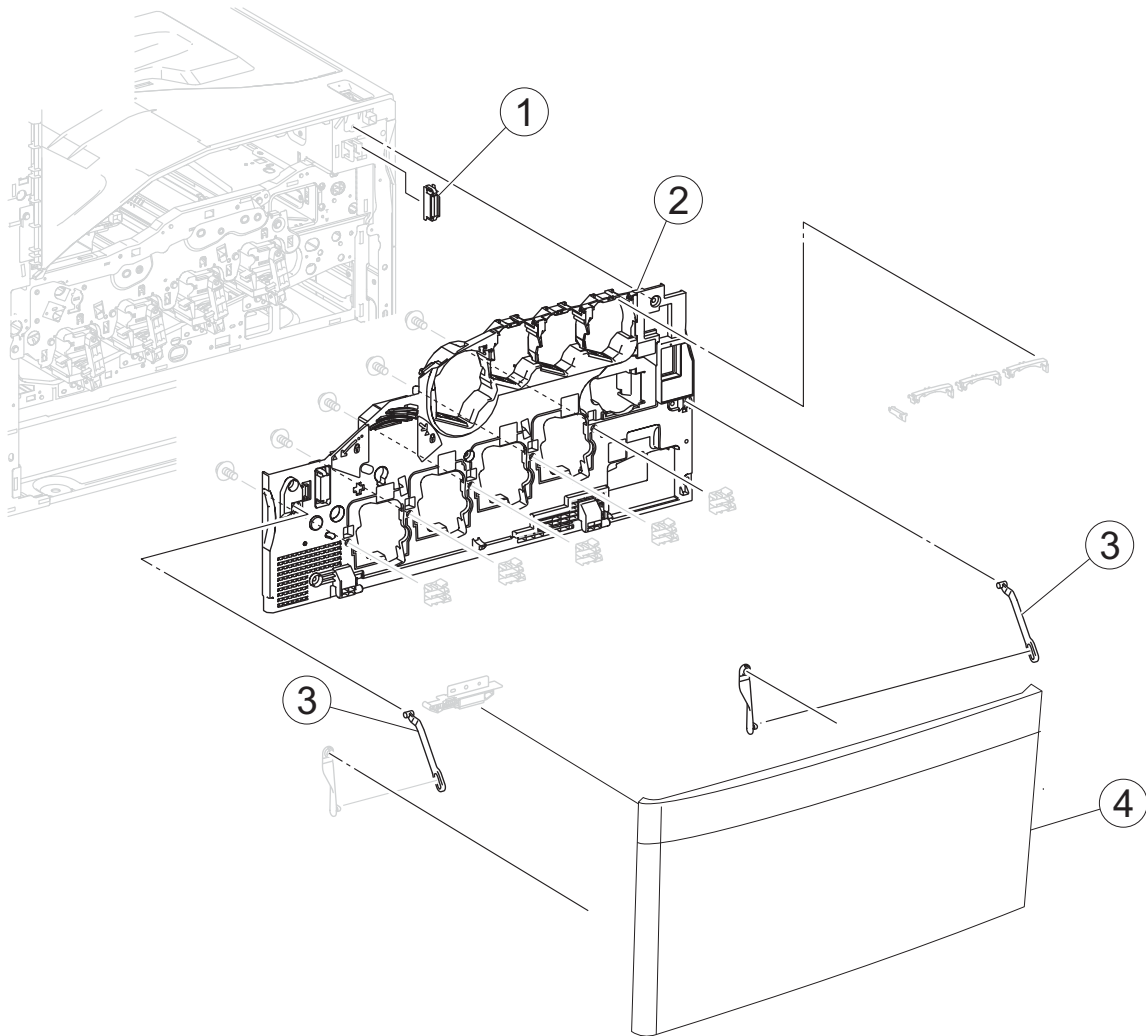
Previous



Next

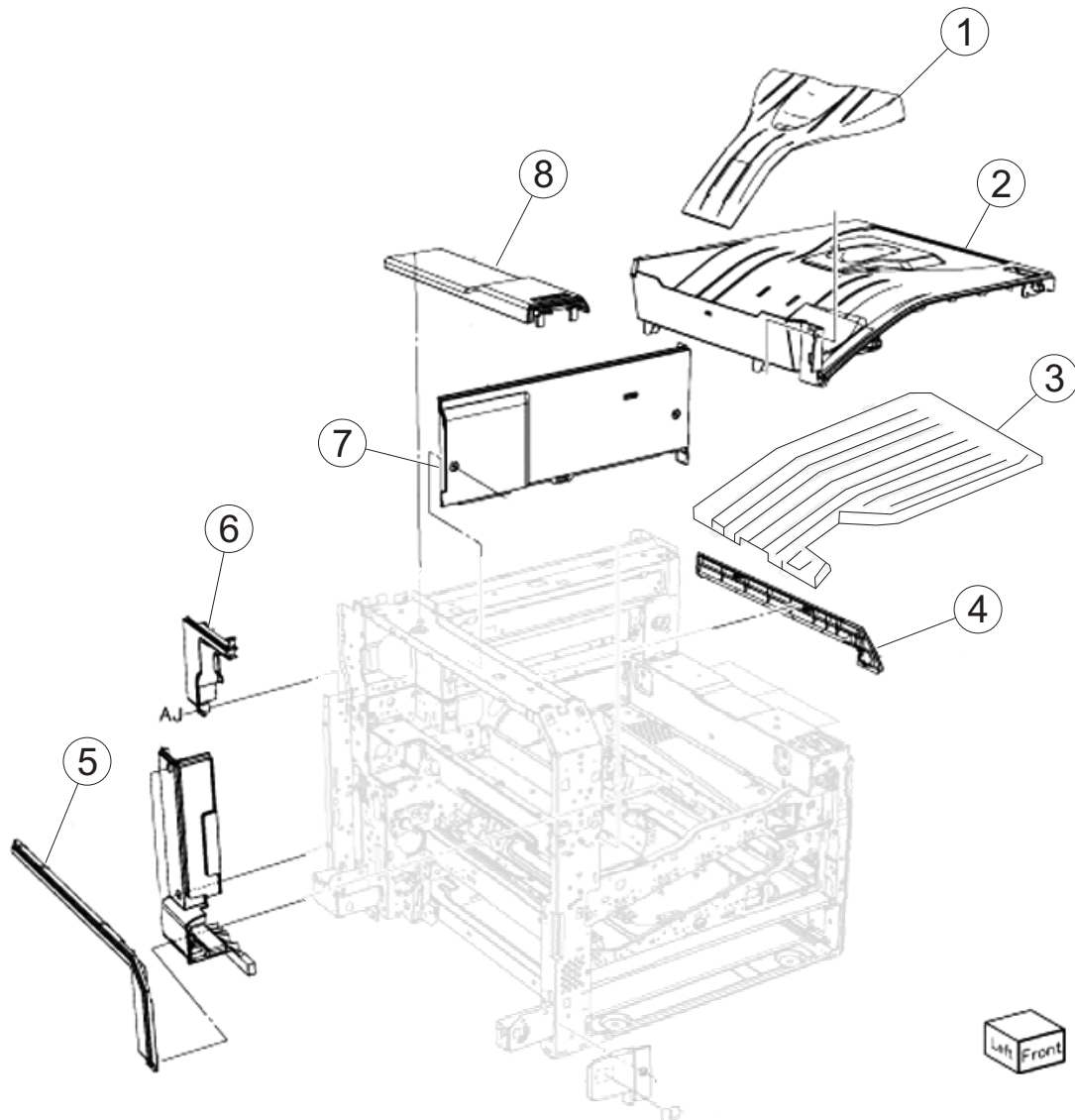


Go Back



Asm-index	Part number	Units/mach	Units/FRU	Description
52-1	40X7377	2	1	Magnetic catch
2	40X7381	1	1	Inner cover
3	40X7378	2	1	Printer front door support strap
4	40X7379	1	1	Printer front door

## Assembly 53: Printer covers (SFP) 1



Previous



Next



Go Back

Asm-index	Part number	Units/mach	Units/FRU	Description
53-1	40X6772	1	1	Standard bin insert
2	40X6774	1	1	Printer top cover
3	40X7764	1	1	Upper internal bin
4	40X7384	1	1	Internal top cover (SFP)
5	40X7383	1	1	Left cover (SFP)
6	40X7382	1	1	Left rear upper cover (SFP)
7	40X7385	1	1	Internal rear cover (SFP)
8	40X7386	1	1	Left top cover (SFP)

## Assembly 54: Printer covers (SFP) 2

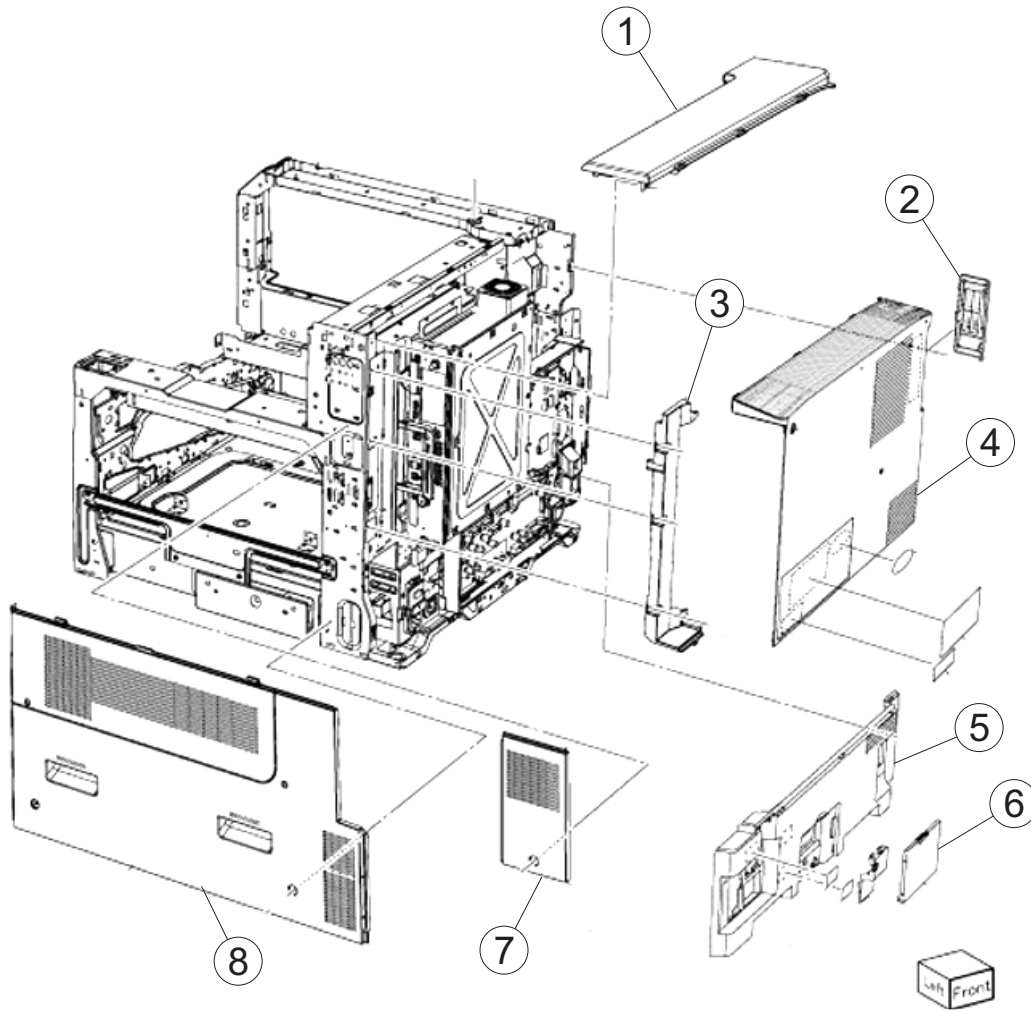
Previous



Next



Go Back



Asm-index	Part number	Units/mach	Units/FRU	Description
1	40X7393	1	1	Top rear cover
2	40X7390	1	1	Filter cover (SFP)
3	40X7391	1	1	Controller box cover (SFP)
4	40X7389	1	1	Rear upper cover (SFP)
5	40X7535	1	1	Rear lower cover
6	40X6785	1	1	Input tray interface cover
7	40X7388	1	1	Right rear cover (SFP)
8	40X6781	1	1	Printer right cover

## Assembly 55: Finisher—bridge unit

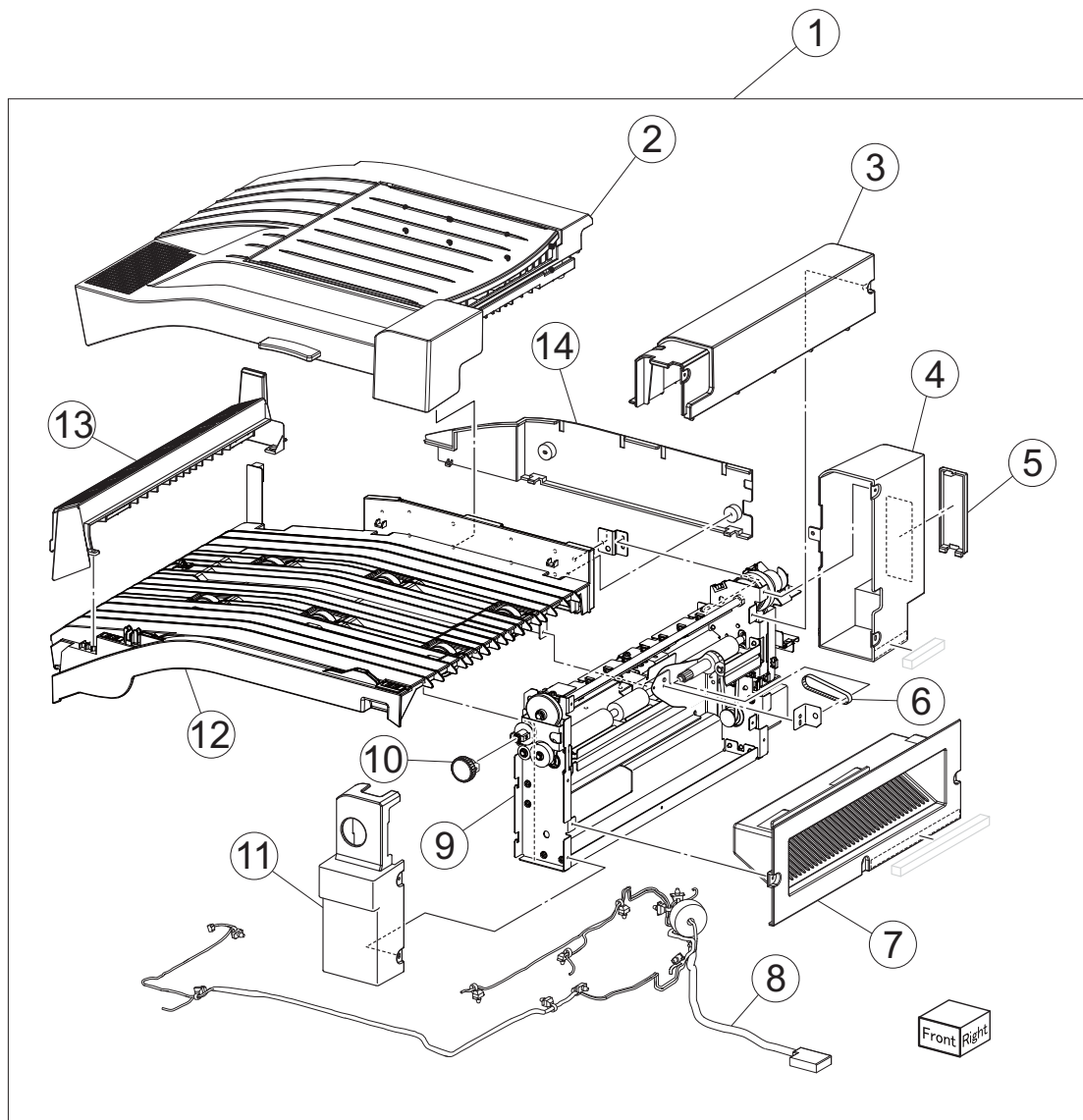
Previous



Next



Go Back



Asm-index	Part number	Units/mach	Units/FRU	Description
55-1	40X6826	1	1	Bridge unit
2	40X6838	1	1	Bridge top door assembly
3	40X6836	1	1	Bridge decurler top cover
4	40X6833	1	1	Bridge decurler rear cover
5	40X7405	1	1	Connector cover
6	40X6830	1	1	Bridge unit small belt
7	40X6835	1	1	Bridge decurler right cover
8	40X6837	1	1	Bridge interface cable
9	40X6829	1	1	Bridge media exit transport
10	40X6827	1	1	Clutch knob
11	40X6831	1	1	Bridge front cover

### Assembly 55 (continued): Finisher—bridge unit

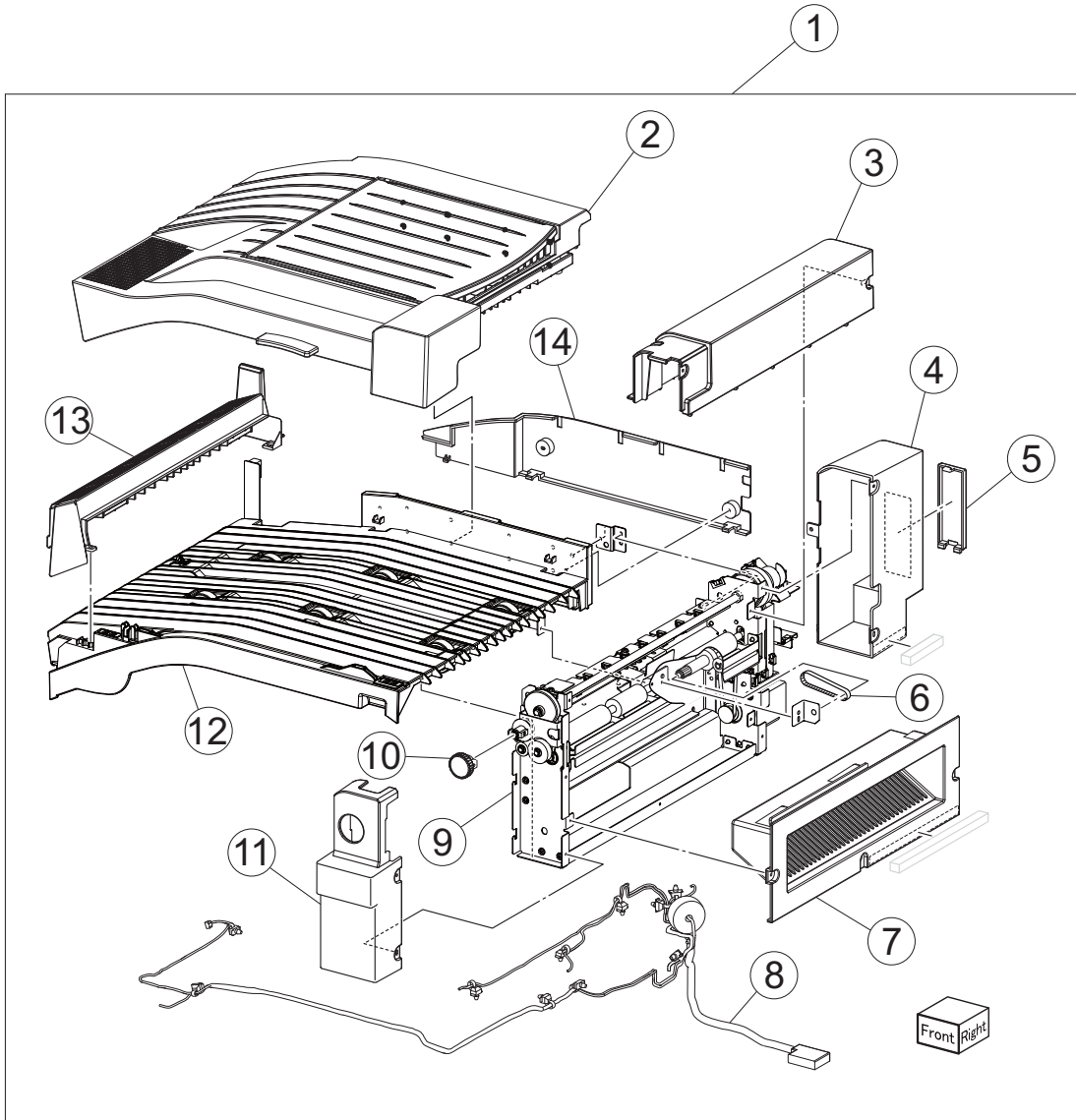
Previous



Next



Go Back



Asm-index	Part number	Units/mach	Units/FRU	Description
12	40X7404	1	1	Bridge unit base assembly
13	40X6828	1	1	Bridge entry guide
14	40X6832	1	1	Bridge rear cover

## Assembly 56: Finisher—bridge top door assembly

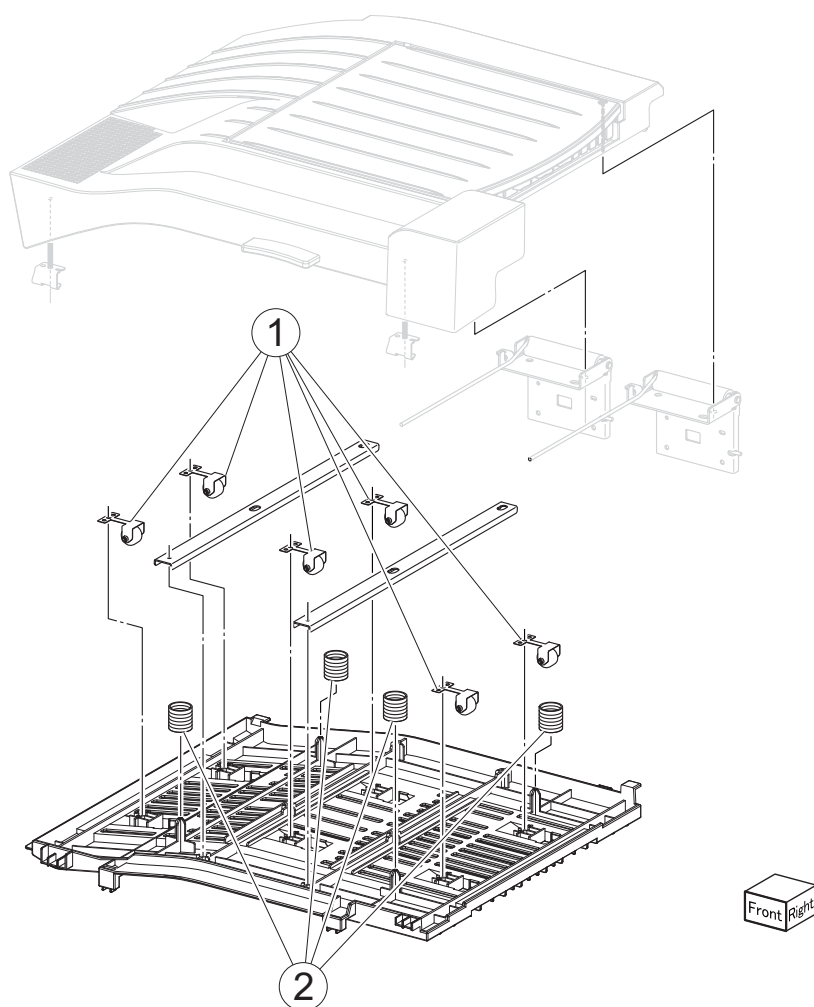
Previous



Next



Go Back



Asm-index	Part number	Units/mach	Units/FRU	Description
56-1	40X0918	6	1	Upper media exit pinch roll
2	40X6839	4	1	Bridge unit top door spring

### Assembly 57: Finisher—media drive 1

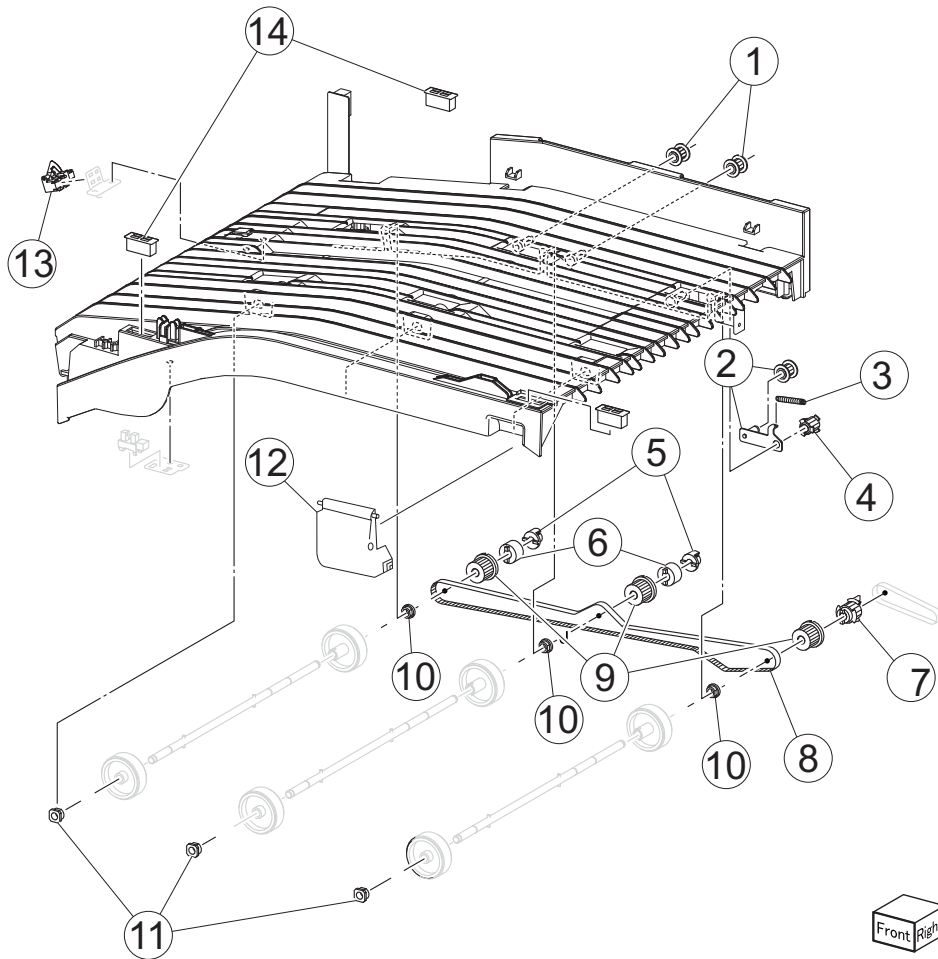
Previous



Next



Go Back



Asm-index	Part number	Units/mach	Units/FRU	Description
57-1	40X4128	2	1	Belt idler pulley
2	40X6844	1	1	Bridge tension bracket
3	40X6845	1	1	Recoil spring
4	40X6840	1	1	Bridge idler pulley
5	40X3963	2	1	Retainer
6	40X3962	2	1	Torque limiter
7	40X6841	1	1	Bridge drive pulley
8	40X7408	1	1	Bridge large drive belt
9	40X6842	3	1	Bridge drive pulley
10	40X7406	3	1	Bushing
11	40X0880	3	1	Plastic bushing
12	40X7409	1	1	Power switch cover
13	40X6843	1	1	Sensor (bridge media entrance)
14	40X0824	2	1	Magnetic catch



## Assembly 58: Finisher—media drive 2

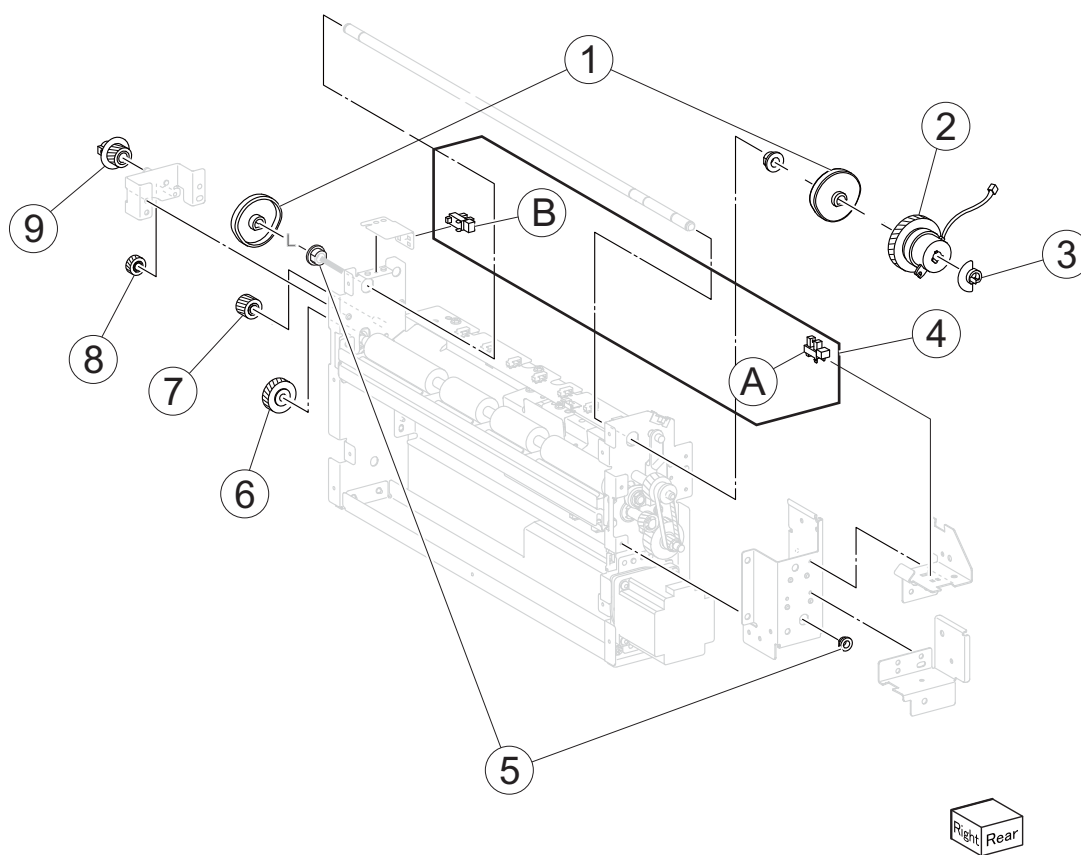
Previous



Next



Go Back



Asm-index	Part number	Units/mach	Units/FRU	Description
1	40X6847	1	1	Bridge decurler cam
2	40X6848	1	1	Bridge decurler cam clutch
3	40X3917	1	1	Sensor flag
4	40X0825	3	1	A) Sensor (decurler cam HP) B) Sensor (decurler cover interlock)
5	40X1388	1	1	Bearing
6	40X6111	1	1	Bridge one way gear
7	40X6850	1	1	Bridge gear 18T
8	40X6851	1	1	Bridge gear 16T
9	40X6849	1	1	Bridge knob gear 18T

### Assembly 59: Finisher—media drive 3

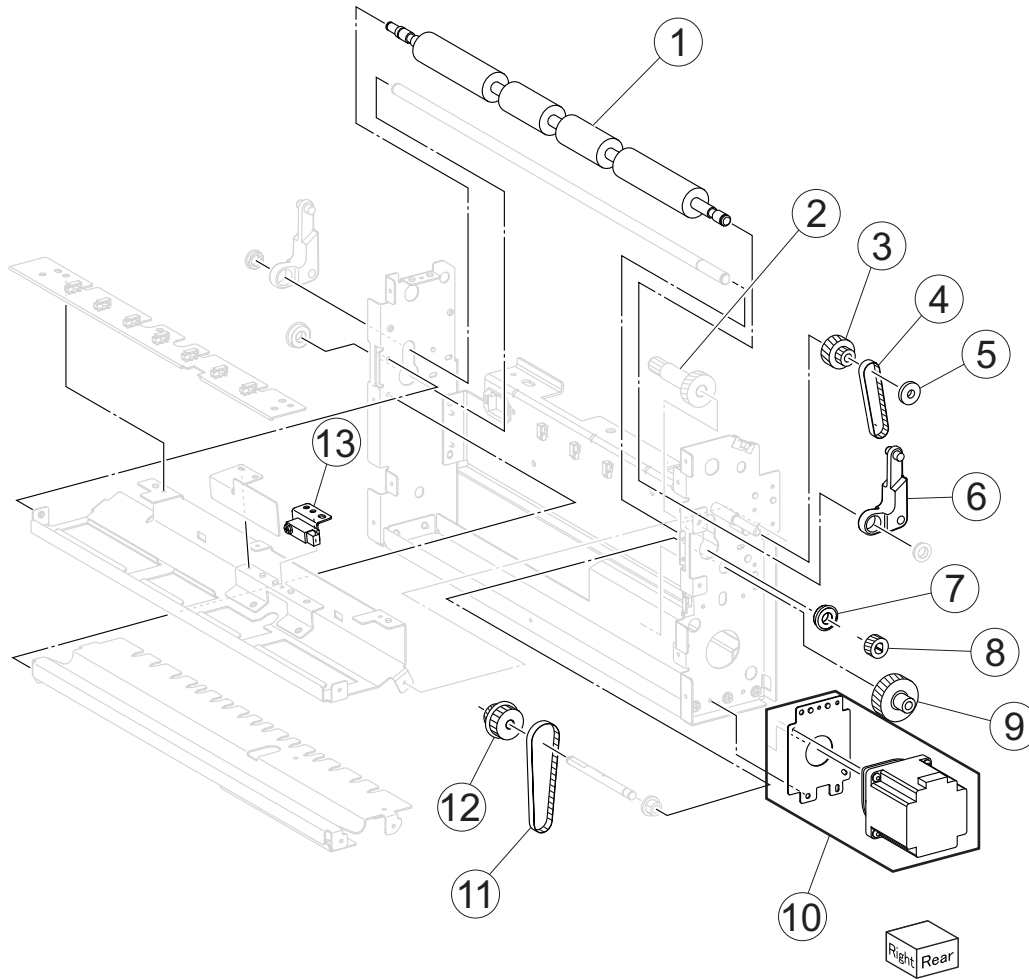
Previous



Next

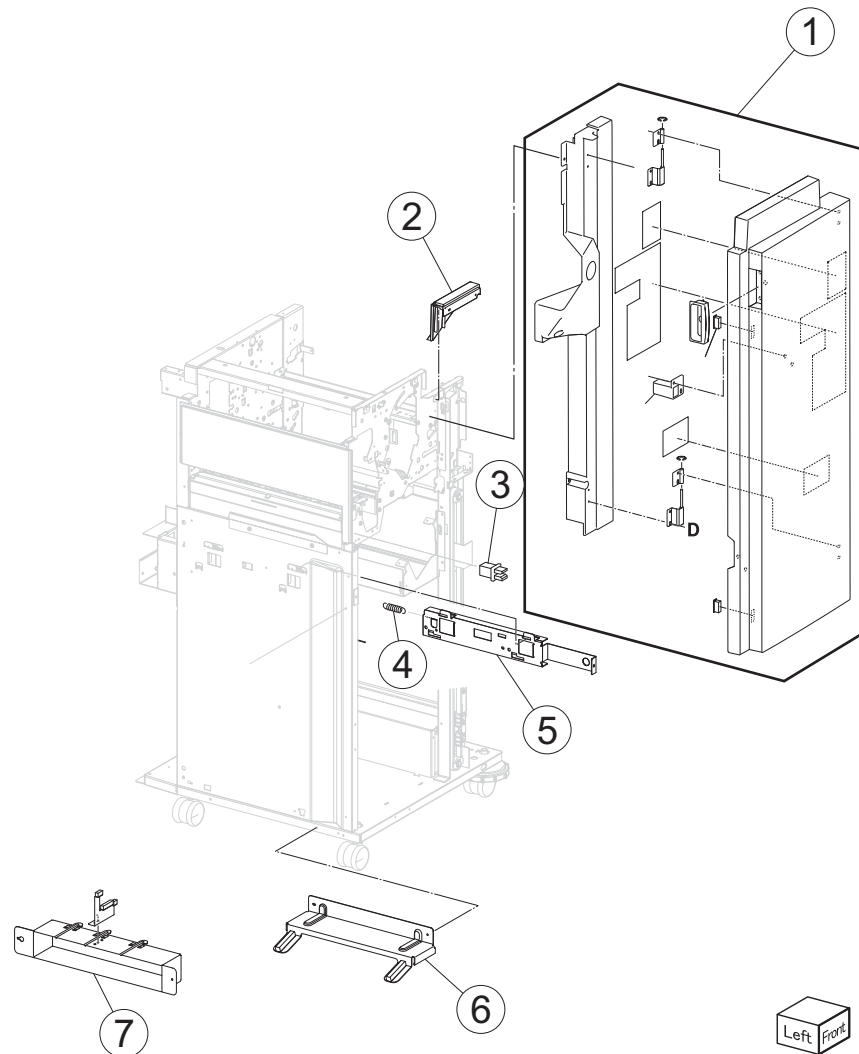


Go Back



Asm-index	Part number	Units/mach	Units/FRU	Description
59-1	40X6854	1	1	Bridge decurler roll
2	40X6859	1	1	Bridge gear 27T/18T
3	40X6858	1	1	Bridge gear 24T/20T
4	40X7413	1	1	Bridge upper drive belt
5	40X7410	1	1	Bridge drive retainer
6	40X6853	2	1	Bridge decurler arm
7	40X1388	2	1	Bushing
8	40X6856	1	1	Bridge gear 16T
9	40X6852	1	1	Bridge gear 36T/18T
10	40X6860	1	1	Bridge drive motor
11	40X7412	1	1	Bridge lower drive belt
12	40X6857	1	1	Bridge gear 18T/36T
13	40X6855	1	1	Sensor (bridge media exit)

## Assembly 60: Finisher—covers and front door



Previous



Next



Go Back

Asm-index	Part number	Units/mach	Units/FRU	Description
60-1	40X7415	1	1	Finisher front door assembly
2	40X7414	1	1	Upper media bin front cover
3	40X0840	1	1	Sensor (finisher front door interlock)
4	40X7470	1	1	Spring
5	40X3932	1	1	Finisher dock plate
6	40X7475	1	1	Finisher grounding plate
7	40X7474	2	1	Finisher docking bracket

## Assembly 61: Finisher—covers

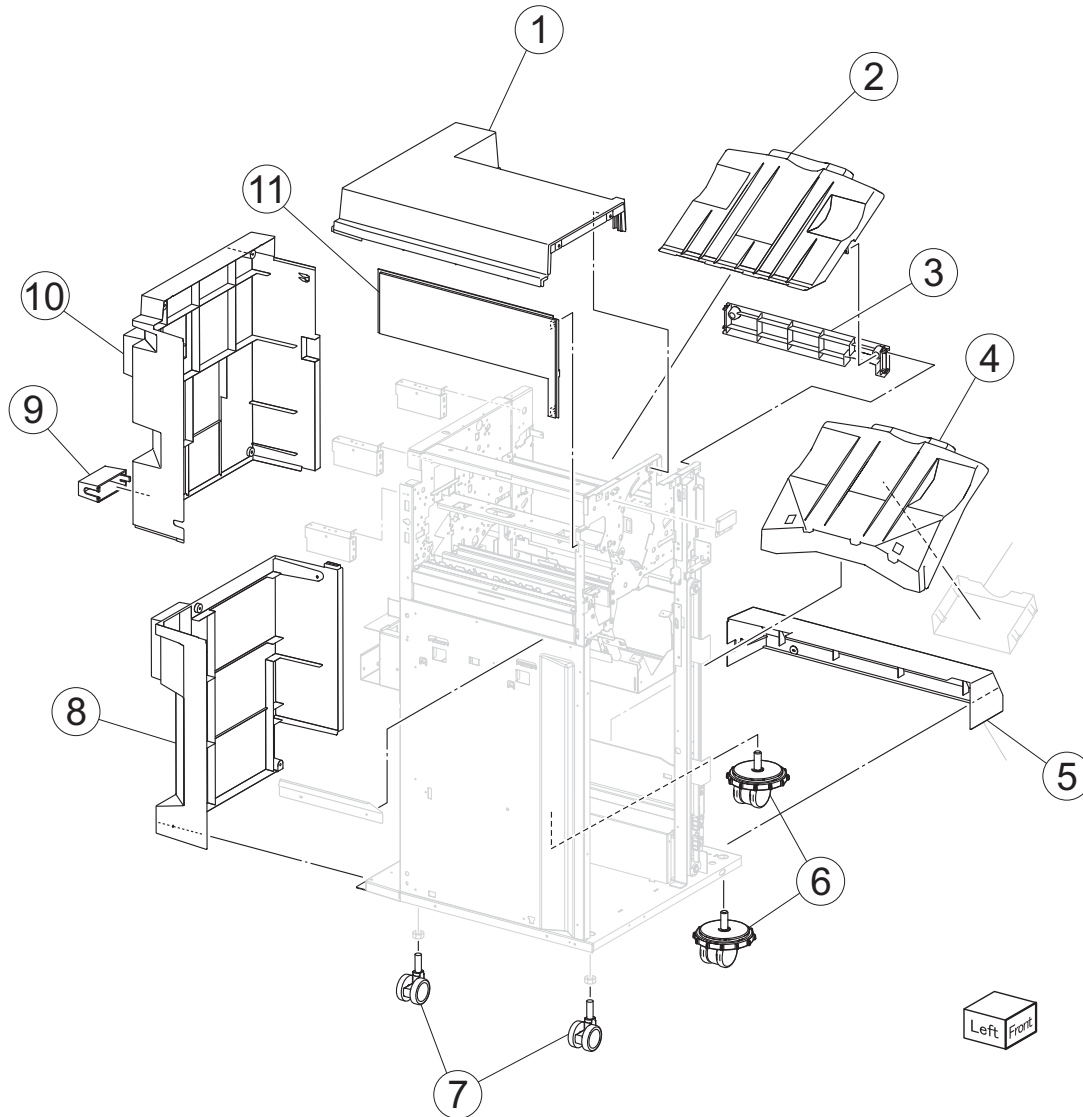
Previous



Next

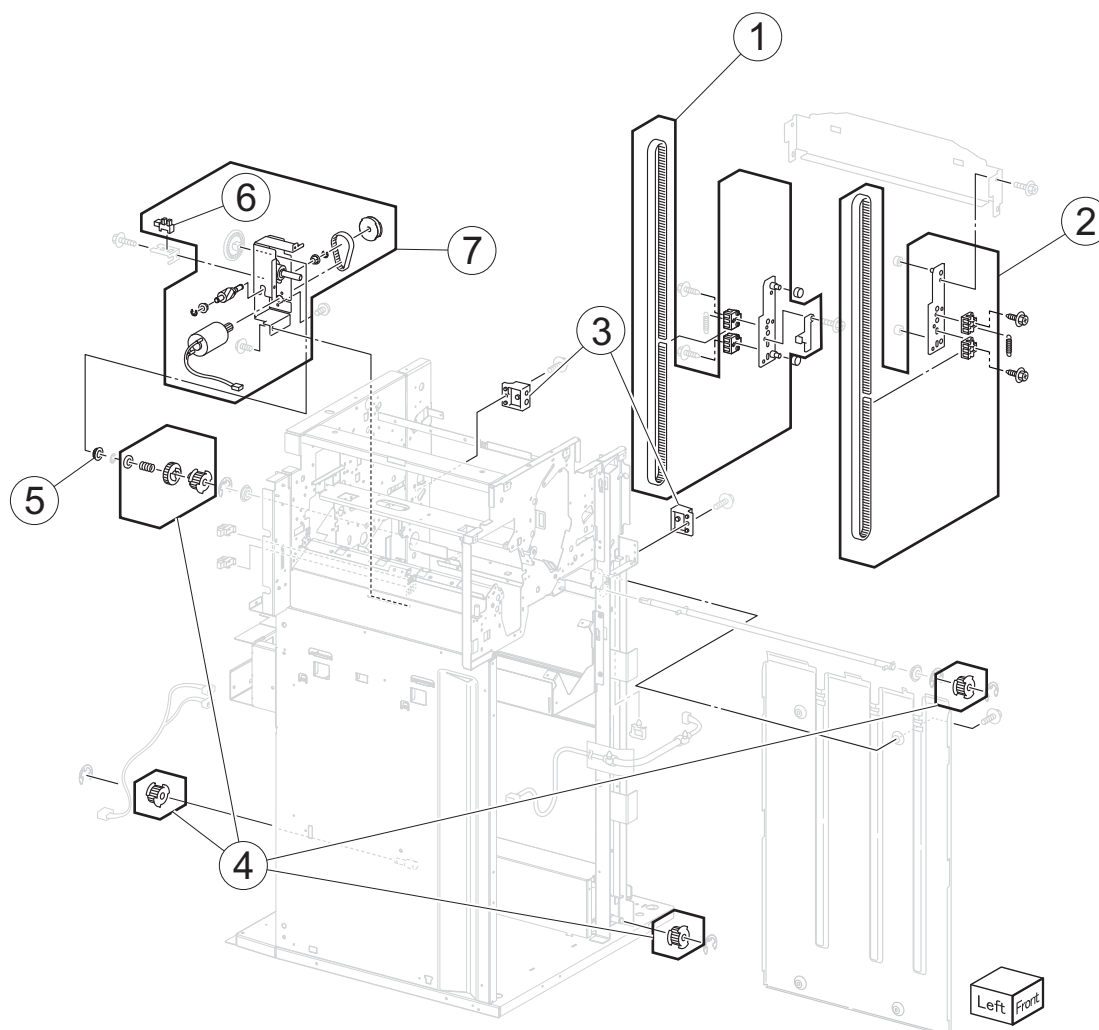


Go Back



Asm-index	Part number	Units/mach	Units/FRU	Description
61-1	40X6862	1	1	Finisher top cover
2	40X7476	1	1	Upper media bin
3	40X7416	1	1	Right eject cover
4	40X7465	1	1	Stacker media bin
5	40X7417	1	1	Finisher bottom cover
6	40X4405	1	1	Adjustable caster
7	40X6664	1	1	Non-adjusting caster
8	40X7418	1	1	Finisher rear lower cover
9	40X7405	1	1	Connector cover
10	40X6864	1	1	Finisher rear upper cover
11	40X7420	1	1	Finisher left upper cover

## Assembly 62: Finisher—stacker bin lift



Previous



Next



Go Back

Asm-index	Part number	Units/mach	Units/FRU	Description
1	40X4043	1	1	Finisher right lift carriage assembly
2	40X4040	1	1	Finisher left lift carriage assembly
3	40X7421	2	1	Sensor (stacker bin level F)
3	40X7421	2	1	Sensor (stacker bin level R)
4	40X0849	5	1	Stacker slip clutch pulley kit includes: <ul style="list-style-type: none"> <li>• Pulley 18T (3)</li> <li>• Slip clutch pulley 18T</li> <li>• Slip clutch gear 24T</li> <li>• Spring</li> <li>• Washer</li> </ul>
5	40X0852	1	1	Bearing
6	40X0850	3	1	Sensor (stacker bin level encoder)
7	40X7477	1	1	Stacker bin lift motor

## Assembly 63: Finisher—punch

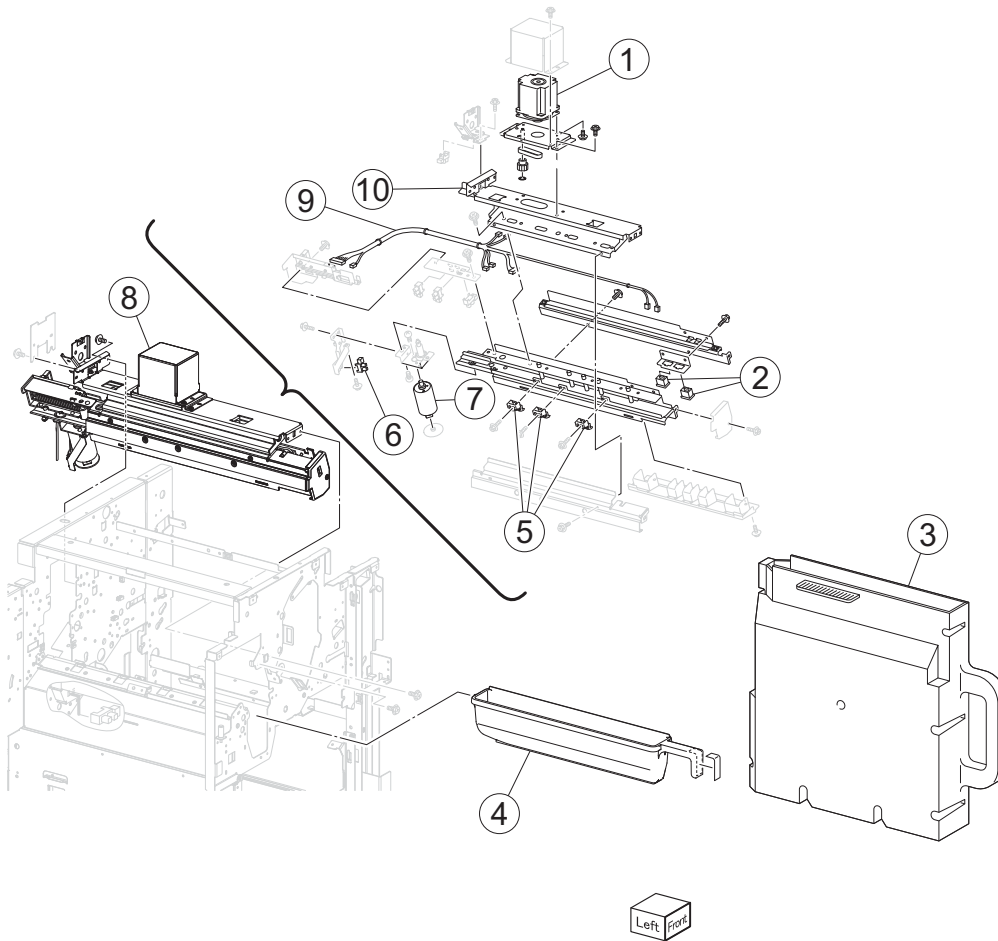
Previous



Next

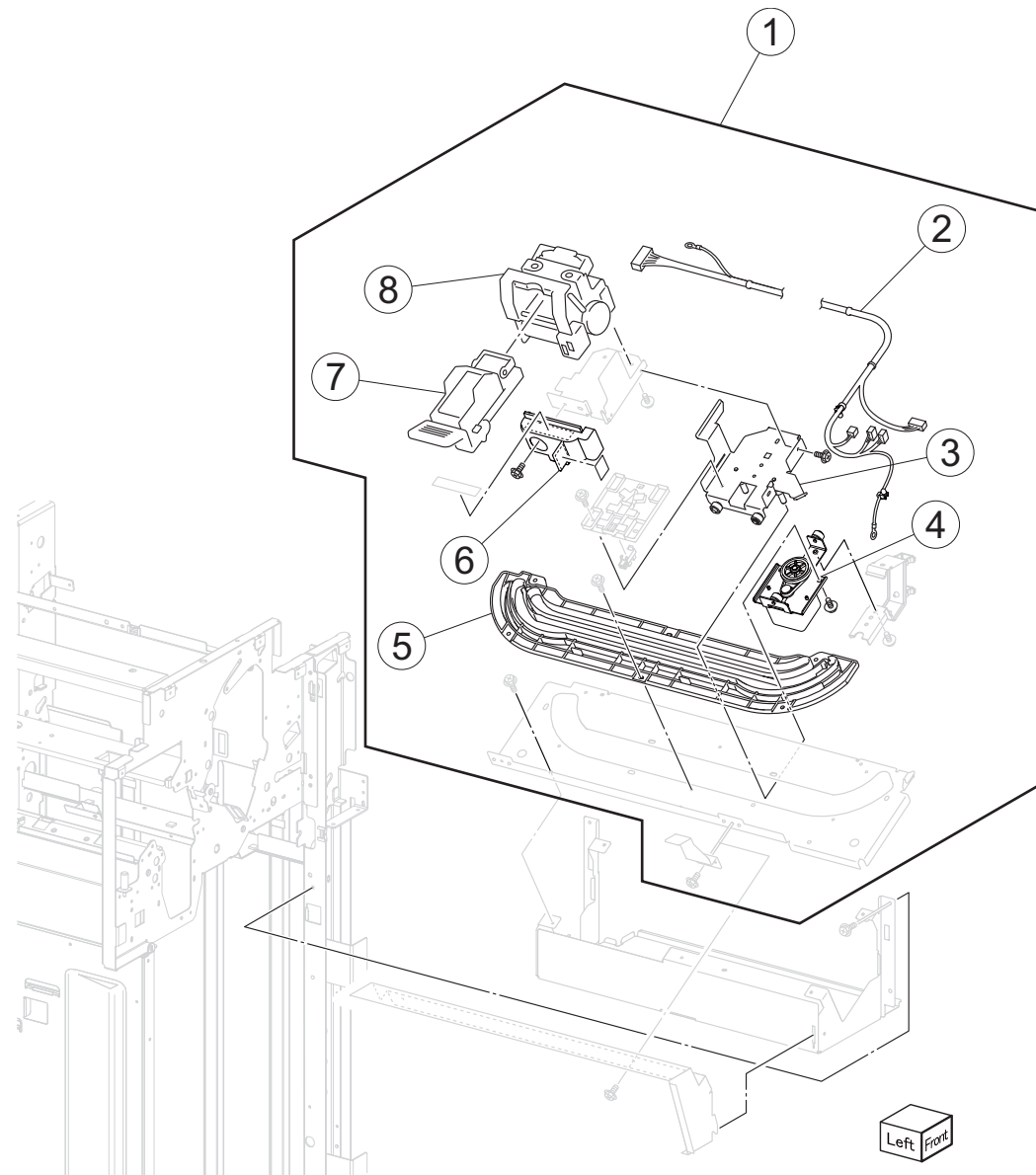


Go Back



Asm-index	Part number	Units/mach	Units/FRU	Description
63-1	40X0854	1	1	Punch carriage shift motor
2	40X3905	2	1	Sensor (punch unit side reg 1)
2	40X3905	2	1	Sensor (punch unit side reg 2)
3	40X0862	1	1	Punch waste box
4	40X7537	1	1	Punch waste box bottle
5	40X0859	1	1	Punch unit stopper
6	40X7438	1	1	Sensor (punch unit motor encoder)
7	40X3943	1	1	Punch unit motor
8	40X6865	1	1	3-hole punch unit frame
8	40X3937	1	1	2-hole punch unit frame
8	40X7536	1	1	4-hole punch unit frame
9	40X7422	1	1	Punch unit main cable
10	40X0855	1	1	Punch carriage

## Assembly 64: Finisher—stapler



Previous



Next



Go Back

Asm-index	Part number	Units/mach	Units/FRU	Description
64-1	40X7561	1	1	Complete stapler
2	40X6867	1	1	Stapler harness
3	40X4050	1	1	Stapler carriage
4	40X7339	1	1	Stapler transport motor
5	40X0872	1	1	Stapler carriage rack gear
6	40X7423	1	1	Stapler unit cover
7	40X0866	1	1	Staple cartridge
8	40X0867	1	1	Stapler unit assembly

### Assembly 65: Finisher—media eject

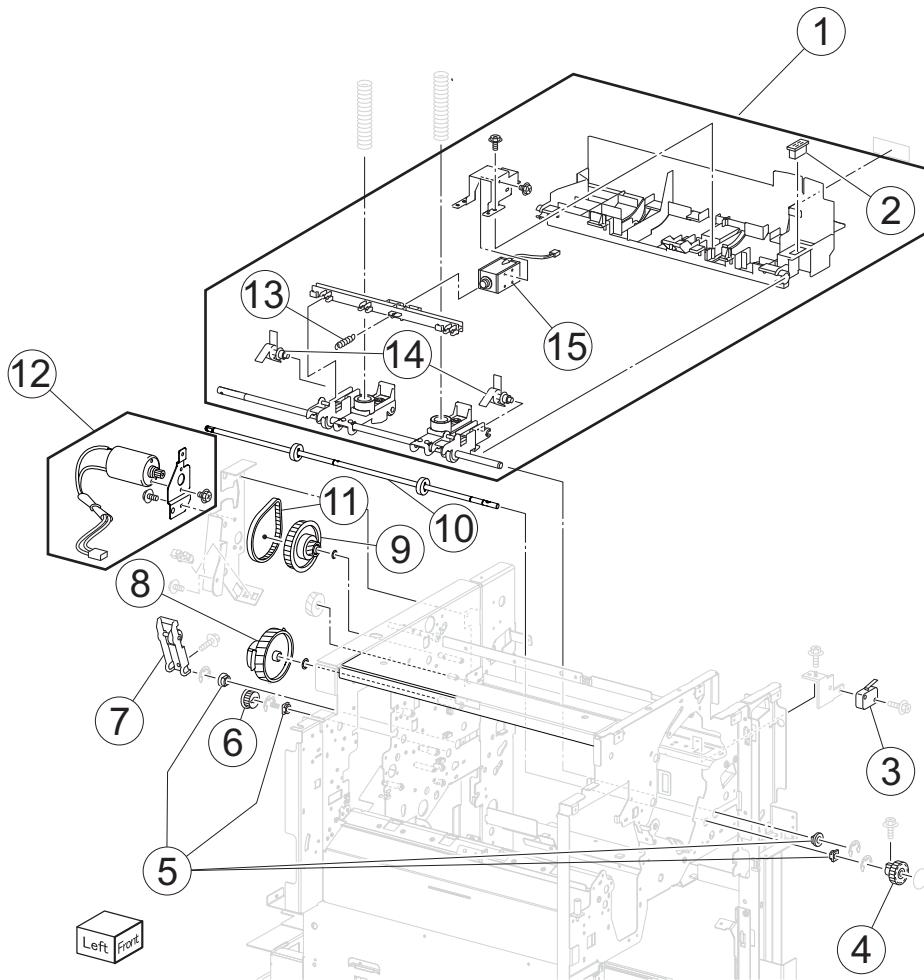
Previous



Next



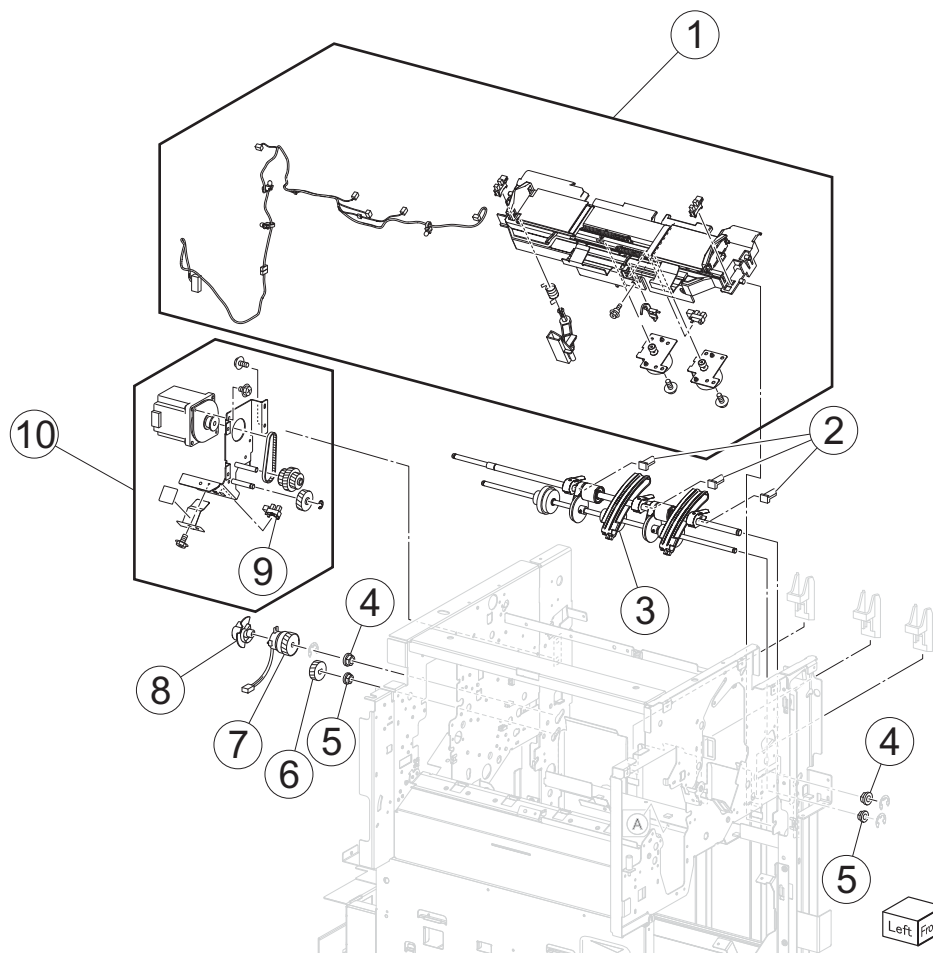
Go Back



Asm-index	Part number	Units/mach	Units/FRU	Description
65-1	40X7424	1	1	Media eject unit frame
2	40X0824	1	1	Magnetic catch
3	40X0882	1	1	Eject cover interlock switch
4	40X7746	1	1	Knob
5	40X0888	5	1	Bushing
6	40X6868	2	1	Gear 23T
7	40X0877	1	1	Eject clamp lever assembly
8	40X6869	1	1	Cam pulley
9	40X6870	1	1	Drive pulley
10	40X7362	1	1	Paddle shaft
11	40X7425	1	1	Clamp drive belt
12	40X7426	1	1	Clamp drive motor
13	40X4147	1	1	Spring
14	40X0874	1	1	Sub paddle
15	40X4120	1	1	Sub paddle solenoid



## Assembly 66: Finisher—eject and compiler unit



Previous



Next



Go Back

Asm-index	Part number	Units/mach	Units/FRU	Description
66-1	40X6886	1	1	Media compiler guide
2	40X6881	1	1	Eject shaft paddle
3	40X6880	1	1	Eject shaft roll
4	40X1388	1	1	Bearing
5	40X0888	5	1	Bushing
6	40X0889	1	1	Media eject gear
7	40X4062	2	1	Media eject clamp clutch
8	40X6884	1	1	Eject shaft actuator
9	40X0825	3	1	Sensor (media eject shaft HP)
9	40X0825	3	1	Sensor (media eject clamp HP)
10	40X6885	1	1	Eject shaft roll motor

### Assembly 67: Finisher—lower exit drive

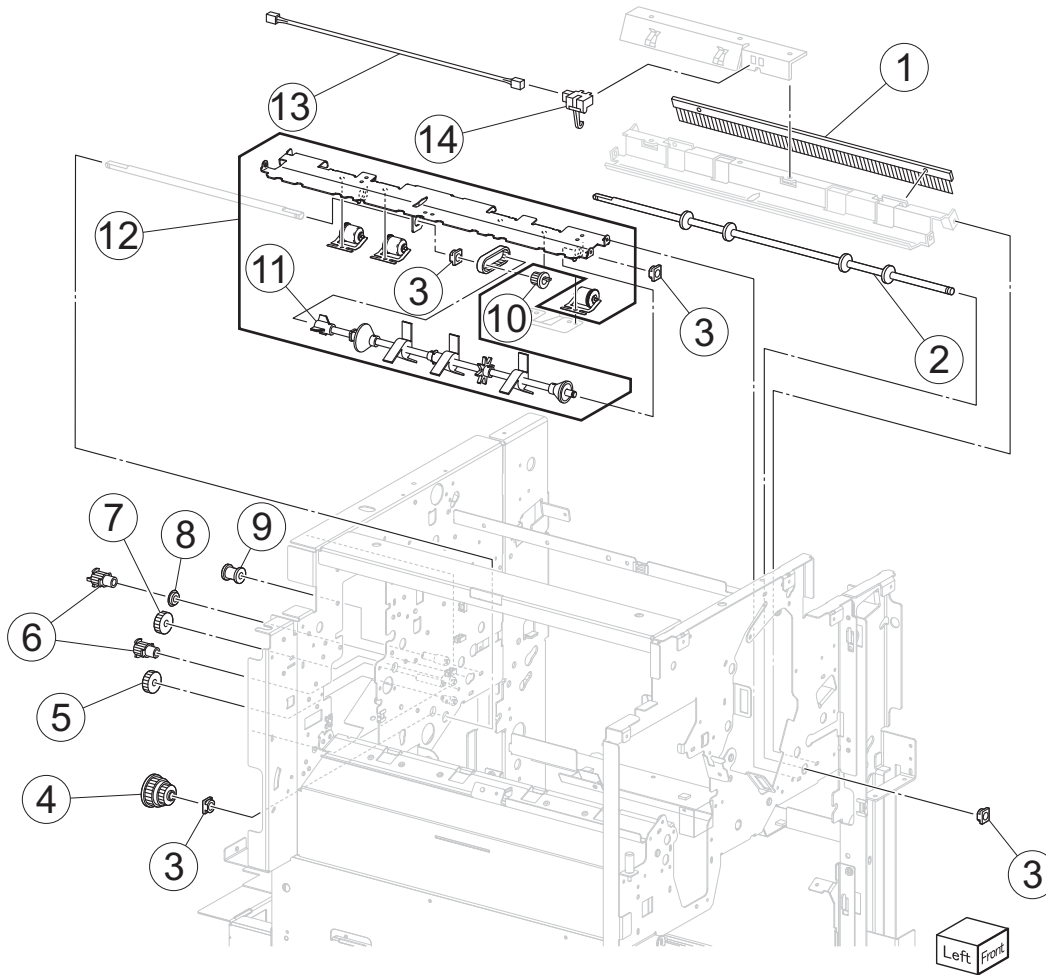
Previous



Next

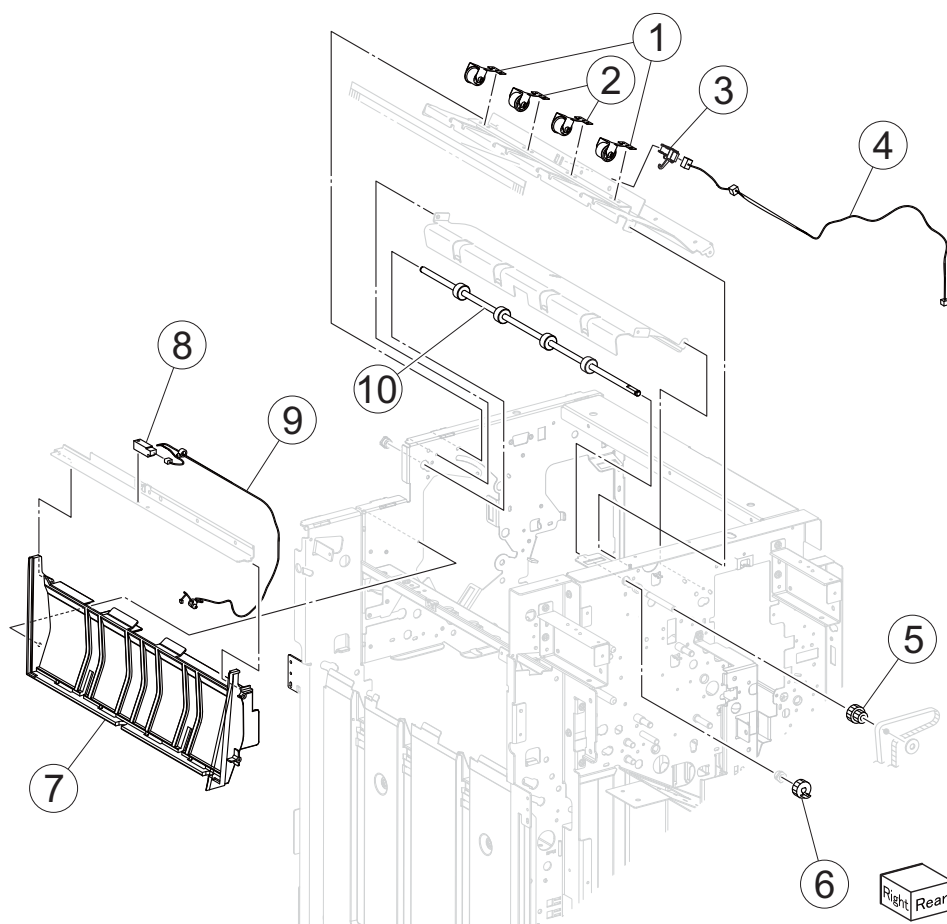


Go Back



Asm-index	Part number	Units/mach	Units/FRU	Description
67-1	40X0894	1	1	Static eliminator brush
2	40X0895	1	1	Lower media exit roll
3	40X0888	5	1	Bushing
4	40X0900	1	1	Main paddle drive pulley/gear 44/20T
5	40X3959	1	1	Gear (23T)
6	40X0898	2	1	Lower exit roll drive pulley kit includes: <ul style="list-style-type: none"> <li>• lower exit roll drive pulley 20T</li> <li>• idler pulley 20T</li> </ul>
7	40X4066	1	1	Gear (23T)
8	40X0913	2	1	Ball bearing 6mm
9	40X4128	1	1	Idler pulley
10	40X4106	1	1	Main paddle shaft drive pulley 17T
11	40X6887	1	1	Main paddle shaft
12	40X6890	1	1	Lower exit pinch roll
13	40X7427	1	1	Lower exit sensor cable
14	40X0893	2	1	Sensor (lower media exit)

## Assembly 68: Finisher—upper drive



Previous



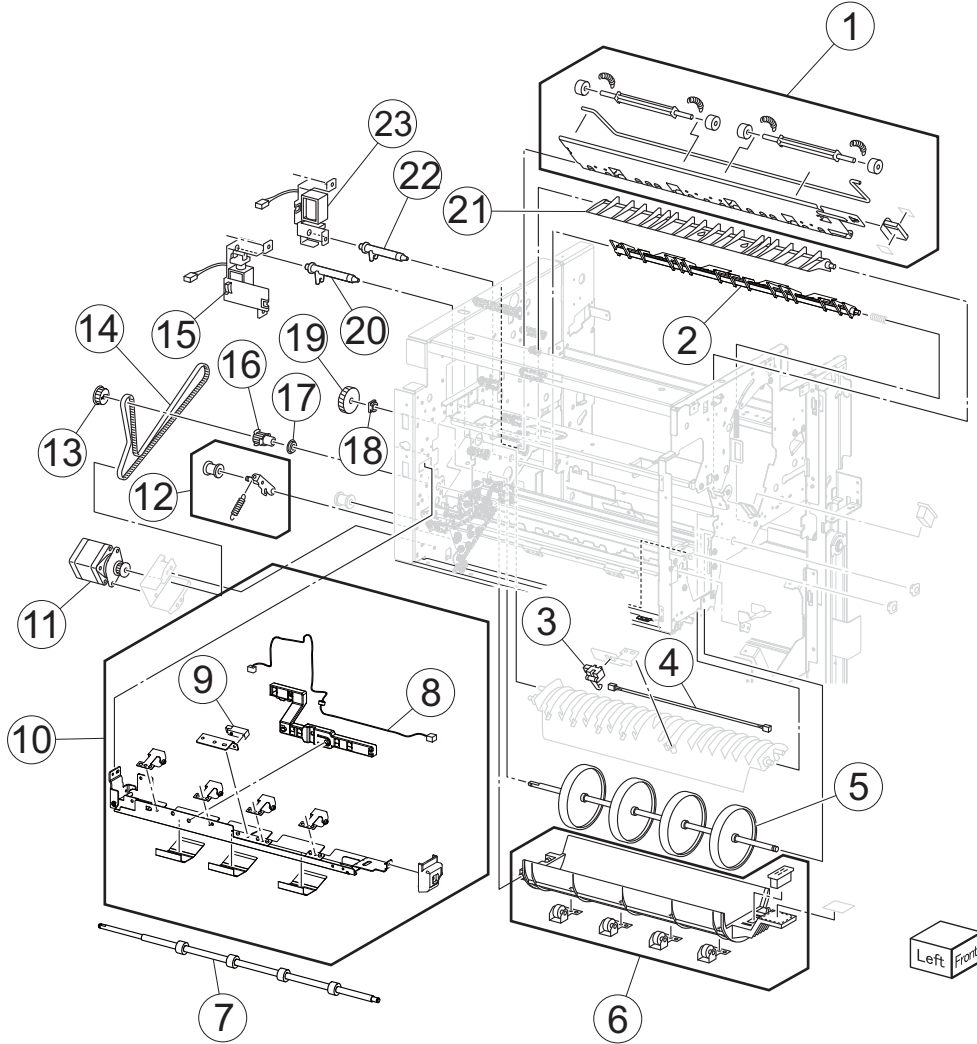
Next



Go Back

Asm-index	Part number	Units/mach	Units/FRU	Description
68-1	40X6893	1	1	Left upper exit nip roll
2	40X6894	1	1	Right upper exit nip roll
3	40X0893	2	1	Sensor (upper media exit)
4	40X6892	1	1	Upper exit sensor cable
5	40X0926	1	1	Upper media transport roll drive pulley/gear 20/20T
6	40X0927	1	1	Upper media exit roll drive gear 20T
7	40X7429	1	1	Finisher upper bin vertical cover
8	40X0908	1	1	Sensor (upper media bin full)
9	40X7428	1	1	Upper bin full sensor cable
10	40X6891	1	1	Upper media exit roll

# Assembly 69: Finisher—buffer and entrance drive



Previous



Next



Go Back

## Assembly 69: Finisher—buffer and entrance drive

Asm-index	Part number	Units/mach	Units/FRU	Description
69-1	40X7538	1	1	Lower pinch guide roller
2	40X4149	1	1	Buffer diverter gate
3	40X0893	2	1	Sensor (buffer path)
4	40X7430	1	1	Buffer path sensor cable
5	40X0905	1	1	Buffer roll
6	40X6875	1	1	Buffer pinch guide assembly
7	40X0909	1	1	Finisher media entrance roll
8	40X7478	1	1	Finisher entrance sensor cable
9	40X0908	1	1	Sensor (finisher media entrance)
10	40X6895	1	1	Media entrance pinch guide
11	40X0910	1	1	Stepper motor
12	40X0912	3	1	Belt idler pulley <ul style="list-style-type: none"> <li>• Spring</li> <li>• Belt tensioner bracket</li> </ul>
13	40X0888	5	1	Bushing
14	40X0911	1	1	Belt entrance/paddle 31.6 cm
15	40X6897	1	1	Diverter solenoid
16	40X0914	1	1	Media entrance roll drive pulley 20T
17	40X0913	2	1	Ball bearing 6 mm
18	40X0888	5	1	Bushing
19	40X0915	1	1	Buffer roll drive gear 46T
20	40X4083	1	1	Diverter solenoid link
21	40X7522	1	1	Finisher diverter gate
22	40X4070	1	1	Buffer solenoid link
23	40X6898	1	1	Buffer solenoid

Previous



Next



Go Back

### Assembly 70: Finisher—buffer, transport, and upper drive

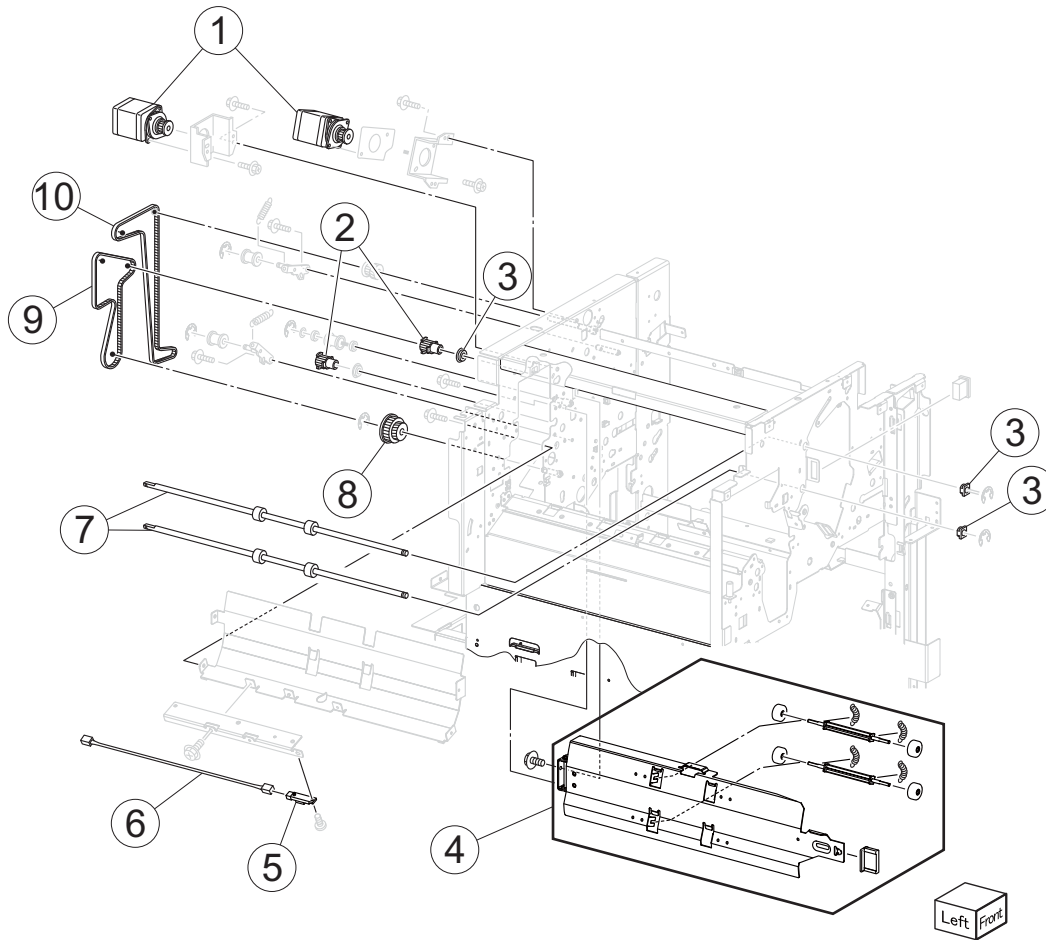
Previous



Next



Go Back



Asm-index	Part number	Units/mach	Units/FRU	Description
70-1	40X0910	1	1	Stepper motor
2	40X0925	1	1	Upper media transport roll drive pulley 20T
3	40X0888	5	1	Bushing
4	40X6900	1	1	Upper pinch guide
5	40X0921	1	1	Sensor (diverter gate)
6	40X7480	1	1	Diverter gate sensor cable
7	40X6901	1	1	Upper transport roll
8	40X0924	1	1	Buffer roll drive pulley/gear 53/23T
9	40X0928	1	1	Belt (buffer/transport) 19.8 cm
10	40X0929	1	1	Belt (exit) 27.7 cm

## Assembly 71: Finisher—electronics

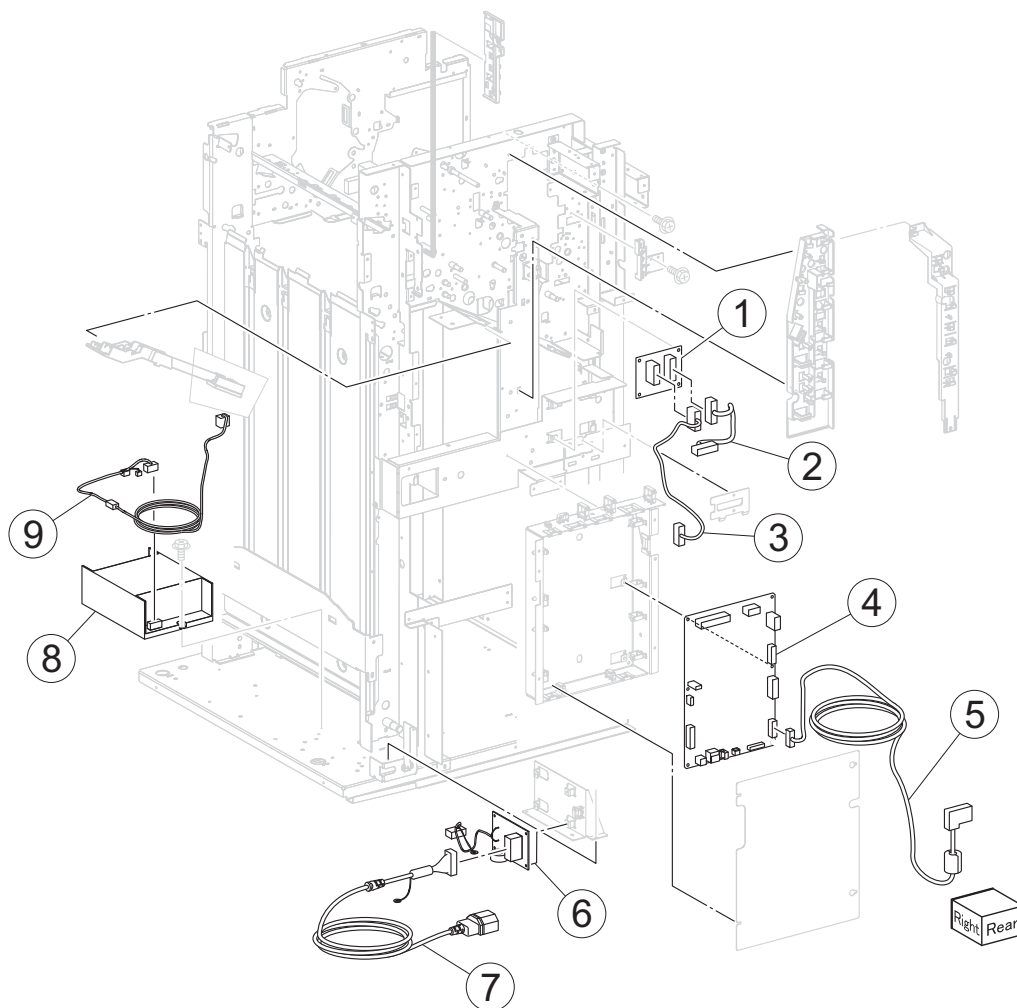
Previous



Next

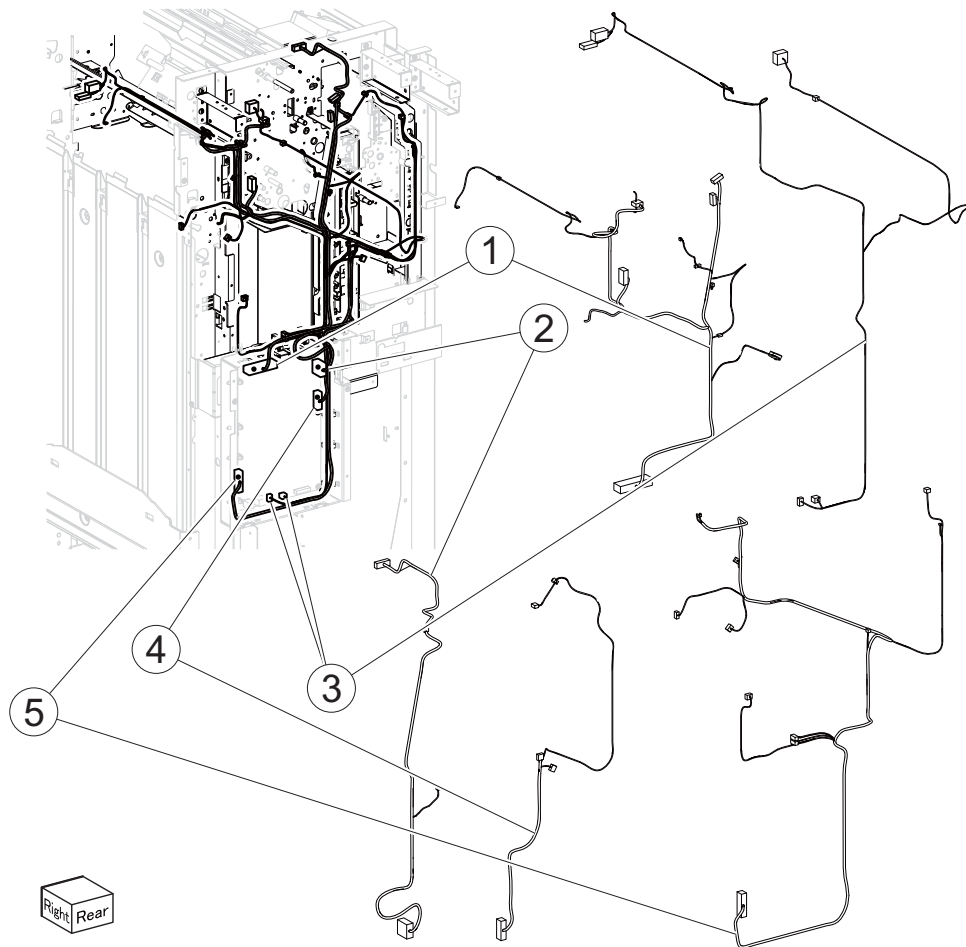


Go Back



Asm-index	Part number	Units/mach	Units/FRU	Description
71-1	40X3969	1	1	Bridge PCBA
2	40X3970	1	1	Bridge unit connect cable assembly
3	40X0933	1	1	Bridge interface card cable
4	40X6902	1	1	Finisher controller PCBA
5	40X4412	1	1	Finisher interface cable
6	40X6904	1	1	Finisher AC filter PCBA
7	40X6903	1	1	Finisher power cable
8	40X7521	1	1	Finisher LVPS PCBA
9	40X7431	1	1	Finisher LVPS cable

## Assembly 72: Finisher—cables



Asm-index	Part number	Units/mach	Units/FRU	Description
72-1	40X6906	1	1	Finisher motor cable
2	40X6907	1	1	Punch drive motor
3	40X6909	1	1	Interlock cable
4	40X6908	1	1	Punch sensor cable
5	40X6905	1	1	Finisher sensor cable

Previous



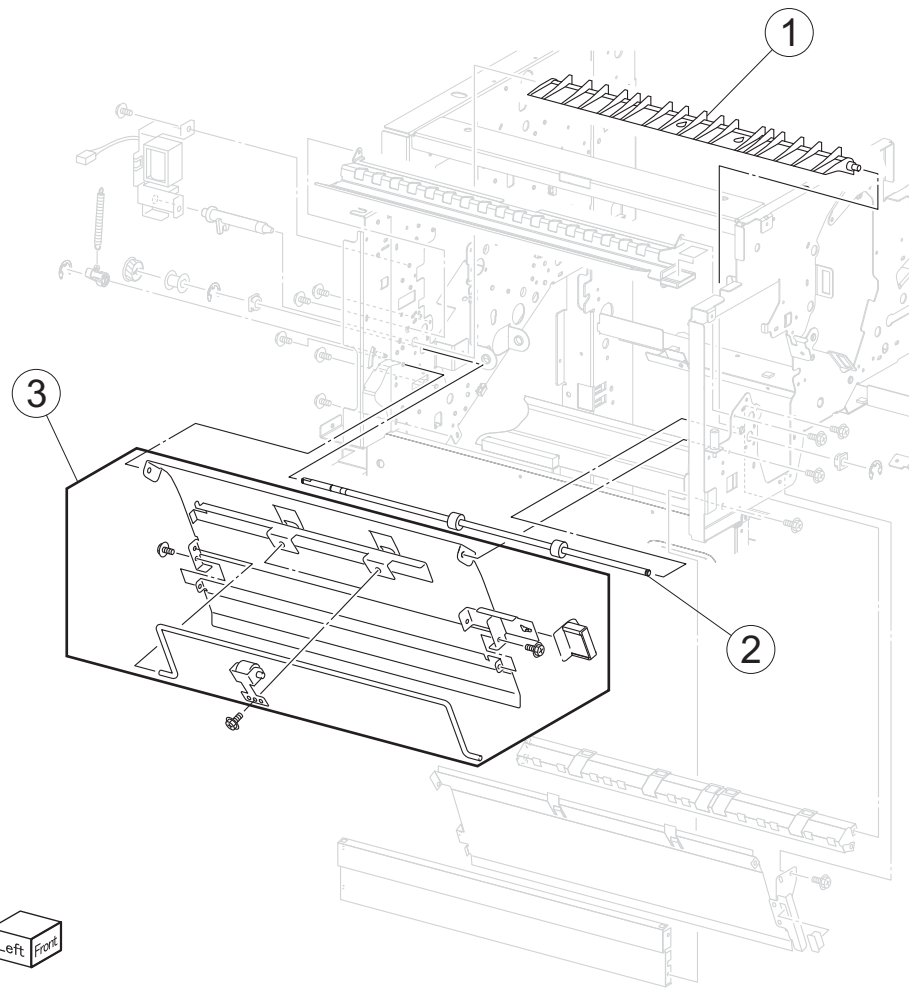
Next



Go Back



## Assembly 73: Booklet maker 1



Previous



Next



Go Back

Asm-index	Part number	Units/mach	Units/FRU	Description
73-1	40X7479	1	1	Booklet diverter gate
2	40X6899	1	1	Booklet path roll
3	40X7519	1	1	Booklet pinch guide

## Assembly 74: Booklet maker 2

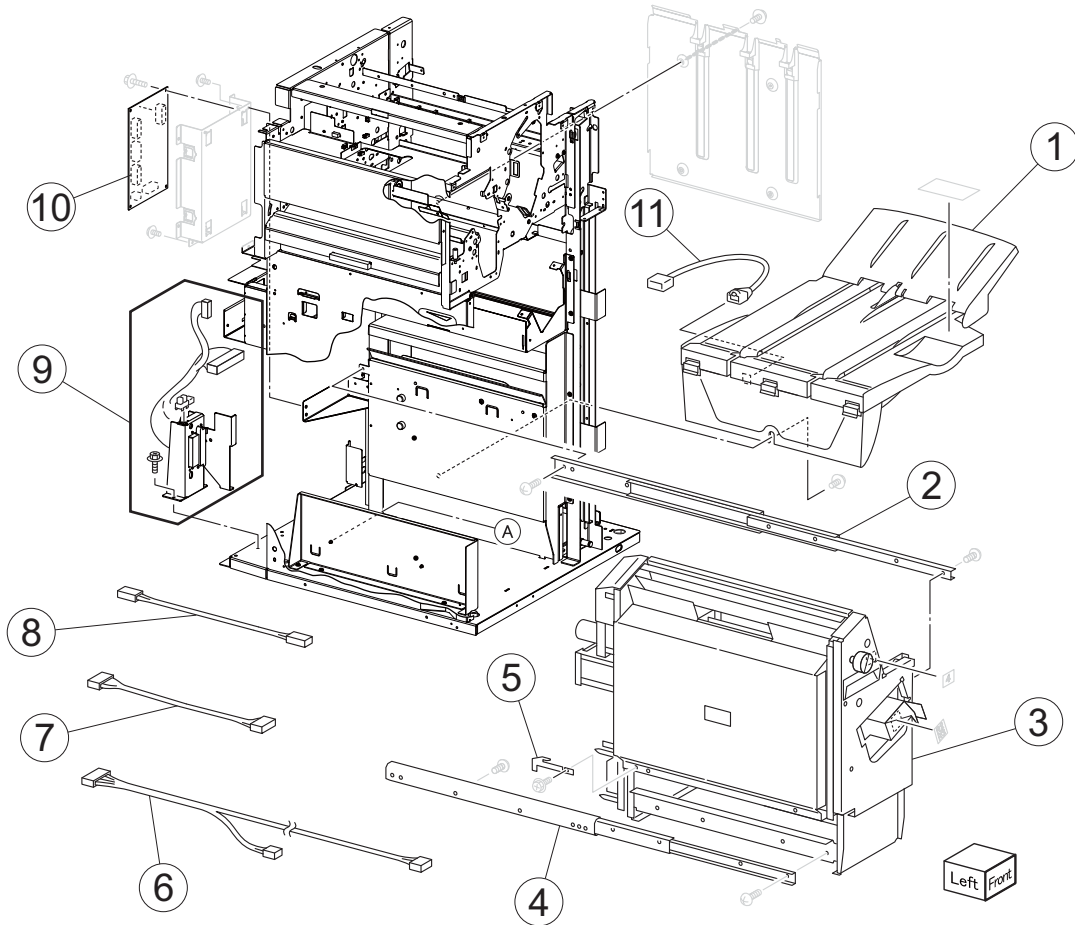
Previous



Next



Go Back



Asm-index	Part number	Units/mach	Units/FRU	Description
74-1	40X6910	1	1	Booklet output tray
2	40X7482	1	1	Booklet right glide
3	40X6915	1	1	Booklet unit chassis
4	40X7483	1	1	Booklet left glide
5	40X3988	1	1	Booklet unit catch
6	40X6913	1	1	Booklet unit cable
7	40X6912	1	1	Booklet diverter cable
8	40X6911	1	1	Booklet controller power cable
9	40X6914	1	1	Booklet unit interface contact
10	40X7481	1	1	Booklet controller card assembly
11	40X3987	1	1	Booklet bin hookup cable assembly

## Assembly 75: Booklet maker 3

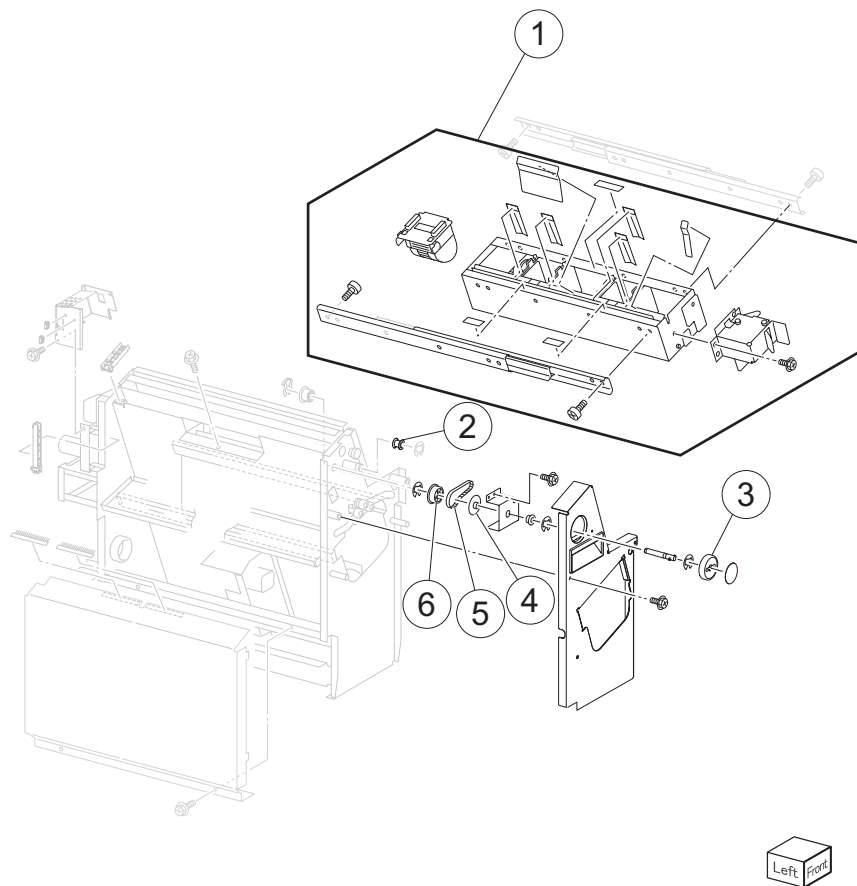
Previous



Next



Go Back



Asm-index	Part number	Units/mach	Units/FRU	Description
75-1	40X7486	1	1	Booklet stapler unit assembly
2	40X7488	1	1	Pulley
3	40X7485	1	1	Booklet knob
4	40X7484	1	1	Belt flange
5	40X7432	1	1	Booklet front drive belt
6	40X6916	1	1	Booklet gear 31T

## Assembly 76: Booklet maker 4

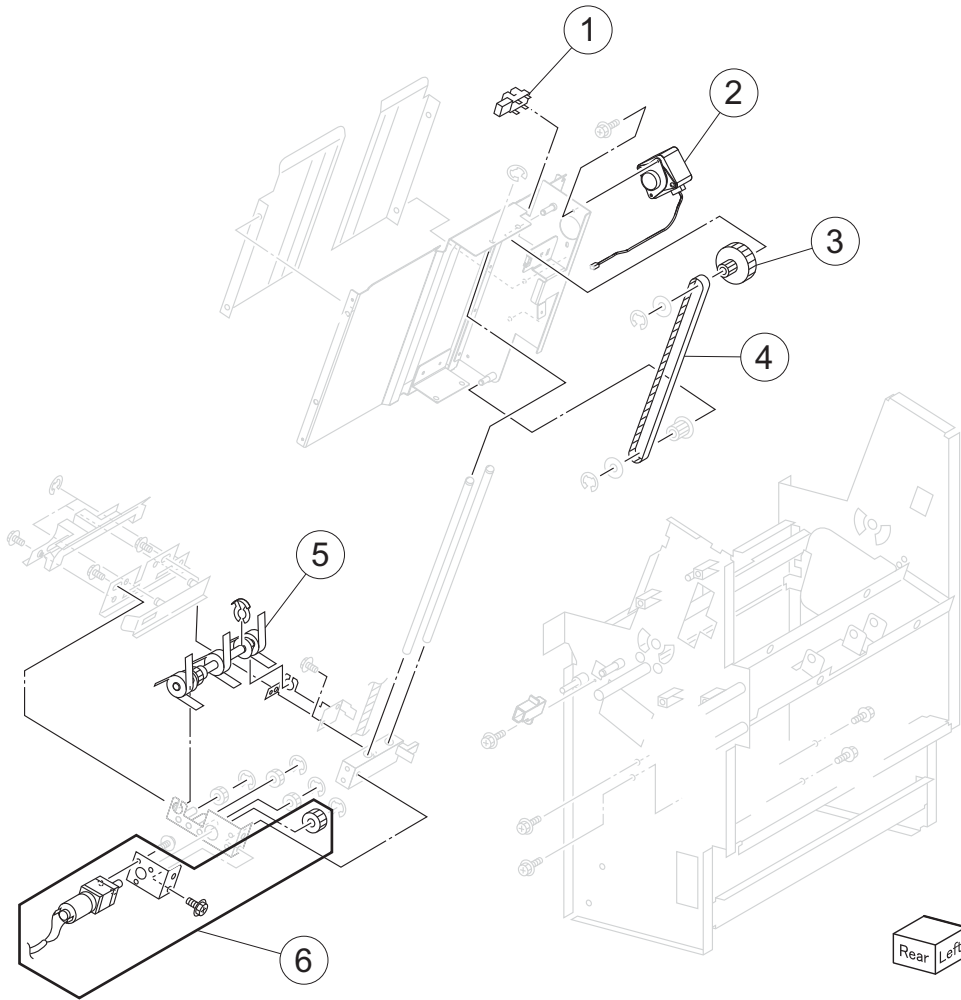
Previous



Next

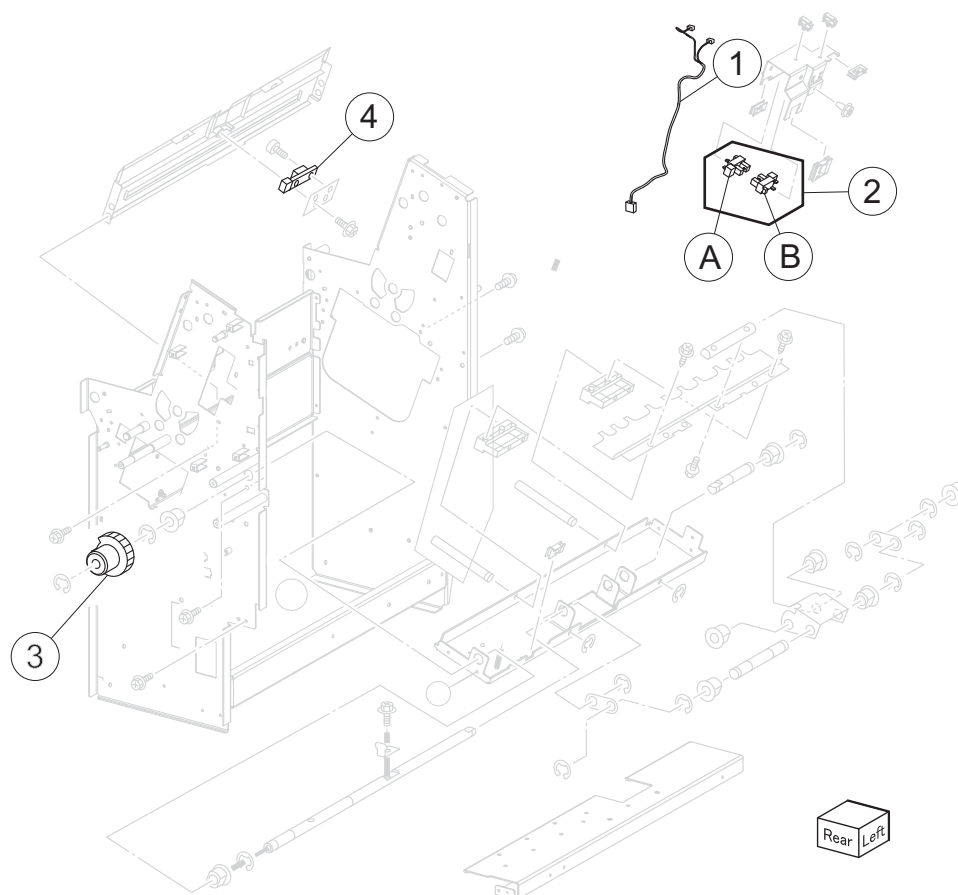


Go Back



Asm-index	Part number	Units/mach	Units/FRU	Description
76-1	40X0825	3	1	Sensor (booklet end guide HP)
2	40X7489	1	1	Booklet end guide drive motor
3	40X3993	1	1	Gear pulley 40/20T
4	40X3994	1	1	Booklet end guide drive belt
5	40X6917	1	1	Booklet paddle roll
6	40X7490	1	1	Booklet paddle drive motor assembly

## Assembly 77: Booklet maker 5



Previous



Next



Go Back

Asm-index	Part number	Units/mach	Units/FRU	Description
77-1	40X7491	1	1	Booklet knife HP sensor cable assembly
2	40X0825	3	1	A) Sensor (booklet knife folding) B) Sensor (booklet knife HP)
3	40X3999	1	1	Booklet knife sector drive gear 42T
4	40X0921	1	1	Sensor (booklet media entrance)

## Assembly 78: Booklet maker 6

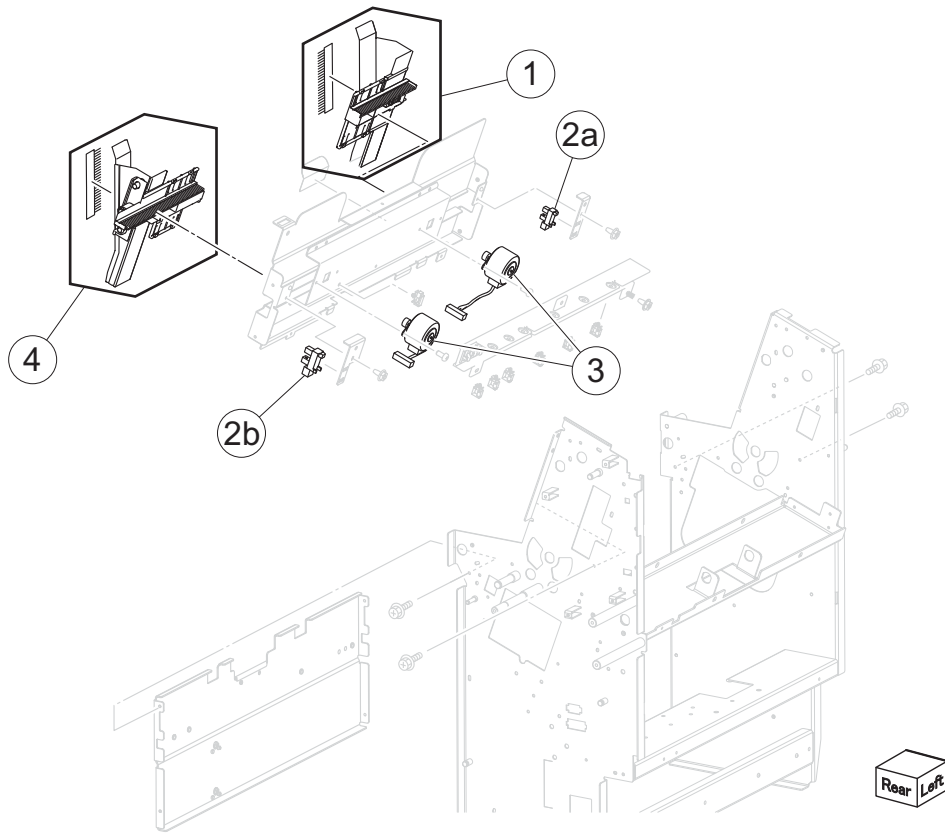
Previous



Next

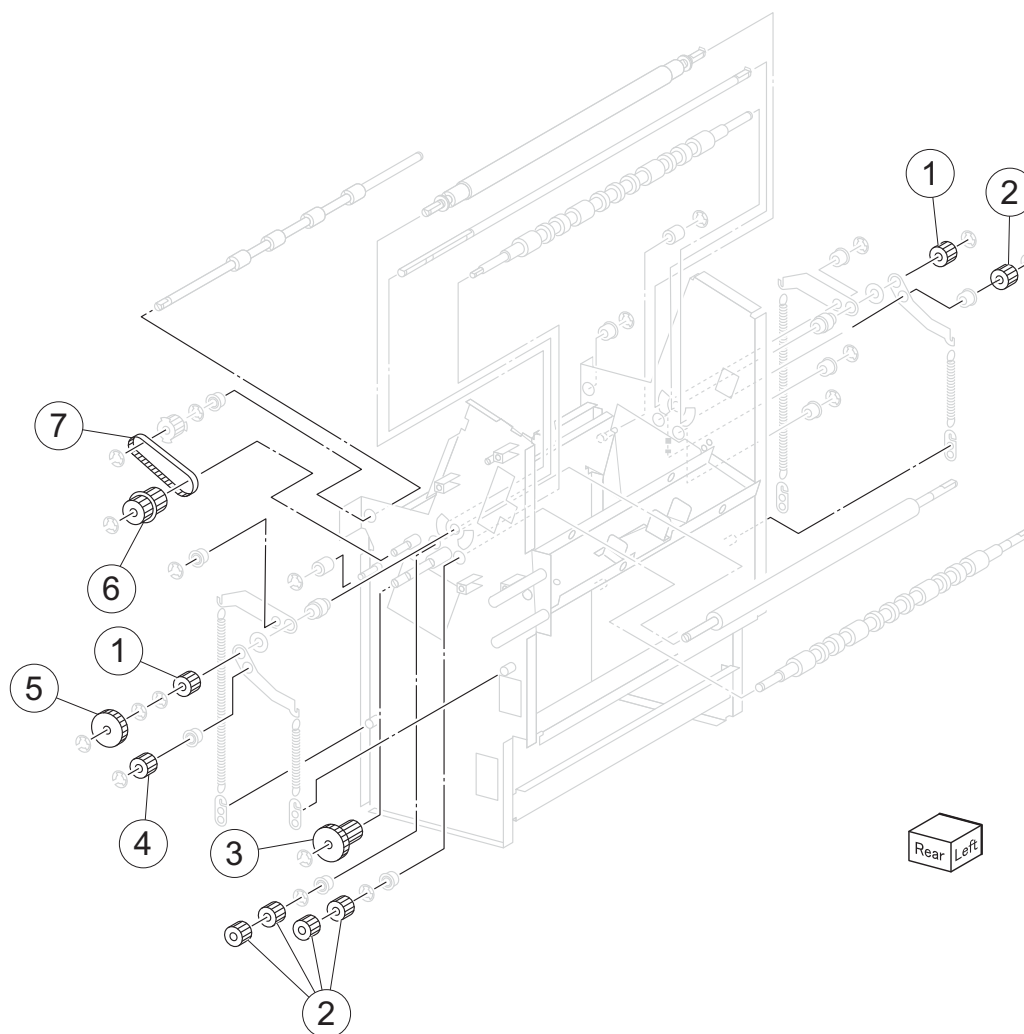


Go Back



Asm-index	Part number	Units/mach	Units/FRU	Description
1	40X7433	1	1	Booklet front tamper guide
2	40X0825	3	1	a) Sensor (booklet front tamper HP) b) Sensor (booklet rear tamper HP)
3	40X7492	1	1	Booklet rear tamper motor
3	40X7492	1	1	Booklet front tamper motor
4	40X7434	1	1	Booklet rear tamper guide

## Assembly 79: Booklet maker 7



Previous



Next



Go Back

Asm-index	Part number	Units/mach	Units/FRU	Description
79-1	40X4008	1	1	Gear 18T
2	40X4006	1	1	Gear 16T
3	40X4007	1	1	Booklet folding roll drive gear 38/18T
4	40X7523	1	1	Gear 16T
5	40X4010	1	1	Gear 37T
6	40X4004	1	1	Gear pulley 20/25T
7	40X4005	1	1	Booklet exit roll drive belt

# Assembly 80: Booklet maker 8

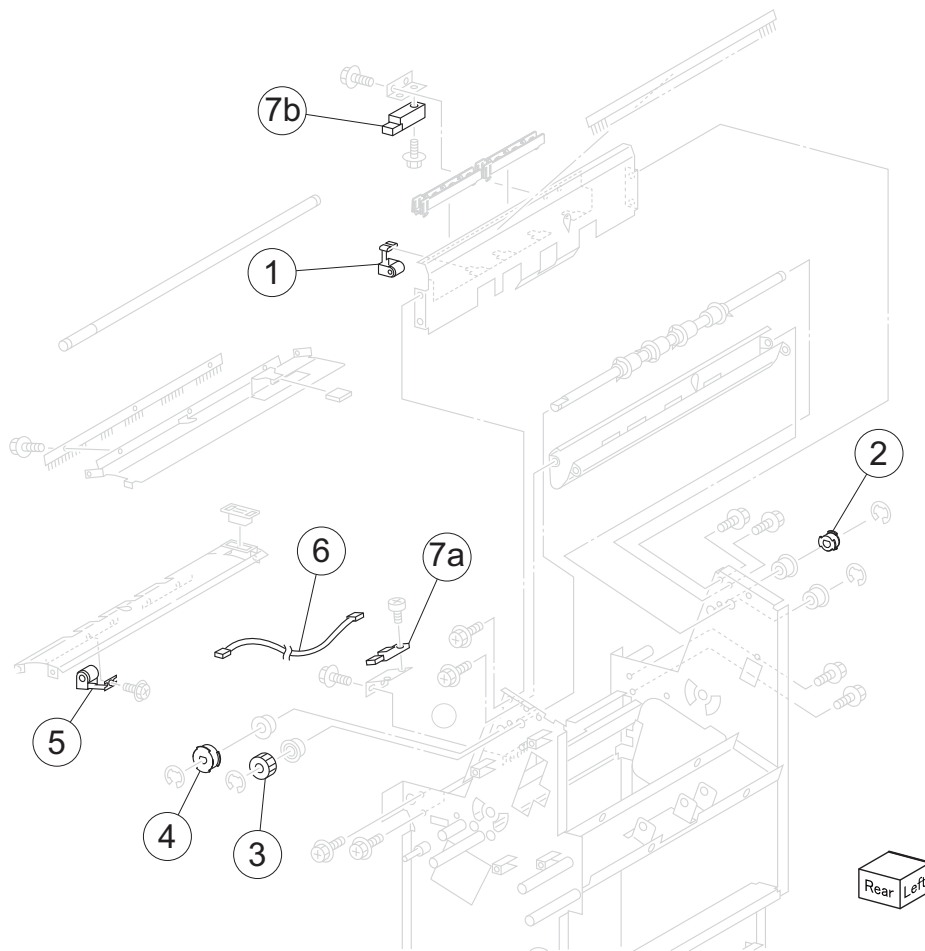
Previous



Next



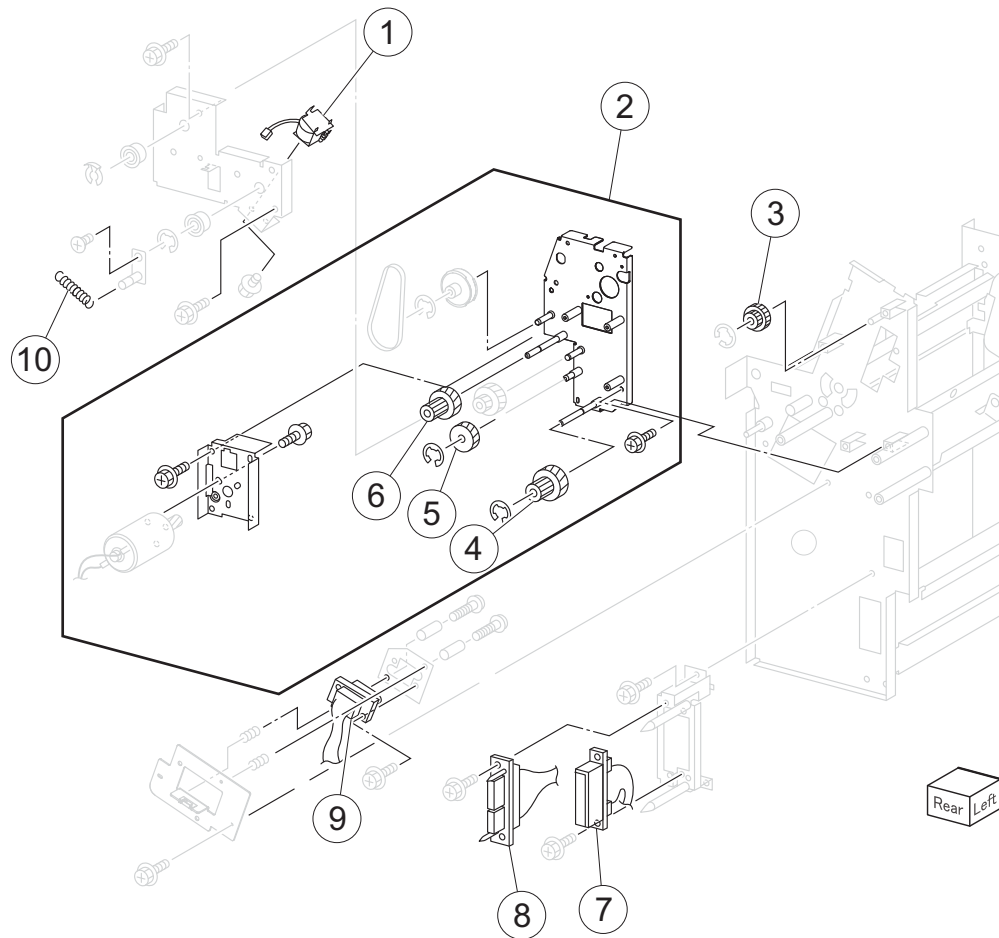
Go Back



Asm-index	Part number	Units/mach	Units/FRU	Description
80-1	40X7565	1	1	Booklet media pinch roll assembly
2	40X7436	1	1	Booklet front pulley
3	40X7523	1	1	Gear (16T)
4	40X7435	1	1	Booklet entrance drive pulley
5	40X4011			Booklet media exit pinch roller
6	40X7494	1	1	Media exit sensor cable assembly
7	40X0921	1	1	a) Sensor (booklet media entrance) b) Sensor (booklet media exit)



## Assembly 81: Booklet maker 9



Previous



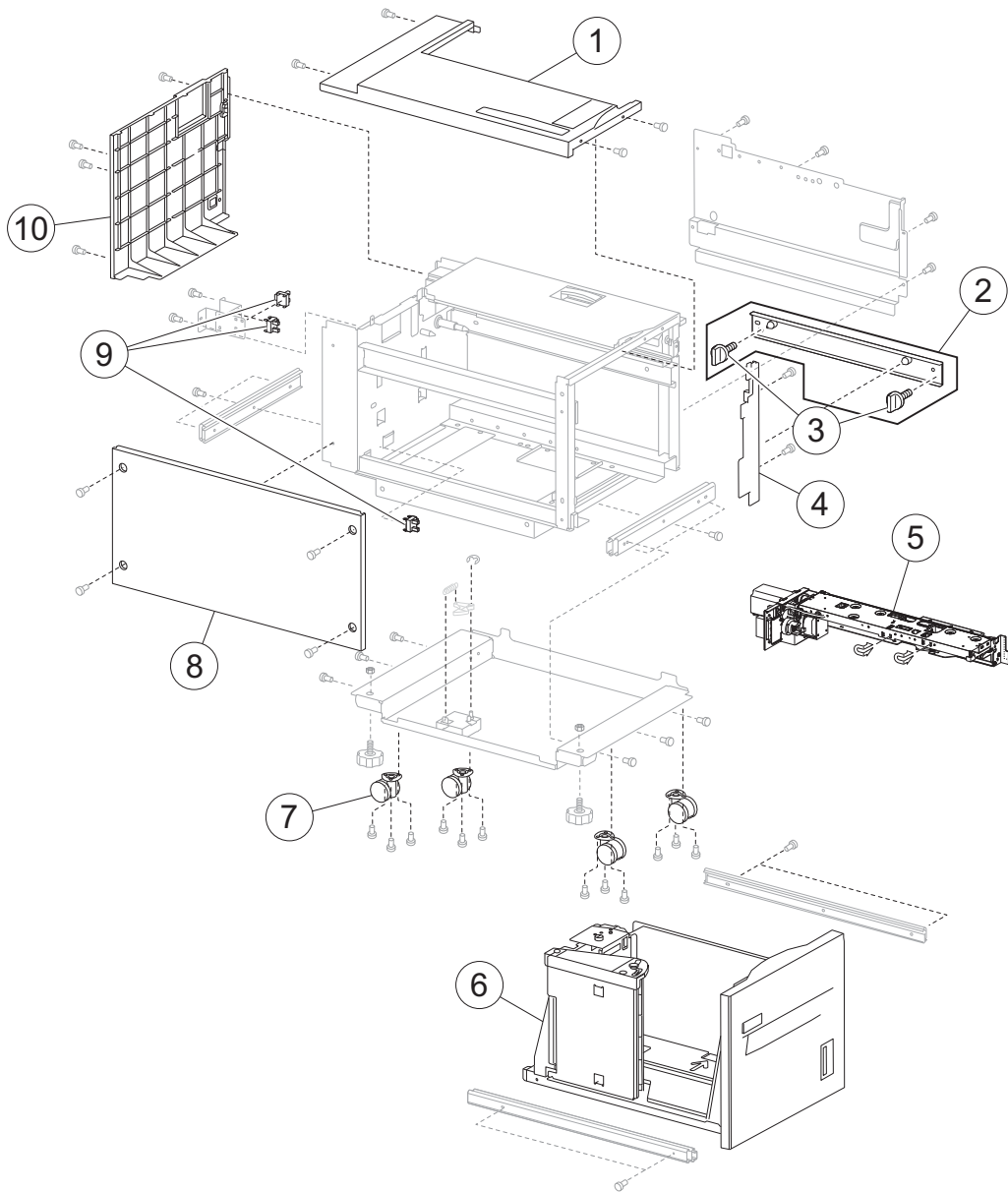
Next



Go Back

Asm-index	Part number	Units/mach	Units/FRU	Description
81-1	40X7497	1	1	Booklet fold solenoid
2	40X7524	1	1	Booklet rear gear bracket
3	40X4019	1	1	Booklet gear 27/34T
4	40X4024	1	1	Gear 18/39T
5	40X4015	1	1	Booklet gear 45T
6	40X4017	1	1	Booklet gear 16/44T
7	40X7501	1	1	Booklet sensor interface cable assembly
8	40X7499	1	1	Booklet motor interface cable assembly
9	40X7498	1	1	Booklet stapler interface cable assembly
10	40X4020	1	1	Spring

# Assembly 82: High capacity feed (HCF)—covers and media tray



Previous



Next



Go Back

## Assembly 82: High capacity feed (HCF)—covers and media tray

Asm-index	Part number	Units/mach	Units/FRU	Description
82-1	40X7394	1	1	HCF top cover
2	40X0745	1	3	HCF docking bracket kit includes: <ul style="list-style-type: none"> <li>• HCF docking bracket</li> <li>• HCF docking bracket screw (2)</li> </ul>
3	40X2238	1	1	Mounting screw
4	40X7395	1	1	HCF inner front cover
5	40X7398	1	1	HCF tray 5 feeder assembly
6	40X6789	1	1	HCF media tray assembly
7	40X0741	4	1	Caster
8	40X7396	1	1	HCF left cover
9	40X0739	1	1	Senser (HCF media tray set) <ul style="list-style-type: none"> <li>• Sensor (HCF media size L)</li> <li>• Sensor (HCF media size R)</li> </ul>
10	40X7397	1	1	HCF rear cover

Previous



Next



Go Back

## Assembly 83: High capacity feed (HCF)—media tray

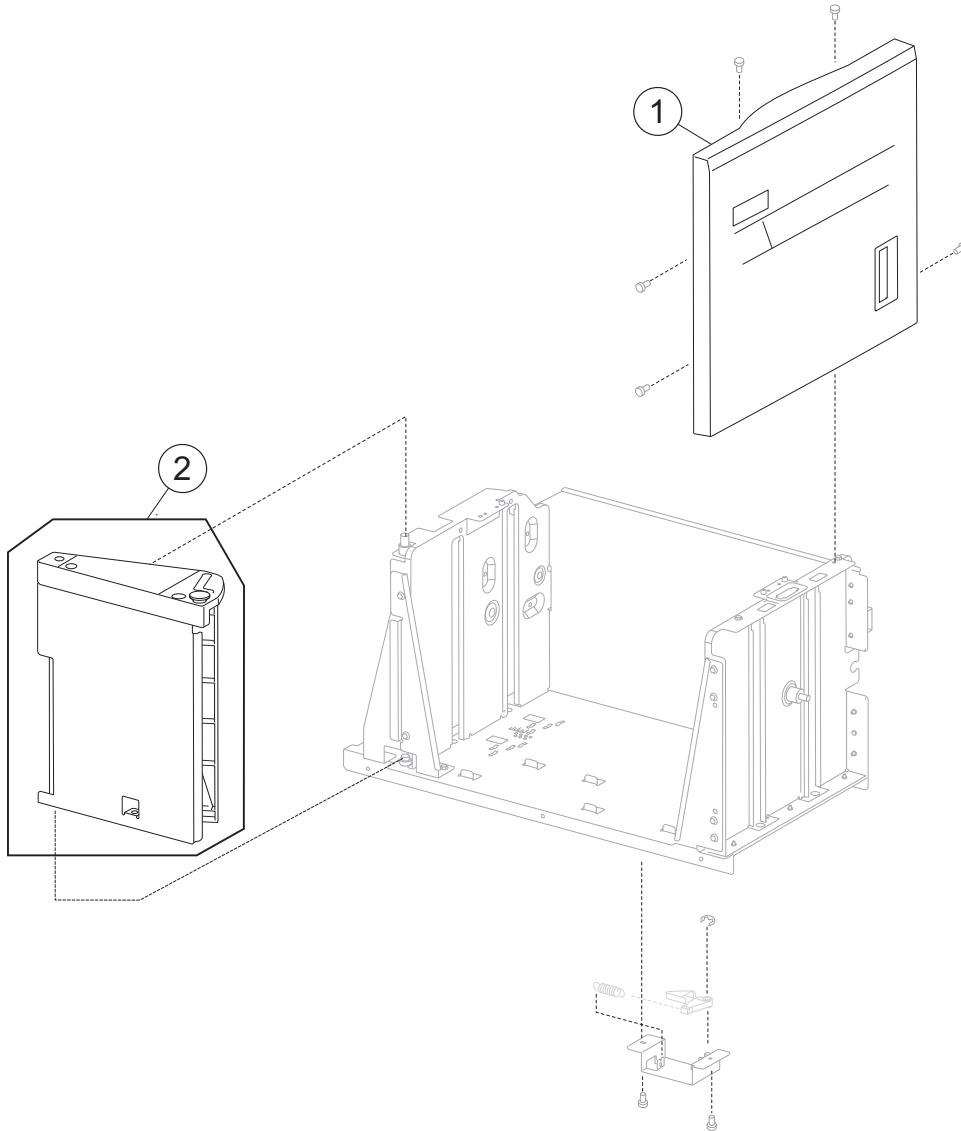
Previous



Next



Go Back



Asm-index	Part number	Units/mach	Units/FRU	Description
83-1	40X7399	1	1	HCF media tray front cover
2	40X0749	1	2	HCF media long-edge guide kit includes: <ul style="list-style-type: none"> <li>• Media long-edge guide</li> <li>• Wave washer</li> </ul>

## Assembly 84: High capacity feed (HCF)—media tray lift

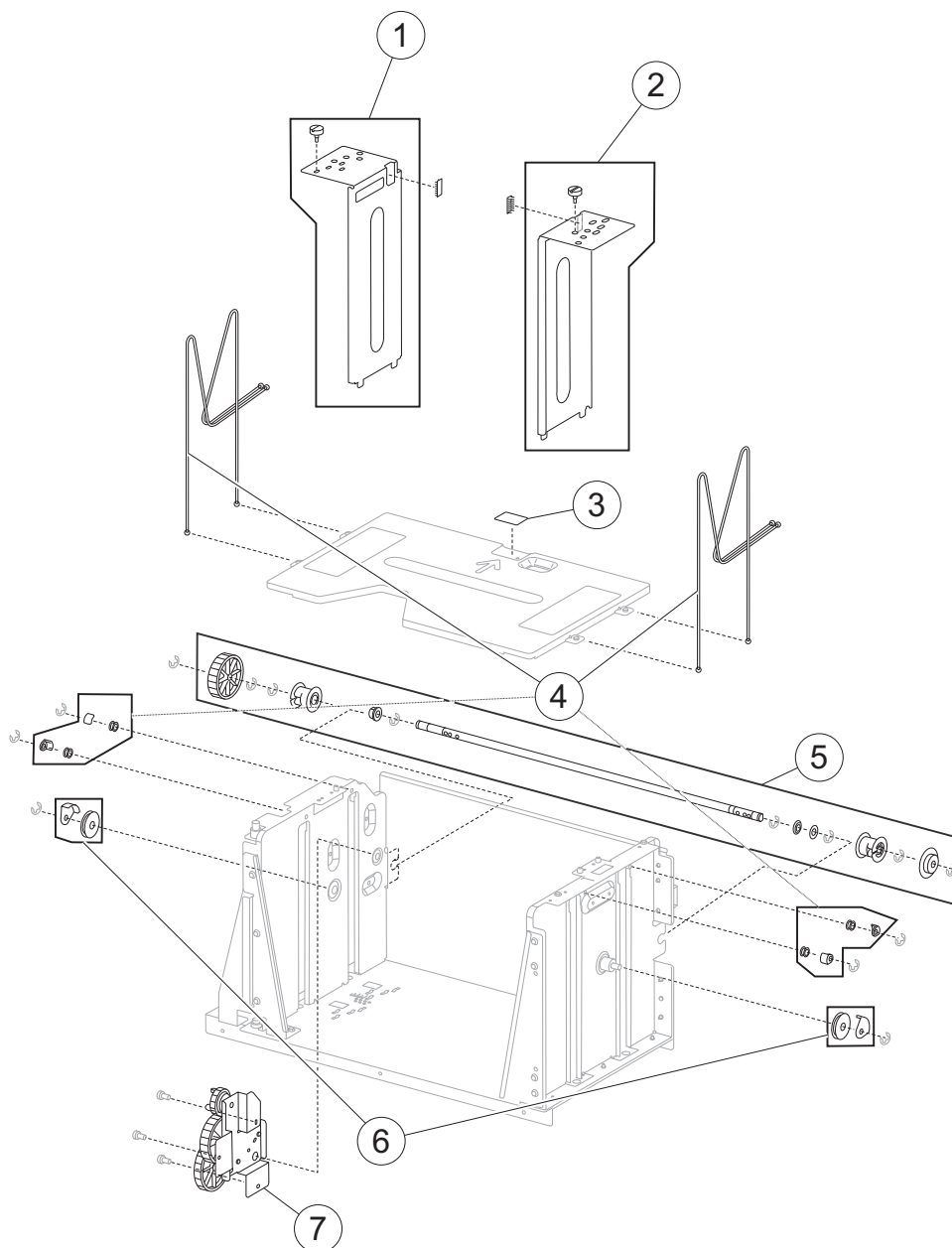
Previous



Next



Go Back



Asm-index	Part number	Units/mach	Units/FRU	Description
84-1	40X0750	1	2	HCF rear media guide kit includes: <ul style="list-style-type: none"> <li>• HCF rear media guide</li> <li>• Screw</li> </ul>
2	40X0751	1	2	HCF front media guide kit includes: <ul style="list-style-type: none"> <li>• HCF front media guide</li> <li>• Screw</li> </ul>
3	40X0752	1	1	HCF separation pad

# Assembly 84 (continued): High capacity feed (HCF)—media tray lift

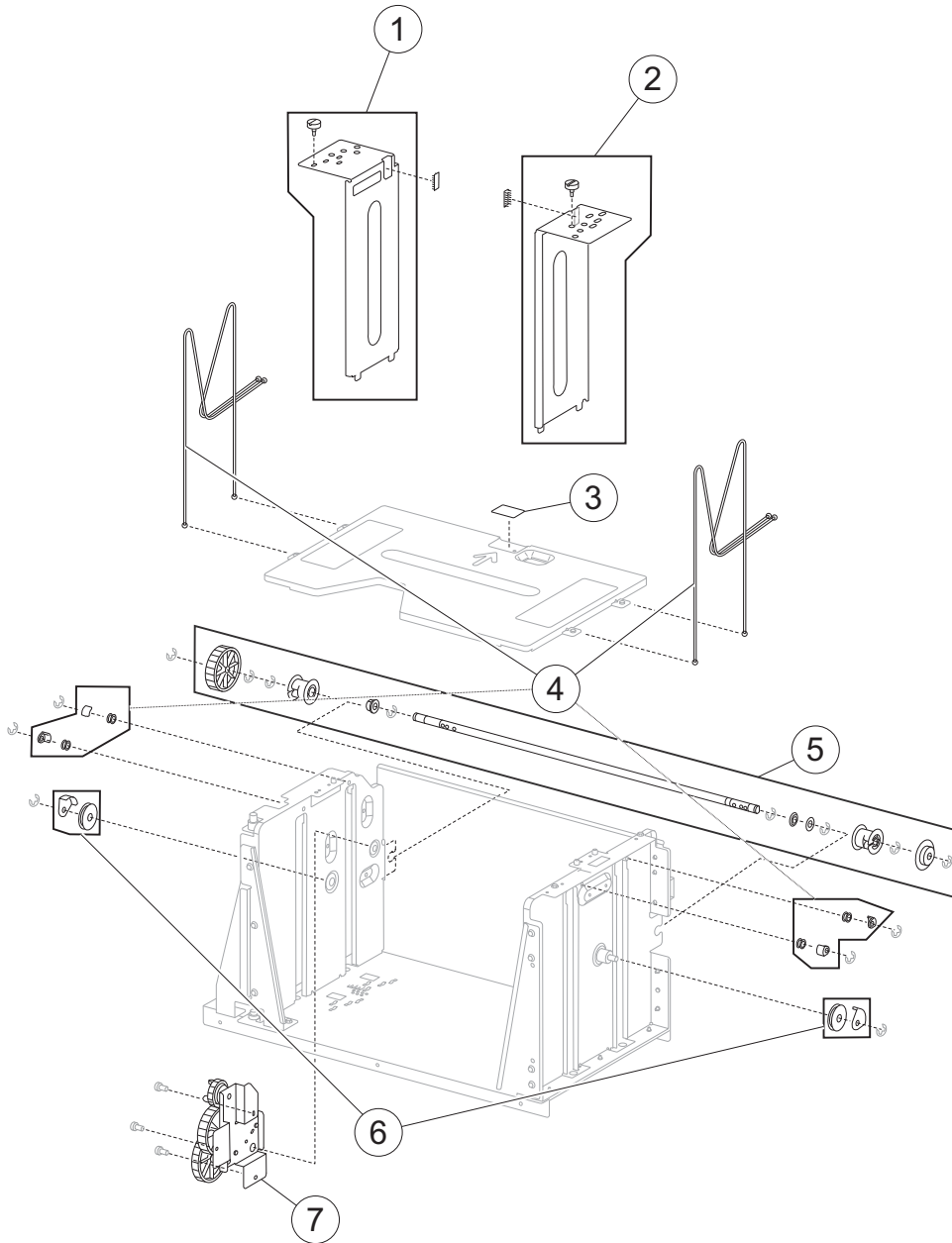
Previous



Next



Go Back



**Assembly 84 (continued): High capacity feed (HCF)—media tray lift**

Asm-index	Part number	Units/mach	Units/FRU	Description
4	40X0757	1	12	HCF lift cable kit includes: <ul style="list-style-type: none"> <li>• Lift cable (4)</li> <li>• Lift cable pulley (4)</li> <li>• Lift cable guide (4)</li> </ul>
5	40X0754	1	7	HCF media tray lift shaft kit includes: <ul style="list-style-type: none"> <li>• Bushing 8 mm front</li> <li>• HCF media tray lift shaft</li> <li>• Bushing 8 mm rear</li> <li>• Washer</li> <li>• HCF media tray lift shaft cable pulley</li> <li>• HCF media tray lift shaft gear 10T</li> <li>• HCF media tray lift shaft gear 51T</li> </ul>
6	40X0756	2	2	HCF lift cable large pulley kit includes: <ul style="list-style-type: none"> <li>• HCF lift cable large pulley</li> <li>• HCF lift cable large guide</li> </ul>
7	40X0753	1	1	HCF media tray lift gear bracket

Previous

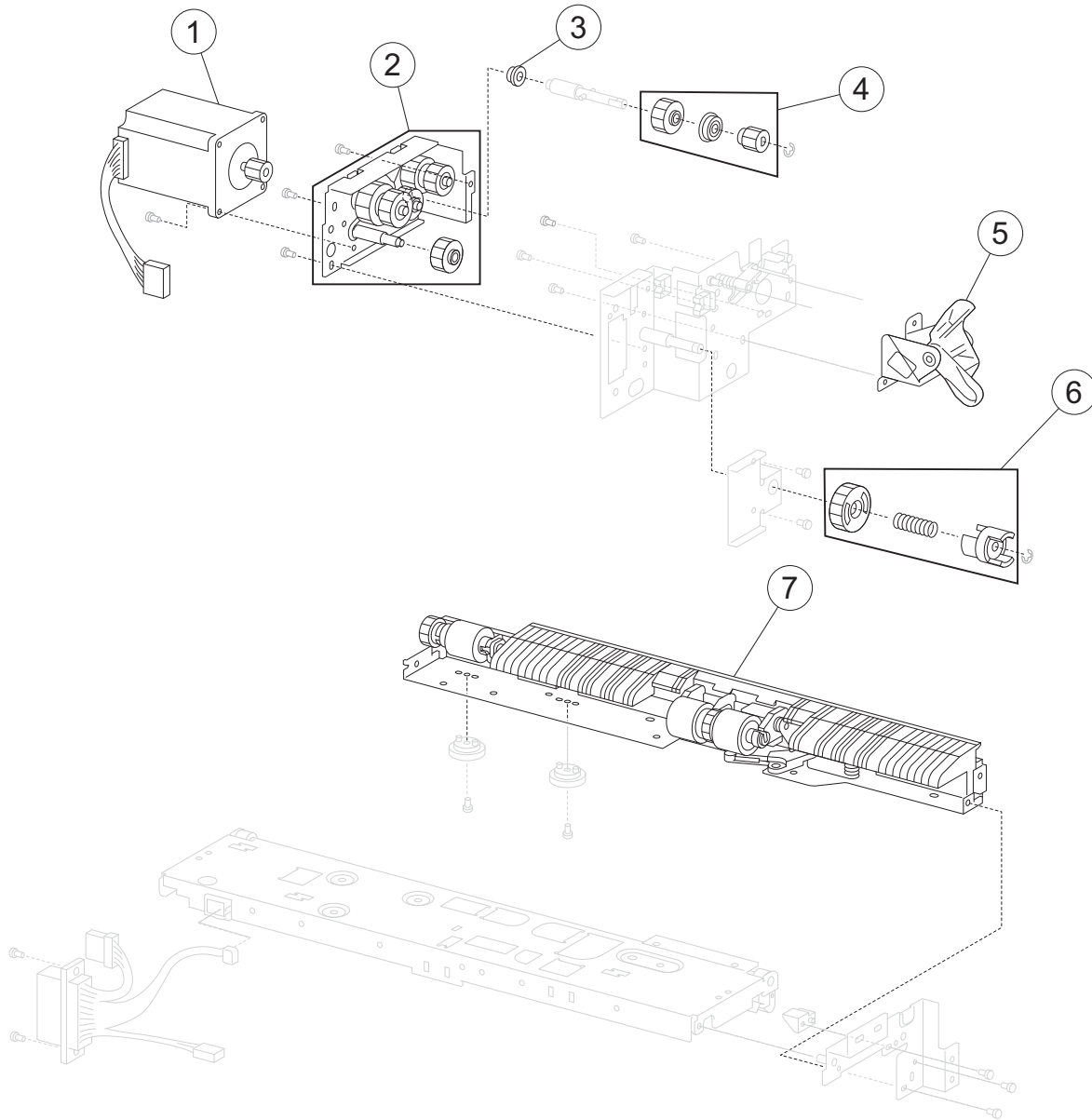


Next



Go Back

# Assembly 85: High capacity feed (HCF)—media feed unit 1



Previous



Next



Go Back



## Assembly 85: High capacity feed (HCF)—media feed unit 1

Asm-index	Part number	Units/mach	Units/FRU	Description
85-1	40X0759	1	1	HCF feed lift motor
2	40X0760	1	1	HCF feed lift gear bracket
3	40X0913	1	1	Ball bearing 6 mm
4	40X0761	1	3	HCF separation drive gear kit includes: <ul style="list-style-type: none"> <li>• HCF separation drive gear 25T</li> <li>• Bushing 6 mm</li> <li>• HCF separation drive gear 19T</li> </ul>
5	40X6790			HCF pick roller raise lever
6	40X0763	1	3	HCF media tray lift coupling kit includes: <ul style="list-style-type: none"> <li>• HCF media tray lift coupling gear 40T</li> <li>• Spring</li> <li>• HCF media tray lift coupling</li> </ul>
7	40X0771	1	1	HCF separation roller shaft assembly

Previous



Next



Go Back

# Assembly 86: High capacity feed (HCF)—media feed unit 2

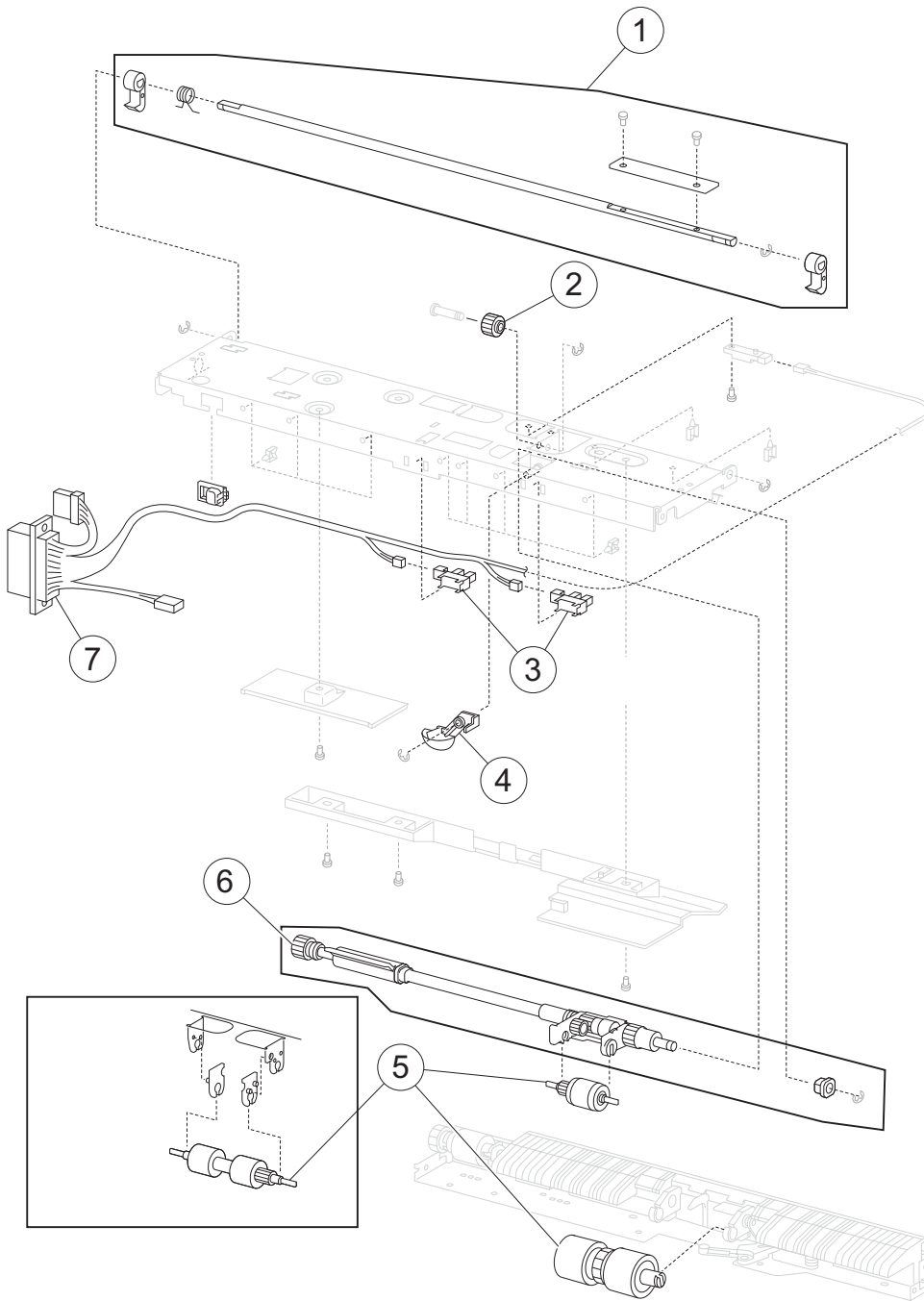
Previous



Next



Go Back



**Assembly 86: High capacity feed (HCF)—media feed unit 2**

Asm-index	Part number	Units/mach	Units/FRU	Description
86-1	40X0764	1	5	HCF feed unit latch kit includes: <ul style="list-style-type: none"> <li>• HCF feed unit latch</li> <li>• Spring</li> <li>• HCF feed unit latch shaft</li> <li>• HCF feed unit latch cover</li> </ul>
2	40X0765	1	1	HCF pick roller idler gear
3	40X0768	1	1	Sensor (tray 5 media out)
3	40X0768	1	1	Sensor (tray 5 media level)
4	40X0767	1	1	HCF media out actuator
5	40X0770	1	3	HCF feed unit roller kit includes: <ul style="list-style-type: none"> <li>• Feed roller</li> <li>• Pick roller</li> <li>• Separation roller</li> </ul>
6	40X0769	1	2	HCF pick roller shaft kit includes: <ul style="list-style-type: none"> <li>• HCF pick roller shaft assembly</li> <li>• Bushing 6mm</li> </ul>
7	40X0766	1	1	HCF feed unit cable assembly

Previous



Next



Go Back

## Assembly 87: High capacity feed (HCF)—top door and transport

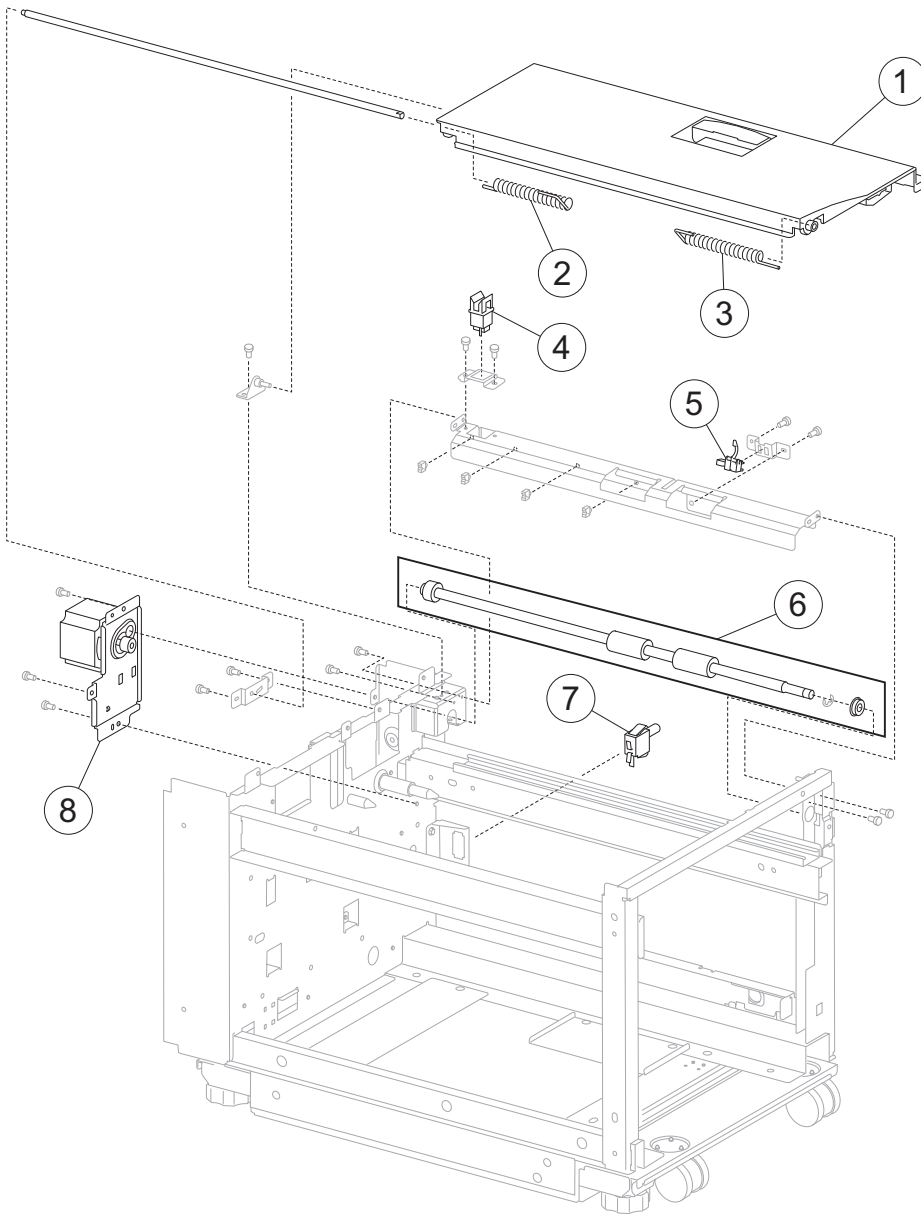
Previous



Next

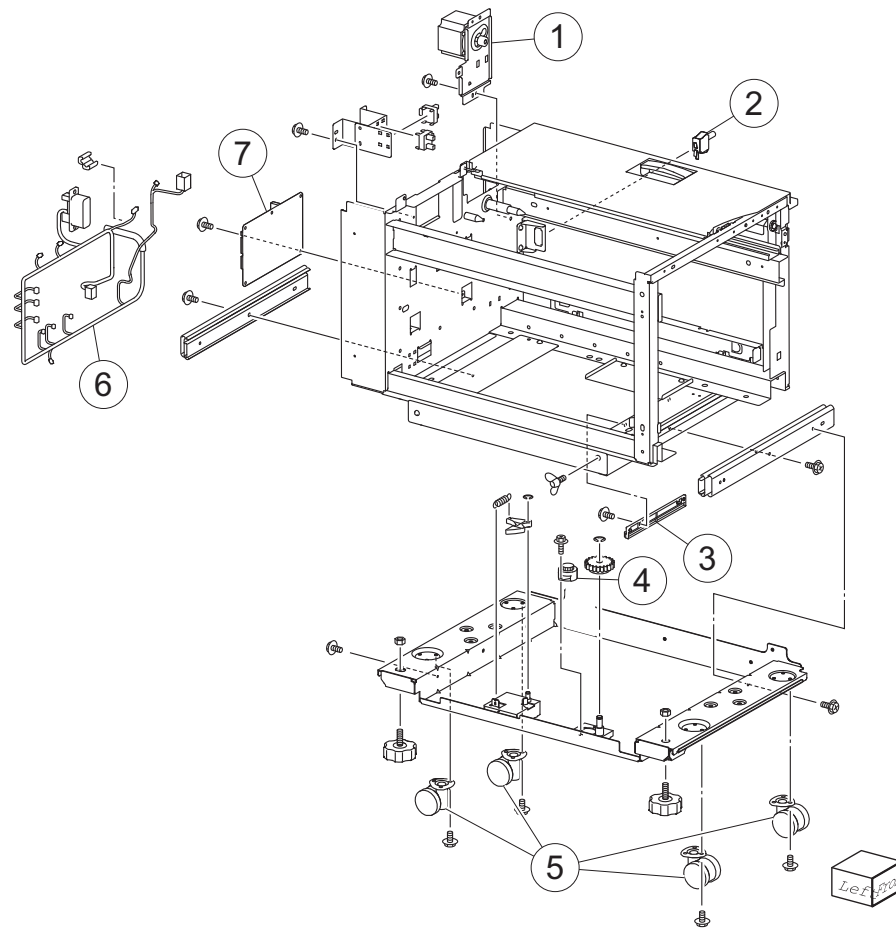


Go Back



Asm-index	Part number	Units/mach	Units/FRU	Description
87-1	40X7471			HCF top door
2	40X7440			HCF top door rear spring
3	40X7450			HCF top door front spring
4	40X0553	1	1	Sensor (HCF top door interlock)
5	40X0774	1	1	Sensor (tray 5 feed out)
6	40X0775	1	2	HCF media transport roller kit includes: <ul style="list-style-type: none"> <li>• HCF media transport roller assembly</li> <li>• 8mm ball bearing</li> </ul>
7	40X0777	1	1	Sensor (HCF unit docking interlock)
8	40X0776	1	1	HCF transport motor

## Assembly 88: High capacity feed (HCF)—drive and electrical



Previous



Next



Go Back

Asm-index	Part number	Units/mach	Units/FRU	Description
88-1	40X0776	1	1	HCF transport motor
2	40X0777	1	1	Sensor (HCF unit docking interlock)
3	40X6792	1	1	HCF rack gear
4	40X6793	1	1	HCF sliding damper
5	40X0741	1	1	HCF caster
6	40X0779	1	1	HCF main cable
7	40X6791	1	1	HCF controller card PCBA

**Assembly 89: Miscellaneous**

Asm-index	Part number	Units/FRU	Description
NS	40X5301	1	256MB memory option
NS	40X5302	1	512MB memory option
NS	40X5303	1	1GB memory option
NS	40X7058	1	160GB hard drive
NS	40X5704	1	256MB flash memory
NS	40X7514	1	Bar code card assembly (Lexmark C950)
NS	40X7511	1	IPDS card assembly (Lexmark C950)
NS	40X7508	1	PRESCRIBE card assembly (Lexmark C950)
NS	40X7512	1	IPDS card assembly (Lexmark C950)
NS	40X7051	1	PrintCryption card assembly
NS	40X5969	1	Korean font card
NS	40X5970	1	Simplified Chinese font card
NS	40X5971	1	Traditional Chinese font card
NS	40X5972	1	Japanese font card
NS	40X6337	1	Arabic font card
NS	40X4826	1	MarkNet N8120 gigabit ethernet print server
NS	40X4827	1	MarkNet N8130 fiber ethernet print server
NS	40X7062	1	MarkNet N8250 802.11b/g/n wireless print server (US/Americas)
NS	40X7063	1	MarkNet N8250 802.11b/g/n wireless print server (rest of the world)
NS	40X4819	1	RS-232C serial interface card
NS	40X4823	1	Parallel 1284-B interface card
NS	40X1367	1	10-Foot parallel printer cable
NS	40X1368	1	2-meter USB printer cable
NS	40X7540		160K maintenance kit
NS	40X7550		320K maintenance kit (110V)
NS	40X7568		320K maintenance kit (100V)
NS	40X7569		320K maintenance kit (220V)
NS	40X7560		480K maintenance kit
NS	40X0271	1	UK straight power cord
NS	40X0301	1	Australia 8ft straight power cord
NS	40X3609	1	Japan power cord
NS	40X1792	1	Korea power cord
NS	40X0303	1	PRC power cord
NS	40X1791	1	Taiwan power cord
NS	40X7104	1	USA power cord
NS	40X0288	1	Argentina power cord

Previous



Next



Go Back

**Assembly 89 (continued): Miscellaneous**

Asm-index	Part number	Units/FRU	Description
NS	40X3141	1	Spain 8ft straight power cord
NS	40X4596	1	Brazil power cord
NS	40X0273	1	Chile Uruguay power cord
NS	40X0275	1	Israel power cord
NS	40X1773	1	South Africa power cord
NS	40X1772	1	Switzerland power cord
NS	40X6306	1	UICC to display cable
NS	40X6963	1	CAC card reader
NS	40X6964	1	Small CAC card reader case
NS	40X6965	1	Large CAC card reader case

Previous



Next



Go Back

Previous



Next



Go Back